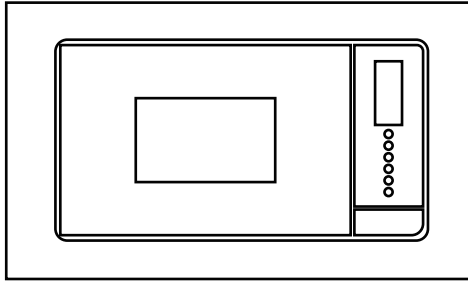


MODEL: RO-MB2508-BT



**Microwave Oven
Operation/Installation Manual**

Rinnai

CONTENTS

Intended Use	Page 1
Safety Information	Page 2
Appliance Description	Page 5
Specification	Page 7
Operating Instructions	Page 8
Care of Microwave oven	Page 10
Component List Installation	Page 11



IMPORTANT

To register your product warranty, please paste the serial numbers stickers enclosed with the packaging on your warranty card.

Please contact your local Rinnai After Sales Service Center should you require further assistance.

Intended Use

Please read this user manual thoroughly before attempting to use this appliance for the first time. This manual contains important information on safe installation, use and care of the appliance. Keep these instructions for reference and pass them on to future user.

This appliance can only be used safely if it is correctly installed according to the safety instructions. The installer is responsible for ensuring that the appliance works correctly at its installation location.

This appliance may be used by children over the age of 8 years old and by persons with reduced physical, sensory or mental capacity or by persons with a lack of experience or knowledge if they are supervised by someone who is responsible for their safety or have been instructed in how to use the appliance safely and have understood the risks involved in not using it properly.

Children must not play with the appliance. Cleaning and user maintenance must not be performed by children unless they are over 15 years of age and are supervised. Keep children below the age of 8 years old at a safe distance from the appliance and power cable.

Check the appliance for damage after unpacking it. Do not connect the appliance if it has been damaged during transport.



The manufacturer is not liable for any damage which is caused by improper use or incorrect operation.

Safety Warnings

When using electrical appliance, basic safety precautions should be followed. Read all instructions before using the appliance, to reduce the risk of burns, electric shock, fire, injury to persons or exposure to excessive microwave energy.

Unpacking

- Do not use the appliance if there are obvious signs of transportation damage.
- If the power supply cord is damaged, it must be replaced by the manufacturer, its service agent or qualified technician to avoid hazard.
- Ensure that young children do not play with plastic bag packaging.
- It is particularly important that the oven door closes properly. Do not operate the microwave if
 - a) door is warped
 - b) door hinges and latches are loose or broken
 - c) door seals and oven cavity are buckled or deformed
 - d) holes and cracks are visible in the door or oven interior walls

For the user

- This appliance is for home food preparation only and should be used only for heating, cooking and defrosting food and beverage. It is not suitable for commercial, laboratory use or heating therapeutic devices.
 - This appliance may be used by children over the age of 8 years old and by persons with reduced physical, sensory or mental capacity or by persons with a lack of experience or knowledge if they are supervised by someone who is responsible for their safety or have been instructed in how to use the appliance safely and have understood the risks involved in not using it properly.
 - Children must not play with the appliance. Cleaning and user maintenance must not be performed by children unless they are over 15 years of age and are supervised. Keep children below the age of 8 years old at a safe distance from the appliance and power cable.
 - The door safety lock prevents the microwave oven from operating when the door is open. Do not tamper with them or operate this appliance with the door open as open door can result in microwave leakage and cause hazard to the user.
- Warning:** Operating the appliance with this type of damage will result in microwave leakage and present a hazard to user.
- Always open the microwave oven door carefully as hot steam may escape.
 - The temperature of accessible surfaces may be high when the appliance is in operation. Cookware, grilling rack and turntable may become hot during use. Always use heat-resistant oven gloves to avoid burns.
 - Be careful when removing a lid or cover from cookware to avoid steam burns.
 - Do cover any food left in the appliance to be kept hot as moisture from the food corrosion damage to the oven cavity. Covering the food also prevents the food from drying out.
 - Do not use full power to warm empty cookware.
 - Do not force the turntable to rotate by hand. This may cause malfunctioning.
 - Do not use the cavity for storage purposes.
 - Do not obstruct air vents located on the ovens.
 - Never use a steam cleaner to clean the appliance. The steam could reach the electrical components and result in a short circuit.
 - To reduce the risk of fire in the oven cavity:
 - a) Do not overcook food.
 - b) Do not heat oil or fat for deep frying. Do not leave the food unattended when cooking with oils as these can be a fire hazard if overheated.

- c) Do not leave the oven unattended when reheating or cooking food in disposable containers made of plastic, paper or other combustible materials.
 - d) Remove wire twist-ties from paper or plastic bags before placing bag in the oven.
 - e) Do not heat undiluted alcohol in the microwave oven as this can easily ignite.
 - f) If materials inside the oven should ignite, or smoke is observed, keep oven door closed. Switch off or unplug the appliance immediately. Do not open the door until the smoke has dispersed.
Always keep the inside of the oven clean. Build-up grease may overheat and begin to cause smoke or ignite.
- Installation and repair should only be attempted by qualified technician.
 - It is dangerous to modify any part of this appliance. Tampering with electrical connections or mechanical parts can cause operation faults and may put the user at risk.
 - Multiple plugs and extension cables must not be used. Overloading is dangerous and may cause a fire hazard.
 - Always disconnect the power supply cord before carrying out any cleaning or maintenance work on the appliance.

Technical Safety

- Before setting up the appliance, check it for external visible damage. Do not install or attempt to use a damaged appliance.
- Do not operate the microwave if the door, hinges or door seals are damaged. Operating the appliance will result in microwave leakage and may cause hazard to the user.
- Ensure that the power supply cord does not run under the oven and is free from heat source or sharp objects.
- Before connecting the appliance to the power mains, make sure that the voltage and frequency corresponds to the rating as shown on the rating plate attached to the appliance.
- This oven requires 1.5KVA for its input. Consultation with service engineer is suggested when installing the oven.
- The electrical safety of this appliance can only be guaranteed if the appliance is correctly earthed. Use an electrical connector with earth that is correct for your location. The electrical connection of this appliance must be connected to earth (where applicable): Green & Yellow=EARTH; Blue=NEUTRAL; Brown=LIVE. The basic safety requirement should be tested and inspected by a qualified technician. The manufacturer cannot be held liable for any damages due to inadequate earthing system.

Disposal

- This appliance and its packaging are environmentally friendly and recyclable. Please help us to care for the environment by disposing the packaging in a proper manner and recycling any old appliances.
Before disposing an old appliance, disconnect it from the power supply and cut the power supply cord to prevent hazards.

The manufacturer will not be held liable for any damages resulting from improper installation nor failure to adopt proper safety measures during installation and operational use of the appliance.

Instructions for General Use

When using the appliance, certain rules are to follow and safeguards to assure top performance from this microwave oven:

- Do not use the oven when empty. This could damage the oven.
- Do not use the oven cavity for any type of storage, such as papers, cookbooks, etc.
- Do not use the oven cavity for any type of storage, such as papers, cookbooks, etc.
- Do not cook any food surrounded by a membrane, such as egg yolks, potatoes, chicken livers, etc without first being pierced several times with a fork.
- Do not insert any object into the openings on the outer case.
- Do not at any time remove parts from the oven such as the feet, coupling, screws, etc.
- Place food in/on proper cooking utensil before placing in the oven.
- Do not attempt to deep fry foods in this oven.
- Please remember that a microwave oven only heats the liquid in a container rather than the container itself. Therefore, even though the lid of a container is not hot to the touch when removed from the oven, please remember that the food/liquid inside will be releasing the same amount of steam and/or spitting when the lid is removed as in conventional cooking.

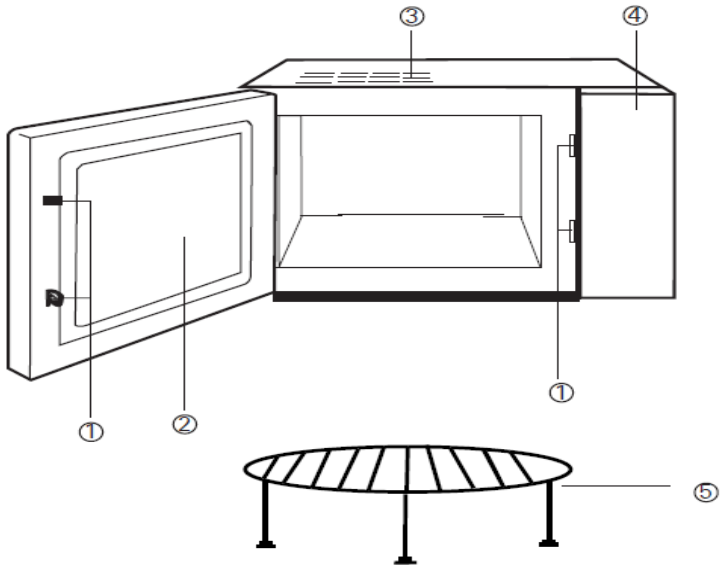
Suitable cooking utensils for microwave ovens

- To cook or defrost food in a microwave oven, the microwave energy must be able to pass through the cooking utensils to penetrate the food.
- The material and shape of containers affect cooking results and durations. Heat distribution is more even in round/oval shaped containers than in square/oblong containers as the food in the corners tend to overcook.
- Below is a general guide to selecting suitable utensil

Utensil
Microwave
Gril
Combination

Utensil	Microwave	Gril	Combination
Heat-Resistant Glass	Yes	Yes	Yes
Non Heat-Resistant Glass	No	No	No
Heat-Resistant Ceramics	Yes	Yes	Yes
Microwave Safe Plastic Dish	Yes	No	No
Kitchen Paper	Yes	No	No
Metal Tray	No	Yes	No
Metal Rack	No	Yes	No
Aluminum Foil & Foil Container	No	Yes	No

Appliance Description



① Door Safety Lock System

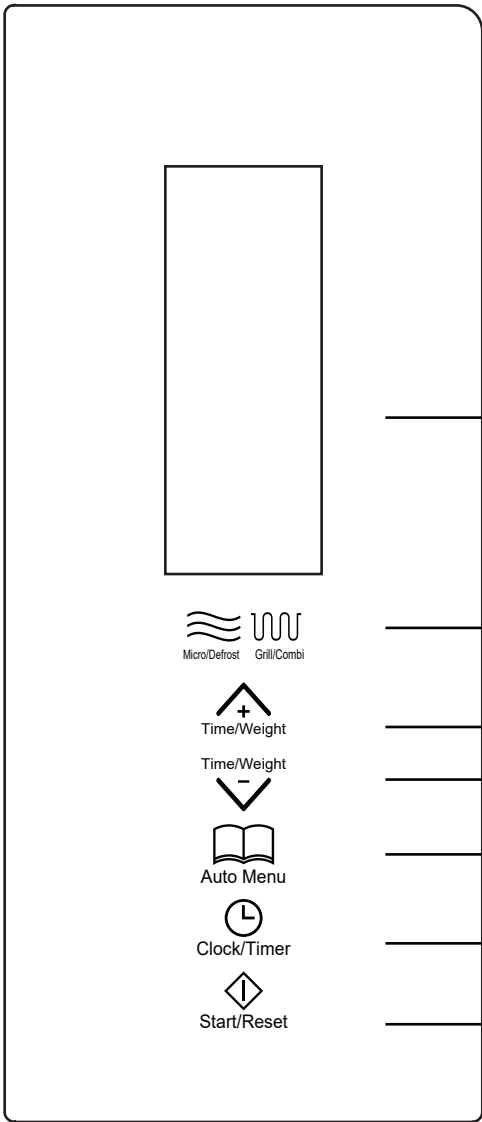
④ Control Panel

② Oven Window

⑤ Grill Rack

③ Oven Air Vent

Control Panel



(1) DISPLAY WINDOW



(2) MICROIDEFROST/GRILL/COMBI



(3) TIME/WEIGHT UP



(4) TIME/WEIGHT DOWN



(5) AUTO MENU



(6) CLOCK/TIMER



(7) START/RESET

Specification

Model	RO-MB2508-BT
Power Consumption	220-240V – 50Hz, 1400W
Output	900W
Grill Heater	1200W
Operating Frequency	2450MHz
Outside Dimensions	595mm(W) x 382mm(D)x390mm(H)
Oven Cavity Dimensions	348mm(W)x334mm(D)x213mm(H)
Weight	Approx. 18.1Kg
*The manufacturer reserves the right to effect any technological improvement or modification without prior notice.	

Operation

Setting the Clock

The oven has a 24-hour digital clock.

To input the time, for example to 4:30pm:

- a) Press "Clock/Timer", the display will flash. Adjust the hour with buttons "Time/Weight +" and "Time/Weight -".
- b) Press "Clock/Timer" again. Adjust the minute with buttons "Time/Weight +" and "Time/Weight -".
- c) Press "Clock/Timer" again and the clock will be set.
- d) If you want to change the time, repeat above procedure.

Single Button Heating

Only with a single press of a button, you can start simple cooking. It is very convenient and quick to heat items such as a glass of water etc.

Example: To heat a glass of milk

- a) Put a glass of milk onto the microwave oven flatbed and close the door.
- b) Press the button "Start/Reset", the microwave oven will work on P100 power for 1 minutes.
- c) You will hear 5 beeps when cooking is completed.

Microwave Heating

This function has two options.

- 1) Quick microwave heating (P100 power)
Example: To heat food on P100 power for 5 minutes
 - a) Set time to "5:00"
 - b) Press "Start/Reset"
- 2) Manual-operation microwave heating
Example: To heat food on P70 power for 10 minutes
 - a) Press "Micro/Defrost/Grill/Combi" button, select "P70" Power;
 - b) Set time to "10:00"
 - c) Press "Start/Reset"

The longest microwave heating time is 60 minutes. Microwave power has 5 settings, and its P100, P70, P50, P30 and P10 from high to low power.

Auto Weight defrost

Select the food weight, it will automatically help you to adjust the power level and time.

Example: Defrost 0.5kg frozen meat

Press "Micro/Defrost/Grill/Combi" to select "dEF"

- a) Input the weight by pressing the button "Time/Weight +" and the button "Time/Weight -".
- b) Press "Start/Reset".
The weight of meat must be less than 2kg. Each step is 0.1kg.

Auto-Menu

You only need to select the food type and weight; it will help you to automatically adjust the power and time.

Example: Auto cooking 0.4kg fish

- a) Press "Auto Menu" button until "A-5" displayed.
- b) Input the weight by pressing the button "Time/Weight +" and the button "Time/Weight -", until "0.40" displayed.
- c) Press "Start/Reset".
- d) The cooking time will be displayed and started

- a) Press "Micro/Defrost/Grill/Combi" until the LED displayed "C-1"
- b) Set cooking time for "15:00"
- c) Press "Start/Reset"

kg

Menu Weight Touching Times	A-1 (Rice)	A-2 (Vegetable)	A-3 (Meat)	A-4 (Spaghetti)	A-5 (Fish)	A-6 (Chicken)
	1	0.1	0.1	0.2	1	0.1
2	0.2	0.2	0.3	2	0.2	0.4
3	0.3	0.3	0.4		0.3	0.6
4	0.4	0.4	0.5		0.4	0.8
5	0.5	0.5	0.6		0.5	1.0
6		0.6	0.8		0.6	1.2
7			1.0		0.7	1.4
8					0.8	1.6
9					0.9	1.8
10					1.0	2.0

Remark: Noodle in marked by lot, Each lot is around 0.1-0.15 kg

Grill

This function has two patterns, you may press "Micro/Defrost/Grill/Combi" to select such functions:

The longest cooking time is 60 minutes.

Grill power has 2 settings, and its G-1 and G-2 from high to low power.

Example: Cooking food with grill for 20 minutes

- a) Press "Micro/Defrost/Grill/Combi" until the LED displayed "G-1".
- b) Set cooking time "20:00"
- c) Press "Start/Reset"

During grilling, food is not heated by microwaves but by radiant heat from the top heating element.

When grill is working, the cooking time has 2 stages, after the 1st half of the cooking, the program will automatically pause and sound 2 beeps, indicating you to open the oven and turn food over, close the door after turn the food over, press "Start/Reset" button, the cooking will continue for the 2nd half. If you do not want to turn the food over, the oven will restart after 1 min pause.

Combination Cooking

This appliance offers you a choice of two methods of combination cooking.

Combi power has 2 settings, taking the reference of microwave power. It's C-1 and C-2 from high to low power.

Example: Cooking food using C-1 for 15 minutes.

Timer

This allows you to set the microwave oven start and finish cooking at pre-set time. The clock must be set before you use this feature.

Example: The current time is 16:30 and you want to start cooking at 18:15 on P70 power for 10 minutes:

- a) Press "Clock/Timer", set the time to "18:15" by pressing "Time/Weight +" and "Time/Weight -" buttons, (same procedure as setting clock)
- b) Press "Micro/Defrost/Grill/Combi" to select "P70" power.
- c) Set cooking time for 10 minutes.
- d) Press "Start/Reset"

If you do not set the power and cooking time and directly press the start button once you have programmed the time, the appliance will only work as a clock.

At 18:15, there will be 10 beeps and the appliance will be switched off.

Child-Safety-Lock

Under standby situation, to activate the child safety lock, press "Auto Menu" and "Clock/Timer" at the same time for 2 seconds. Press "Auto menu" and "Clock/Timer" at the same time for 2 seconds again, it will unlock the oven.

Start / Reset

- a) During operation, pressing "Start/Reset" button will stop operation.
- b) If any program was set before pressing start, pressing this button will cancel all the set program.

Care Of Your Microwave Oven

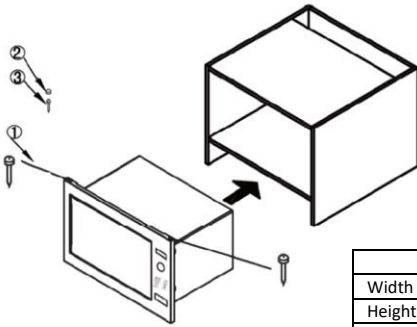
Turn the oven off and remove the power plug from the wall socket before cleaning.

1. Keep the inside of the oven clean. When food splatters or spilled liquids adhere to oven walls, wipe with a damp cloth. The use of harsh detergent or abrasives is not recommended.
2. The outside oven surface should be cleaned with a damp cloth. To prevent damage to the operating parts inside the oven, water should not be allowed to seep into the ventilation openings.
3. Do not allow the control panel to become wet. Clean with a soft, damp cloth. Do not use detergents, abrasives or spray on cleaners on the control panel.
4. If steam accumulates inside or around the outside of the oven door, wipe with a soft cloth. This may occur when the microwave oven is operated under high humidity conditions and in no way indicates malfunction of the unit.
5. It is occasionally necessary to remove the glass tray for cleaning. Wash the tray in warm sudsy water or in a dishwasher.
6. The oven cavity floor should be cleaned.
7. Wipe regularly to avoid excessive noise. Simply wipe the bottom surface of the oven with mild detergent, water or window cleaner and dry.
8. Remove odours from your oven by combining a cup of water with the juice and skin of one lemon in a deep microwavable bowl. Microwave for 5 minutes, wipe thoroughly and dry with a soft cloth.
9. Do not attempt to replace the oven light by a non-qualified technician. Please contact your local Rinnai Customer Care Service for service.
10. Wash and dry the grilling rack after each use. It can be washed by hand or dishwasher. Soak in hot soapy water to remove stubborn grease. Clean with a brush or sponge.

Installation

- Remove all packing materials and accessories supplied.
- Check that the appliance is free from damage.

Built in kit

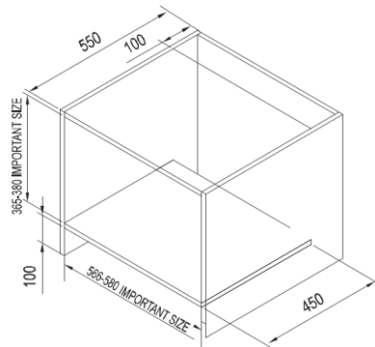
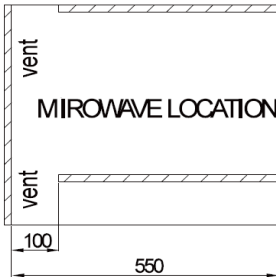


Components	Dimension	Qty
Bolt	Φ3x20mm	2 pcs
Screw cover		1 pcs
Bolt	Φ4x45mm	1 pcs

Trim Kit Specifications

	Cavity Dimensions	Frame Dimensions
Width	566-580mm	595mm
Height	365-380mm	390mm
Depth	550mm	20mm

Microwave Oven Cabinetry

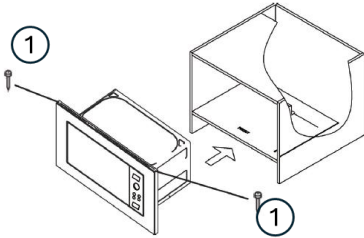


Cabinet measurement requirements (illustrated above):

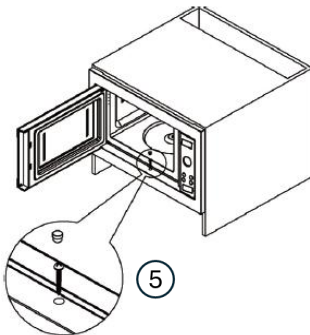
1. Cabinet's inner dimension in transverse direction is 566-580mm.
2. This is the minimum distance from the left batten to right batten. Do not alter.
3. Cabinet's depth should be less than 550mm
4. Outside dimension of cabinet should be no less than 596mm, as the frame length is 595mm
5. The thickness of the cabinet's board must be at 15mm - 20mm.

Installation

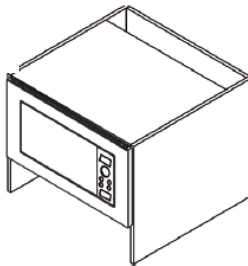
Frame Installation Steps



- (1) Put the microwave oven into the cabinet and keep the microwave oven in a horizontal direction and keep the edge distance of two side as same. Then fix the bolt (component 1) on the top of microwave oven and beat it into the cabinet.



- (2) Open the microwave oven, fix the bolt (component 5) and beat it to the cabinet.



Rinnai Customer Care Centres

China | 中国

Guangzhou Rinnai Gas & Electric
Room 2805, No.31 Jianghe Building,
Tianshou Road, Guangzhou, China
广州林内燃气电器有限公司
中国广州天河区天寿路 31 号江河大厦 2805 室
Tel 电话 : (86) 20 3821 7976
Email 邮箱 : grrjdq@gzrinnai.com.cn
URL 网址 : www.gzrinnai.com.cn

Indonesia

PT. Bhakti Idola Tama
Jl. Raya Perjuangan No.21
Komp. Ruko Sastra Graha No.11-13
Jakarta 11530
Tel : (62) 0800 1 889 889 (Customer Care) /
(0815 112 99999 (SMS Center)
Email: customercare_bit@yahoo.com
URL: www.rinnai.co.id

Macau | 澳門

Rinnai Appliance Service Center
Nam Kwong Petroleum & Chemicals Co., Ltd
Avenida do Dr. Rodrigo Rodrigues, Nam Kwong
Building, 17/F, Macau
Phone 電話 : (853)83911712
Fax 傳真 : (853)28330856
URL 网址 : www.rinnai.com.hk/mo

Malaysia

Rinnai (M) Sdn Bhd
Unit 2-8, Subplace Boulevard, Pusat Komersil Vestland,
No. 6, Jalan Juruanalisis U1/35,
Seksyen U1,
40150 Shah Alam,
Selangor, Malaysia.
Fax +603-5038 8905
Toll free:1800-88-8180
Email: customercare@rinnai.com.my
URL : www.rinnai.com.my

Myanmar | မြန်မာ

Myanmar Kowa International Co., Ltd
No.199, Ground Floor, 34th Street (Upper Block),
Kyauktada Township, Yangon, Myanmar
အမှတ် (၁၉၉) ဥက္ကဋ္ဌ လမ်း (အပေါ်ဘလောက်)
ကျောက်တံတားမြို့နယ်၊ ရန်ကင်းမြို့။
Tel ဖုန်း : (95-1) 245925 / 246304 / (95-9) 7300 7773
Fax ဖုန်း(၆) : (95-1) 245925
Email အီးမေးလ် : marketing@myanmarkowa.com

Philippines

Mitsui Industria Corporation
10 Buenaventura St., Cor MacArthur
Highway, Dalandan Valenzuela City,
Philippines
Tel : (63) 2 292 9177 / 292 9179
Fax : (63) 2 292 8187

Singapore

Rinnai Holdings (Pacific) Pte Ltd
61 Ubi Road 1 #02-20 & 21
Oxley Bizhub Singapore 408727
Tel : (65) 6748 9478
Fax : (65) 6745 9240
Email : service@rinnai.sg
URL : www.rinnai.sg

Thailand | ประเทศไทย

Rinnai (Thailand) Co., Ltd. / Lucky Flame Co., Ltd.
61/1 Soi Kingkaew 9, Kingkaew Rd.
Racha Thewa, Bangphli, Samutprakan 10540, Thailand
บริษัท รินไน ประเทศไทย จำกัด
เลขที่ 61/1 ซอยกิ่งแก้ว 9 ถนนกิ่งแก้ว ตำบลราชาเทวะ
อำเภอเมืองทลิ่ง จังหวัดสมุทรปราการ
ประเทศไทย 10540
Tel : (66) 2 3124330-40
Email : lucky02@luckyflame.co.th
URL : www.luckyflame.co.th

Vietnam | Việt Nam

Rong Viet Commerce Company Limited
120 3/2 Street, Ward 12, District 10,
Ho Chi Minh City, Vietnam
Công Ty TNHH Thương Mại Rõng Việt
120 Đường 3/2, Phường 12, Quận 10,
TP. Hồ Chí Minh, Việt Nam
Tel : (84) 8 3862 3409
Fax : (84) 8 5404 1964
Email : info@rongviet-rinnai.com
URL : www.rongviet-rinnai.com