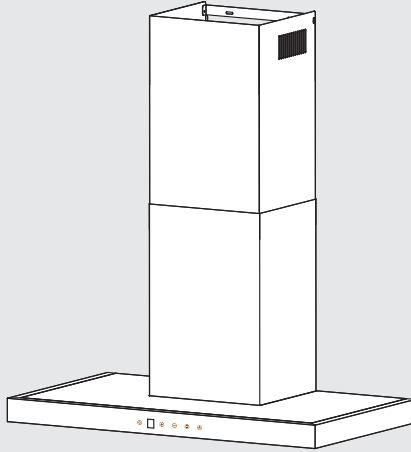


**MODEL:
RH - C95F - SSVR**



**T- Shape Hood
Operation / Installation Manual**

Rinnai

CONTENTS

Safety Warnings	1
Specifications	3
Components	3
Installation	4
Operation	6
Maintenance and Care	7
Troubleshooting	9



IMPORTANT

To register your product warranty, please paste the serial numbers stickers enclosed with the packaging on your warranty card.

Please contact your local Rinnai Customer Care Centre should you require further assistance.

SAFETY WARNINGS

Please read this user manual thoroughly before attempting to use this appliance for the first time. This manual contains important information concerning your personal safety as well as use and care of the appliance.

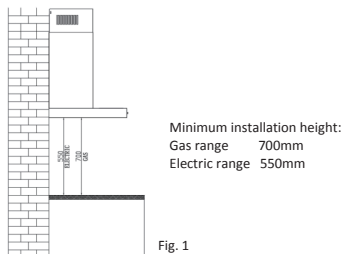
Unpacking

- ▶ Do not use the appliance if there are obvious signs of transportation damage.
- ▶ If the supply cord is damaged, it must be replaced by the manufacturer, its service agent or qualified technical personnel in order to avoid a hazard.
- ▶ Please ensure that young children do not play with plastic bag packaging.

For the Installer

- ▶ The extractor hood can be installed over any gas and electric cooktop. Minimum installation height from the bench top to the bottom of the hood is 700mm (gas range) and 550mm (electric range). (Fig. 1).
- ▶ Always mount the extractor hood over the center of the hob.
- ▶ Ensure that the appliance is installed in a location with good permanent ventilation.
- ▶ When making the electrical connections, check that the mains voltage and frequency corresponds to the technical information shown on the rating plate.
- ▶ Electrical connection must be made in accordance to local standards only. Check that the voltage in your area is correct before plugging in.
- ▶ Use an electrical connector with earth that is correct for your location. The electrical connection of this appliance must be connected to earth (where applicable):
 - Green & Yellow = EARTH;
 - Blue = NEUTRAL;
 - Brown = LIVE
- ▶ Ducted mode:
 - Connect the extractor hood to the exhaust duct through a pipe of minimum diameter 150mm. For the most efficient air flow exhaust, use the shortest and straightest duct route possible.
 - Do not connect the extractor hood to exhaust ducts carrying combustion fumes.
 - If the extractor hood is used in conjunction with non-electrical appliances (e. g. gas burning appliances), a sufficient degree of aeration must be allowed in the room to prevent the backflow of exhaust gas. The kitchen must have an opening communicating directly with the open air in order to allow entry of clean air.

Note: The manufacturer accepts no responsibility for complaints attributed to the design and layout of the pipework.



For the User

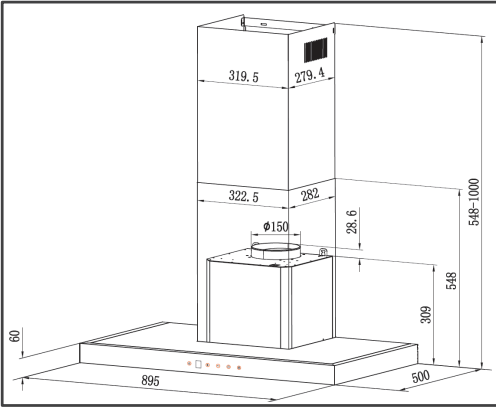
- ▶ The extractor hood is designed for domestic use to eliminate unpleasant odours from the kitchen. Do not use the hood for other uses than its specific purpose.
- ▶ Do not allow young children to play with or operate the appliance. Supervise its use by the elderly or infirm.
- ▶ Installation and repair should be attempted by qualified technical personnel only.
- ▶ It is dangerous to modify any part of this appliance. Tampering with electrical connections or mechanical parts can cause operation faults and may put the user at risk.
- ▶ Never leave high naked flames under the extractor hood when it is in operation. Always cover lit burners with cookware.
- ▶ Do not flambé or grill with an open flame directly under the extractor hood. Flames could be drawn up into the hood by the suction and the grease filters may catch fire.
- ▶ Monitor cooking continuously as overheated oil increases the risk of self-ignition.
- ▶ Do not operate the extractor hood without a grease filter.
- ▶ Always disconnect the unit from the power supply before carrying out any cleaning or maintenance work on the hood, including replacement of light bulbs to avoid the possibility of electric shock.
- ▶ Do replace defective bulbs immediately to prevent the remaining bulbs from overloading.
- ▶ It is important to clean and/or replace the filters at appropriate intervals. Grease deposits build-up increases the risk of fire.
- ▶ Ensure that the power supply chord is free from any heat source or sharp objects.
- ▶ Multiple plugs and extension cables must not be used. Overloading is dangerous and may cause a fire.

Disposal

- ▶ This appliance and its packaging are environmentally friendly and recyclable.
- ▶ Please help us to care for the environment by disposing the packaging in a proper manner and recycling any old appliances.
- ▶ Before disposing an old appliance, disconnect it from the power supply and remove the power cord to prevent hazards.

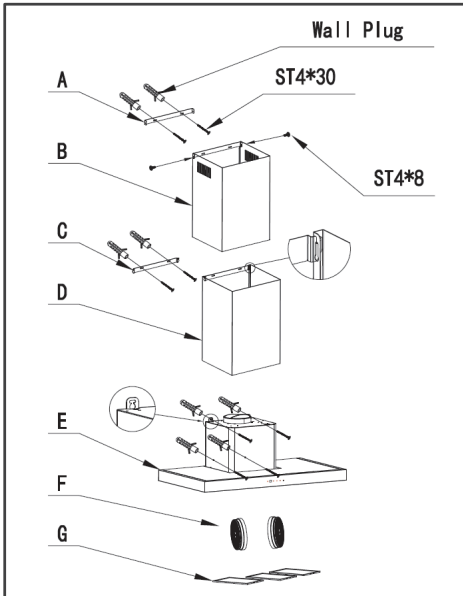
Note: The manufacturer will not be held liable for any damages resulting from improper installation nor failure to adopt proper safety measures during installation and operational use of the appliance.

SPECIFICATIONS



Model :	RH-C95F-SSVR
Power Rating :	300W
Voltage :	220-240V
Power Frequency :	50/60Hz
Power of Lamps :	2 x 1.5W
Length of the cable :	1.5m
Appliance Dimensions :	895 x 500 x 548-1000mm
* The manufacturer reserves the right to effect any technological improvement or modification without prior notice.	

COMPONENTS



Ref	Qty	Product Parts
A	1	Mounting Bracket 1
B	1	Inner Duct
C	1	Mounting Bracket 2
D	1	Outer Duct
E	1	Hood Body
F	2	Charcoal Filter CP120
G	3	Aluminum Grease Filter
Ref	Qty	Installation Accessories
	8	Wall Plugs
	8	Screws ST4 * 30
	2	Screws ST4 * 8
Ref	Qty	Documentation
	1	Installation Manual
	1	1:1 Installation Diagram
	1	Warranty Sticker

Fig. 3

INSTALLATION

This appliance can be installed in ducted or recirculation mode.

Ducted Mode (Fig. 4)

- ▶ In ducted mode, the extractor hood fan extracts the cooking vapours and passes them through the grease filter. The air then flows to the outside.
- ▶ The grease filter absorbs the solid particles in the cooking vapours.
- ▶ In this mode, **only grease filters are installed (charcoal filter is optional)**.



Fig 4

Recirculation Mode (Fig. 5)

- ▶ In recirculation mode, the extractor hood fan extracts the cooking vapours which are purified in the grease filter and charcoal filter.
- ▶ The purified air is then recirculated into the kitchen via a vent opening in the hood.
- ▶ The grease filter absorbs the solid particles in the cooking vapours.
- ▶ The charcoal filter is designed to absorb cooking odour.
- ▶ In this mode, **both grease filters and charcoal filters are installed**.



Fig 5

Connection to Exhaust Air Pipe (Fig. 6)

- ▶ Attach Ø150mm pipe directly to the air outlet and secure appropriately (Fig. 6)
- ▶ If using Ø120mm pipe, connect to the air outlet using a reducing connector (not provided).
- ▶ Secure both joints appropriately (Fig. 6. 1).
- ▶ Connect pipe to the outdoor duct.



Fig 6

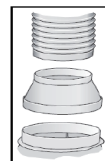


Fig 6.1

Mounting

Do ensure that the appliance is mounted on a solid surface which could withstand the appliance's weight.

Step 1 (Fig. 7)

- ▶ Determine where the extractor hood should be positioned and lightly mark where the lower edge of the appliance should be on the wall. Determine where the middle should be based on the hob.
- ▶ Place the template against the line drawn on the wall and tape it in place. Mark where the screws should be inserted.
- ▶ Drill 8mm diameter holes to a depth of 40mm for fastening the appliance, remove the template and press in the wall plugs flush with the wall.

Step 2 (Fig. 8 / Fig. 9 / Fig. 10)

- ▶ Mount the appliance onto the wall and do ensure that it is properly engaged with the mounting screws ③ & ④. (Fig. 8)
- ▶ If there is a need to realign the appliance, adjust the screws on the top of the housing. (Fig. 9)
- ▶ Tighten the screws ③, ④, ⑤, ⑥ firmly after realignment. (Fig. 10)

Step 3 (Fig. 11 / Fig. 12 / Fig. 13)

- ▶ Secure the mounting bracket onto the screws firmly ① & ② and place the flue ducts onto the appliances. (Fig. 11)
- ▶ Slide the outer flue duct section downwards, attached it to the left and right of the retaining bracket to engage it. (Fig. 11)
- ▶ Slide the inner flue duct to the required height and mark where the screws should be inserted and drill 8mm diameter holes to a depth of 40mm and secure the mounting bracket onto the screws provided. (Fig. 12)
- ▶ Use the provided ST4 * 8 screws to attach the inner flue duct on the left and right sides of the bracket. (Fig. 13)

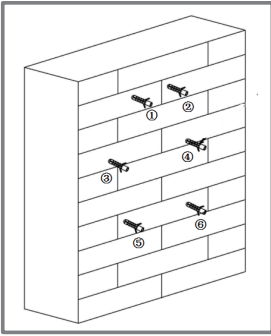


Fig. 7

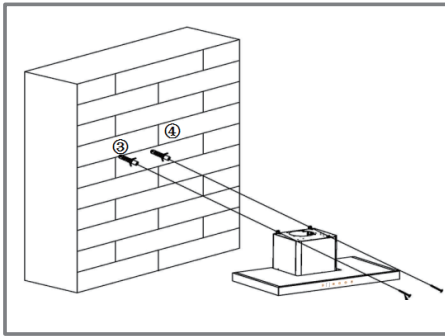


Fig. 8

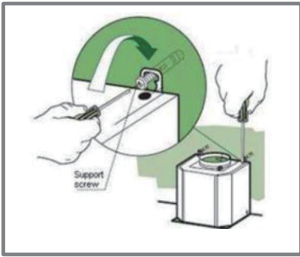


Fig. 9

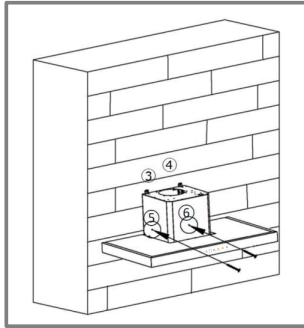


Fig. 10

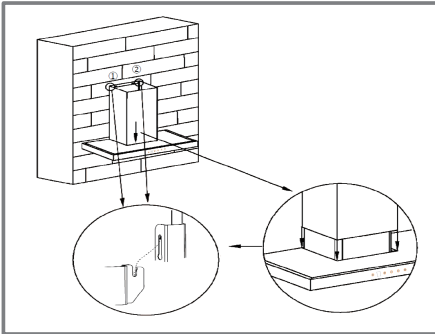


Fig. 11

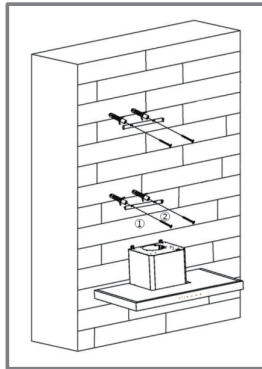


Fig. 12

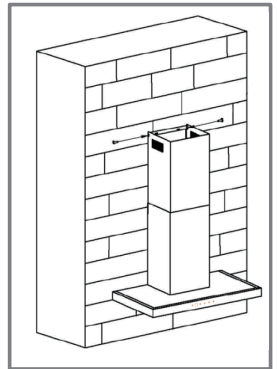
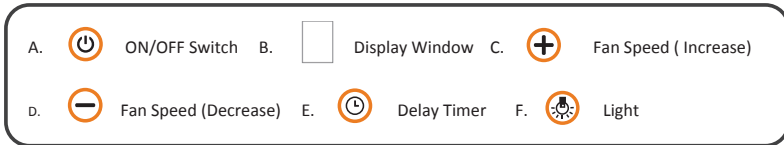












Fig. 13

OPERATION

Note: Touch the sensor buttons gently to operate this appliance.

To achieve better air extraction, it is advisable to switch on the blower a few minutes before starting to cook and leave it on for approximately 15 minutes after cooking (or at least all cooking smell is completely removed).



-  1. When power up the hood, the orange ring standby icon will light up.
-  2. Press to select ON / OFF, the power on icon and the rest of the operation icons will light up.
-  3. Touch to increase the fan speed 1 - 2 - 3 - P.
-  4. Touch to decrease the fan speed P - 3 - 2 - 1.
-  5. Booster: Touch to increase the fan speed to P (high speed). After working for 10 minutes, P speed jump to Speed 3. When working in P, the delay function will not start.
-  6. Touch to select ON / OFF.
-  7. Delay stop timer:
 - Press Fan Speed 1, then press timer icon. Speed 1 will blink for 5 seconds and follow by timer icon blink.
 - Press the Delay Stop Timer icon to select the require stop timing.
(Indication of "1" = 5 mins, "2" = 10 mins, "3" = 15 mins, "4" = 20 mins)
 - After the delay time reach, it will automatically jump to the motor speed display.
To exit the delay function, press the speed button to 0. The delay stop function will exit after 5 seconds.
-  8. Clean and Fresh Function: After power on, press and hold the delay stop timer icon for 3 seconds. You will hear a beep sound. The Function will start after the beep sound. After 5 seconds, all lights will turn off. The timer and the ON/OFF icon will indicate with an orange ring backlight. To disable, press the ON/OFF icons. All function icons will light up. Press the timer icon to disable.
-  9. When the cooker hood has been operated for 90 hours, and orange dot indicator will blink at the bottom right of the display window. This indicator is to remind you to clean grease filters. To cancel the reminder, press and hold the Delay Timer button for 5 seconds, and the operation hours will reset to 0.
-  10. When the cooker hood has been operated for 270 hours, an orange dot indicator will light up solidly at the bottom right of the display window. This indicator is to remind you to change a charcoal filters. To cancel the reminder, press and hold the Delay Timer button for 5 seconds, and the operation hours will reset to 0.

MAINTENANCE AND CARE

Before carrying out any cleaning or maintenance activities, ensure that the appliance is disconnected from the main power supply.

It is important to clean and/or replace the filters at appropriate intervals as grease deposits build-up increases the risk of fire.

Grease Filter (Fig. 14)

- ▶ Grease filters are used to absorb the grease particles formed during cooking process. Do not operate the extractor hood without a grease filter.
- ▶ The filters must be removed and cleaned every time you see the orange indicator blink on the control panel display window or depending on how often the appliance is used. Clean the filter either by hand or in the dishwasher. Take care not to bend the filters during washing.
- ▶ If by hand washing, soak the filters in hot detergent solution (approx. 40°C) to simplify the removal of grease. Brush the filters, rinse thoroughly and leave it to dry before refitting.
- ▶ If by dishwasher, select an appropriate wash program. Leave it to dry before refitting.
Note: a slight discolouration of the filter may occur.
- ▶ Clean the housing for the grease filters by hand only, using warm detergent solution.
- ▶ Removing and inserting the grease filters, please see diagram.
- Insert the bottom of the grease filter into the neck of bottom cover and hold the filter by both hands.
- Press the lock and pull it downward, release the hands and feel the “click sound”. Remove in the reverse step.



Fig. 14

Charcoal Filter (where applicable) (Fig. 15 & Fig. 15.1)

- ▶ The charcoal filters should be replaced when you see the orange indicator light lights up on the control panel display window or if it is noticeably dirty or discoloured, usually after 2 months depending on the conditions of use.
- ▶ These filters are not washable and cannot be restored. To ensure that this appliance functions effectively, regular maintenance is necessary as clogged filters restrict airflow and may cause the motor to overheat.
- ▶ Removing and inserting the charcoal filter, please see diagram.
- Remove the grease filter.
- Remove the saturated charcoal filter from the housing as shown. Turn the charcoal filter anti clockwise and pull down.
- Reverse the procedure when refitting the new charcoal filters.

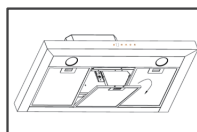


Fig. 15

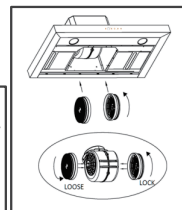


Fig. 15.1

Cleaning the Appliance Body

- ▶ Clean the extractor hood using warm detergent solution and a soft damp cloth. After cleaning, dry it using a lint-free cloth.
- ▶ Avoid using corrosive or abrasive products that could damage the surface.

Cleaning the Oil Cup (Fig. 16 & Fig. 16.1)

- ▶ Remove the grease filter.
- ▶ Remove the oil cup and clean by using warm detergent solution.
- ▶ Leave it to dry before refitting.

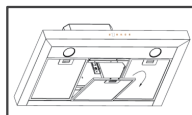


Fig. 16

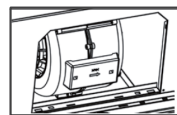


Fig. 16.1

MAINTENANCE AND CARE

Replacing the lamp (Fig. 17 & Fig. 17. 1)

⚠ Ensure that the appliance is disconnected from the main power supply. *Note:* Replace the lamp with another which has the same characteristics as a higher voltage lamp could damage the electrical unit.

- ▶ Remove grease filters and push out the lamp.
- ▶ Disconnect the wire connector from the terminal.
- ▶ Replace damaged lamps and reconnect to terminal.
- ▶ Reverse the procedure for refitting.

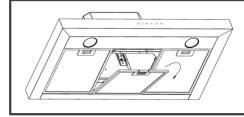


Fig. 17

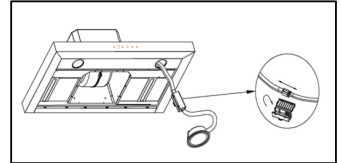


Fig. 17.1

You are strongly recommended to follow these safety instructions. The manufacturer will not be held liable for any damages to the appliance or any fire hazard due to failure to observe the above safety recommendations.

TROUBLESHOOTING

Problem	Possible Cause	Solution
Appliance does not function	▶ No electrical supply	▶ Check that plug is connected and main power switch is turned on
Poor airflow	▶ Grease filters might be clogged with grease build-up ▶ Charcoal filters might be clogged with grease build-up	▶ Clean the grease filters and refit when dry ▶ Replace charcoal filters with new sets
Motor is running but no airflow	▶ Non return valve might be jammed	▶ Please contact Rinnai After Sales Service
Hood suction is not effective	▶ Inadequate ventilation ▶ Charcoal filter are not installed	▶ Ensure that the kitchen is sufficiently ventilated to allow entry of fresh air ▶ Install charcoal filters for setting in recirculation mode
Whirring sound	▶ Foreign object may be in contact with fan blade	▶ Please contact Rinnai After Sales Service
Lightings are not working	▶ Lamps are burnt out ▶ Lamp connection are loose	▶ Replace the lamps ▶ Reset the connection

If problem persists after the above checks, please contact Rinnai After Sales Service for assistance.

Please quote the model number of your appliance as shown on the rating plate. (Fig. 16)

For service calls under warranty, please note that it is necessary to produce your proof of purchase and valid warranty card.

Rinnai
RANGE HOOD

MODEL : RH-C95F-SS1VR
 TYPE : T-SHAPE HOOD
 INPUT POWER : 303W LAMP(2x1.5W)
 MOTOR POWER : 300W
 POWER SUPPLY : 220-240V~ 50/60Hz
 CABLE LENGTH : 1.5m
 SERIAL No : 2003000001
MADE IN CHINA CE

CIRCUIT DIAGRAM

AC 220-240V~ 50/60Hz

Fig. 16

Note: Rating plate is only for illustration purpose and varies across models.

Rinnai Customer Care Centres

China | 中国

Guangzhou Rinnai Gas & Electric
Room 2805, No.31 Jianghe Building,
Rinnai Road, Guangzhou, China
广州林内燃气电器有限公司
中国广州天河区天寿路 31 号江河大厦 2805 室
Tel 电话 : (86) 20 3821 7976
Email 邮箱 : grrjdq@gzrinnai.com.cn
URL 网址 : www.gzrinnai.com.cn

Indonesia

PT. Bhakti Idola Tama
Jl. Raya Perjuangan No.21
Komp. Ruko Sastra Graha No.11-13
Jakarta 11530
Tel : (62) 0800 1 889 889 (Customer Care) /
(0815 112 99999 (SMS Center)
Email: customercare_bit@yahoo.com
URL: www.rinnai.co.id

Macau | 澳門

Rinnai Appliance Service Center
Nam Kwong Petroleum & Chemicals Co., Ltd
Avenida do Dr. Rodrigo Rodrigues, Nam Kwong
Building, 17/F, Macau
Phone 電話 : (853)83911712
Fax 傳真 : (853)28330856
URL 网址 : www.rinnai.com.hk/mo

Malaysia

Rinnai (M) Sdn Bhd
D2-3-G & D2-3-1, Block D2, Pusat Perdagangan Dana 1,
Jalan PJU 1A/46, 47301 Petaling Jaya,
Selangor Darul Ehsan, Malaysia
Tel : (60) 3 7832 0037 / 7832 0038 / 7832 0039
Fax : (60) 3 7832 0036
Toll free: 1800-88-8180
Email: customercare@rinnai.com.my
URL : www.rinnai.com.my

Myanmar | မြန်မာ

Myanmar Kowa International Co., Ltd
No.199, Ground Floor, 34th Street (Upper Block),
Kyauktada Township, Yangon, Myanmar
အမှတ် (၁၉၉) ဥက္ကဋ္ဌ လမ်း (အပေါ်ဘလောက်)
ကျောက်တံတားမြို့နယ်၊ ရန်ကင်းမြို့။
Tel ဖုန်း : (95-1) 245925 / 246304 / (95-9) 7300 7773
Fax ဖက်(စ်) : (95-1) 245925
Email အီးမေးလ် : marketing@myanmarkowa.com

Philippines

Mitsui Industria Corporation
10 Buenaventura St., Cor MacArthur
Highway, Dalandan Valenzuela City,
Philippines
Tel : (63) 2 292 9177 / 292 9179
Fax : (63) 2 292 8187

Singapore

Rinnai Holdings (Pacific) Pte Ltd
61 Ubi Road 1 #02-20 & 21
Oxley Bizhub Singapore 408727
Tel : (65) 6748 9478
Fax : (65) 6745 9240
Email : service@rinnai.sg
URL : www.rinnai.sg

Thailand | ประเทศไทย

Rinnai (Thailand) Co., Ltd. / Lucky Flame Co., Ltd.
61/1 Soi Kingkaew 9, Kingkaew Rd.
Racha Thewa, Bangphli, Samutprakarn 10540, Thailand
บริษัท รินไน (ประเทศไทย) จำกัด
เลขที่ 61/1 ซอยกิ่งแก้ว 9 ถนนกิ่งแก้ว ตำบลราชาเทวะ
อำเภอเมืองทลิ่ง จังหวัดสมุทรปราการ
ประเทศไทย 10540
Tel : (66) 2 3124330-40
Email : lucky02@luckyflame.co.th
URL : www.luckyflame.co.th

Vietnam | Việt Nam

Rong Viet Commerce Company Limited
120 3/2 Street, Ward 12, District 10,
Ho Chi Minh City, Vietnam
Công Ty TNHH Thương Mại Rõng Việt
120 Đường 3/2, Phường 12, Quận 10,
TP. Hồ Chí Minh, Việt Nam
Tel : (84) 8 3862 3409
Fax : (84) 8 5404 1964
Email : info@rongviet-rinnai.com
URL : www.rongviet-rinnai.com