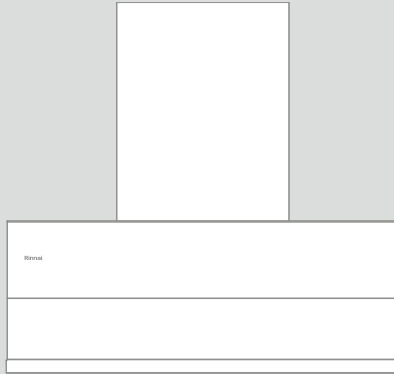


MODEL:  
RH-KT6029-PBW



# Cooker Hood

User and installation instructions

**Rinnai**

# Contents

Intended Use .....	1
Safety Information .....	2
Environmental Protection .....	5
Components' Name .....	6
Installation Instructions .....	6
Operation Instructions .....	9
Trouble Shooting .....	10
Care and Maintenance .....	11
Technical Specification .....	12

Thank you for choosing Rinnai Cooker Hood

- Please read this manual carefully before use and keep it properly for future reference.
- Please fill in the model number, purchase date, purchase store, invoice number and other contents on the warranty card page carefully, and send the warranty registration card back to our company.
- This device must be installed by a professional.
- It should be used under the supervision of normal adults for special users (such as children, the elderly, disabled people, etc.).

## IMPORTANT

To register your product warranty, please paste the serial numbers stickers enclosed with the packaging on your warranty card.

Please contact your local Rinnai After Sales Service Center should you require further assistance.

# Intended Use

Please read this user manual thoroughly before attempting to use this appliance for the first time. This manual contains important information on safe installation, use and care of the appliance. Keep these instructions for reference and pass them on to future user. This appliance can only be used safely if it is correctly installed according to the safety instructions, The installer is responsible for ensuring that the appliance works correctly at its installation location.

This appliance is intended for domestic use and household environment only. The appliance is designed to eliminate unpleasant odours from the kitchen, Do not use the hood for other uses than its specific purpose. Do not leave the appliance unattended during operation.

This appliance may be used by children over the age of 8 years old and by persons with reduced physical, sensory or mental capacity or by persons with a lack of experience or knowledge if they are supervised by someone who is responsible for their safety or have been instructed in how to use the appliance safely and have understood the risks involved in not using it properly. Children must not play with the appliance. Cleaning and user maintenance must not be performed by children unless they are over 15 years of age and are supervised. Keep children below the age of 8 years old at a safe distance from the appliance and power cable.

Check the appliance for damage after unpacking it, Do not connect the appliance if it has been damaged during transport.



The manufacturer is not liable for any damage which is caused by improper use or incorrect operation.

# Safety Information

## **Warning - Suffocation**

- Packaging material is dangerous to children. Never allow children to play with packaging material.

## **Warning - Risk of Fire**

- Do not operate the extractor hood without a grease filter. It is important to clean and/or replace the grease filters at appropriate intervals. Grease deposits build-up increases the risk of fire.
- Do not flame or grill with an open flame directly under the extractor hood. Flames could be drawn up into the hood by the suction and the grease filters may catch fire. Do not install the extractor hood near a heat producing appliance for solid fuel (e.g. wood or coal) unless a closed, non-removable cover is available. There must be no flying sparks.
- Monitor cooking continuously as overheated oil increases the risk of self-ignition. Never use water to put out burning oil or grease. Switch off the cooker. Extinguish flames carefully using a lid, fire blanket or something similar.
- Never leave high naked flames under the extractor hood when it is in operation. An extractor hood installed above the cooker may become damaged or catch fire. Always cover lit burners with cookware.
- Ensure that the power supply cord is free from any heat source or sharp objects.
- Multiple plugs and extension cables must not be used. Overloading is dangerous and may cause a fire.
- Operating several gas burners at the same time gives rise to a great deal of heat. An extractor hood installed above the cooker may become damaged or catch fire.

## **Warning - Risk of Burns**

- Accessible parts become very hot when in operation. Never touch hot parts. Keep children at a safe distance.
- Appliance becomes hot during operation. Allow the appliance to cool down before cleaning.

## **Warning - Risk of Injury**

- Incorrect repairs are dangerous. Repairs should be attempted by our qualified technical personnel's only. If the appliance is defective, unplug the appliance from the mains or switch off the circuit breaker in the fuse box. Contact your local Rinnai After Sales Service Center for assistance.
- It is dangerous to modify any part of this appliance. Tampering with electrical connections or mechanical parts can cause operation faults and may put the user at risk.
- Do not use any high pressure cleaners or steam cleaners, which can result in an electric shock.

# Safety Information

- Penetrating moisture may result in an electric shock. Clean the appliance using a damp cloth only. Before cleaning, pull out the mains plug or switch off the circuit breaker in the fuse box.
- Components inside the appliance may have sharp edges . Wear protective gloves.
- Lighting emitted by the LED lights are very dazzling and can damage the eyes. Do not look directly into lighted LED lights for longer than 100 seconds.

## **Warning - Risk of Electric Shock**

- A defective appliance may cause electric shock. Never switch on a defective appliance.  
Unplug the appliance from the mains or switch off the circuit breaker in the fuse box. Contact your local Rinnai After Sales Service Center for assistance.
- Incorrect repairs are dangerous. Any repairs and replacements of damaged power cable or components should be attempted by our qualified technical personnel 's only. Contact your local Rinnai After Sales Service Center for assistance.
- Penetrating moisture may result in an electric shock. Clean the appliance using a damp cloth only. Before cleaning pull out the mains plug or switch off the circuit breaker in the fuse box.

## **Warning - Cause of Damage**

- Always switch on the appliance while cooking to avoid condensation.  
Condensation can produce corrosion damage.
- Always replace faulty lights to prevent the remaining lights from over loading.
- Do not clean the controls with a wet cloth as this may risk damage due to ingress of humidity into the electronic circuitry.
- Clean all stainless steel surfaces in the direction of the grain only as incorrect cleaning may damage the stainless steel surface. Do not use any stainless steel cleaners for controls.
- Never use strong and abrasive cleaning agents as this may cause damage to the stainless steel surface.
- There is a risk of surface damage if you do not peel off the protective film.  
Remove the protective film from all parts of the appliance before using the appliance for the first time.
- This appliance is not intended for use by persons (including children) with reduced physical, sensory or mental capabilities. or lack of experience and knowledge, unless they have been given supervision or instruction concerning use of the appliance by a person responsible for their safety.
- Children should be supervised to ensure that they do not play with the appliance.
- If the supply cord is damaged, it must be replaced by the manufacturer, its service agent or similarly qualified persons in order to avoid a hazard.

# Safety Information

- There shall be adequate ventilation of the room when the range hood is used at the same time as appliances burning gas or other fuels.
- Clean the appliance every week according to "Cleaning the Metal Grease Filters"
- There is a fire risk if cleaning is not carried out in accordance with the instructions.
- Do not flame under the range hood.  
CAUTION: Accessible parts may become hot when used with cooking appliances.
- The air must not be discharged into a flue that is used for exhausting fumes from appliances burning gas or other fuels.
- The minimum distance between the supporting surface for the cooking vessels on the hob and the lowest part of the range hood is 650 mm.
- Regulations concerning the discharge of air have to be fulfilled.

# Environmental Protection

## Energy Saving

- During cooking ensure that there is a sufficient supply of air to enable the extractor hood to work efficiently and with a low level of operating noise.
- Adjust the fan speed to the amount of cooking vapor produced during cooking. Only use intensive / booster mode when required. Operating the fan speed at lower levels consumes less energy.
- Switch off the extractor hood if you no longer require it.
- Clean and replace the grease filters at regular intervals in order to increase the effectiveness of the extractor hood and to prevent the risk of fire.

## Disposal

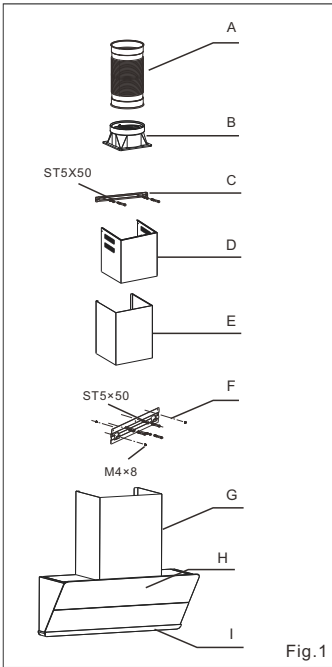
- This appliance and its packaging are environmentally friendly and recyclable. Please help us to care for the environment by disposing the packaging in a proper manner and recycling any old appliances.
- Before disposing an old appliance, disconnect it from the power supply and cut the power supply cord to prevent hazards.

## Connection to Exhaust Air Pipe



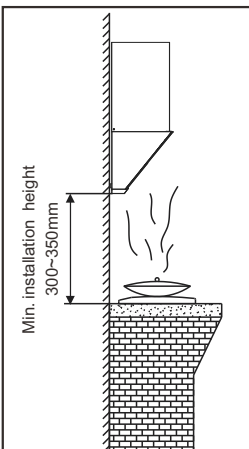
- Attach  $\phi 185$  mm pipe directly to the air outlet and secure appropriately.
- Connect pipe to the outdoor duct.

# Components' Name



Ref	Qty	Product components
A	1	Flexible Aluminum Duct
B	1	Air outlet
C	1	Hook
D	1	Inner duct cover
E	1	Outer duct cover
F	1	Ducting bracket
G	1	Box
H	1	Control Panel
I	1	Oil collector
Qty		Installation components
	6	Expanding Tube
	5	Screw ST5 × 50
	9	Screw M4 × 20
	8	Screw M4 × 8
Qty		Documentation
	1	Operation / Installation Manua

# Installation Instructions



- Always mount the extractor hood over the center of the hob.
- Ensure that the appliance is installed in a location with good and permanent ventilation.
- When making the electrical connections, check that
  - The mains voltage and frequency corresponds to the technical information shown on the rating plate.
  - Electrical connection must be made in accordance to local standards only. Check that the voltage in your area is correct before plugging in.
- Use an electrical connector with earth that is correct for your location. The electrical connection of this appliance must be connected to earth (where applicable):
  - Green & Yellow = EARTH; Blue = NEUTRAL; Brown = LIVE

# Installation Instructions

## ● Ducted mode:

- Connect the extractor hood to the exhaust duct through a pipe of minimum  $\phi 160\text{mm}$ . Use the shortest and straightest duct route possible.
- Do not connect the extractor hood to exhaust ducts carrying combustion fumes.
- Arrange proper ventilation if the extractor hood is used in conjunction with other appliances which are not supplied by electrical power e.g. gas burning appliances. The kitchen must have a direct opening to the outside in order to allow entry of fresh air.

*Note:* The manufacturer accepts no responsibility for complaints attributed to the design and layout of the pipe work.

- Do not flambé or grill with an open flame directly under the extractor hood. Flames could be drawn up into the hood by the suction and the grease filters may catch fire.
- Monitor cooking continuously as overheated oil increases the risk of self-ignition.
- Do not operate the extractor hood without a grease filter.
- It is important to clean and/or replace the filters at appropriate intervals.
- Grease deposits build-up increases the risk of fire.
- Always disconnect the unit from the power supply before carrying out any cleaning or maintenance work on the hood.
- Ensure that the power supply chord is free from any heat source or sharp objects.
- Multiple plugs and extension cables must not be used. Overloading is dangerous and may cause a fire hazard.

## Disposal

- This appliance and its packaging are environmentally friendly and recyclable. Please help us to care for the environment by disposing the packaging in a proper manner and recycling any old appliances.
- Before disposing an old appliance, disconnect it from the power supply and cut the power supply cord to prevent hazards.

The manufacturer will not be held liable for any damages resulting from improper installation nor failure to adopt proper safety measures during installation and operational use of the appliance.

This appliance can be installed in ducted mode.

## Connection to exhaust air pipe (Fig.3 & 3.1)

- When attaching the pipe, connect to the air outlet using a reducing connector (provided) (Fig.3).
- Secure both joints appropriately (Fig.3 & Fig.3.1)
- Connect pipe to the outdoor duct.

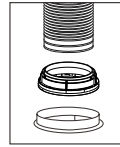


Fig.3

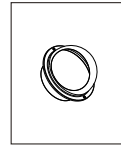


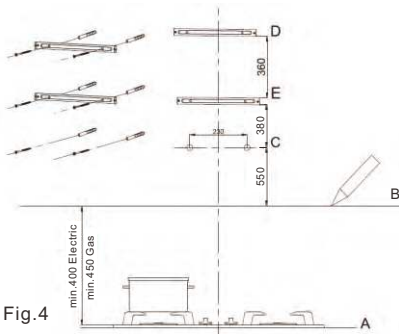
Fig.3.1

## Wall mounting (Fig.4 & 5)

Do ensure that the appliance is mounted on a solid surface which could withstand the appliance's weight.

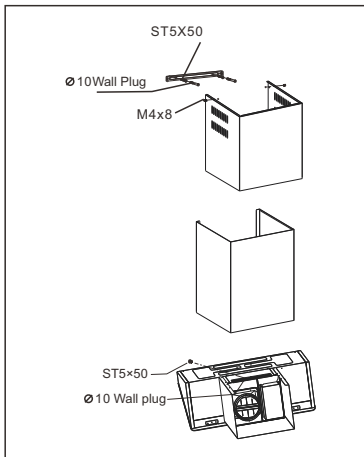
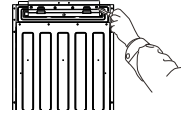
- Draw a vertical line at the center of the wall.
- From bench top (Fig.4), draw a horizontal line above minimum installation height level (Fig.4).
- Mark a reference point at C. Repeat this step on the other side.
- Drill  $\phi 8\text{mm}$  holes at center of marking points. Insert wall plugs in the wall.
- Fix the hood body to wall using 2 (two) ST5  $\times$  50 screws provided. Tighten screws firmly.  
Note: Adjust the hood body alignment if necessary (Fig.5).
- Place mounting bracket on the wall at desired height level. Align bracket center at vertical line (see D).
- Mark the center of the bracket holes and drill  $\phi 8\text{mm}$  holes. Insert wall plugs in the wall.
- Secure mounting bracket firmly using 4 (four) ST5  $\times$  50 screws provided.
- Fix the inner duct to mounting bracket using 2 (two) M4  $\times$  8 screws provided (Fig.5).
- Fix the outer duct to mounting bracket using 2 (two) M4  $\times$  8 screws provided (Fig.5).
- Fix the outer duct to the hood body using 2 (two) M4  $\times$  8 screws provided (Fig.5) ES/Slide the outer duct downwards and ensure that it is well seated on the hood body.

# Installation Instructions



## **Aligning the hood body (if necessary)** (Fig.6)

- Before attaching hood body to wall, adjust the 2 (two) screws located on the hood body mounting points.
- Hook the hood body onto the support screws and tighten the support screws fully.
- Adjust screws to level the hood body.



Installation must be performed by qualified personnel only. The manufacturer declines all responsibility for improper installation and does not accept responsibility for appliance warranty in the event of damage caused by incorrect installation.

# Operation Instructions

To achieve better air extraction, we recommend you to switch on the blower a few minutes before starting to cook. Leave it on for approximately 15 minutes after cooking or till all cooking smell is completely removed.

## Switch control

Note: Touch the push buttons gently to operate this appliance.



## On/Off :

1. When the device is powered off, press this key to enter standby mode; when in standby mode, if there are no other key operations within 2 minutes, the device will automatically power off; when in delayed shutdown mode or standby mode, long-press this key for 2 seconds to power off.
2. When the fan is running, press this key once to enter 3-minute delayed shutdown mode; long-press this key for 2 seconds to power off directly.

## High-speed/Boost mode key :

### High speed gear

1. When in standby or Fan Speed mode, press this key to run in high speed mode.
2. If there is no operation within 2 minutes in the standby state, it will enter the shutdown state (excluding lighting).
3. When running at high speed, press this key for 2 seconds to enter the Boost mode. After 3 minutes in the Boost mode, it will enter the high speed mode.
4. When running in high speed mode, press the power button once to enter the 3-minute delayed shutdown state in high speed mode.
5. When the high-speed gear is running, turning off the high-speed gear will not change the status of the lighting. When in standby mode, press and hold the power button for 2 seconds to turn off the device.

### Boost Mode

1. In the Boost mode, the Boost gear is running.
2. When the Boost mode is running, pressing the Fan Speed mode key will enter the Fan Speed mode operation.
3. When running in high speed, it jumps to the Boost mode. After running in Boost mode for 3 minutes, it enters high speed.
4. In standby mode, press and hold this key for 2 seconds to jump to the Boost mode. At this time: If you press the low gear key, it will enter the low gear. If this key is pressed, it will enter the high-speed gear. If this key is held down for 2 seconds, it will enter the standby state. Pressing the power button will enter the high-speed 3-minute delayed shutdown state.
5. When in standby or Boost mode, press and hold the power button for 2 seconds to turn off the machine.

### Fan Speed key :

Without powering off, press this key to run the fan at low speed; press again to enter standby mode.

## Cruise Boost key :

1. While the fan is running, press this key to activate the cruise function. Press it again to disable cruise mode.
2. After running in low speed gear for 30 seconds, if the exhaust resistance is detected, the gear will switch to high speed gear. If no exhaust resistance is detected, it will continue to run in low speed gear and the cruise key indicator light will remain on.
3. After running in high speed gear for 30 seconds, if the exhaust resistance is detected, the cruise key indicator light will flash and the gear will switch to stir-frying gear. If no exhaust resistance is detected, it will continue to run in high speed gear and the cruise key indicator light will remain on.
4. After running in stir-frying gear for 30 seconds, regardless of whether the exhaust resistance is detected or not, the cruise key indicator light will remain on. After running for 150 seconds, it will switch to high speed gear.

## Lighting Key :

Press this key to turn on the light; press again to turn off the light.

# Trouble Shooting

## Heat Clean Key :

Without powering off, long press this button for 2 seconds to activate the Heat Clean function: the heating module will operate for 10 minutes, and the fan will run at high speed for 1 minute, then return to standby mode. While the Heat Clean function is active, long press this button for 2 seconds to deactivate the Heat Clean function.

## Gestural Control :

When in standby or power-off mode, sweeping two gesture modules from left to right will sequentially cycle through the following settings: high speed - stir-fry mode - low speed - high speed - stir-fry mode... The lighting will turn on simultaneously when gesturing. However, if the fan is already in operation, sweeping across the two gesture modules from left to right will cause the fan to cycle through the above settings sequentially while maintaining the current lighting status.

Problem	Possible Cause	Solution
Extractor hood does not function	No electrical supply	Check that plug is connected and main power switch is turned on
Poor airflow	baffle filters clogged up with build-up	Clean the baffle filters and refit when dry
Hood suction is not effective	Inadequate ventilation	Ensure that the kitchen is sufficiently ventilated to allow entry of fresh air
Motor is running but no airflow	Poor exhaust	Please contact Rinnai Customer Care Service
Whirring sound	Foreign object may be in contact with fan blade	Please contact Rinnai Customer Care Service
Lights are not working	Bulb blown	Replace the new lights
	Loose connection	Check connection
E2 Error	Power disconnect	Please contact Rinnai Customer Care Service

If problem persists after the above checks, please contact Rinnai Customer Care Centre for assistance.

Please quote the model number of your appliance as shown on the rating plate attached to your equipment (Fig. 7).

For service calls under warranty, please note that it is necessary to produce your proof of purchase and valid warranty card.

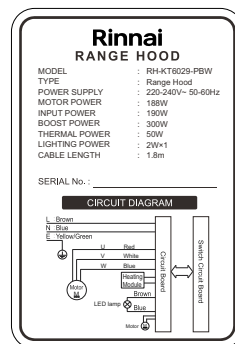


Fig.7

# Care and Maintenance


Disconnect the power supply cord before carrying out any cleaning or maintenance activities. It is important to clean and/or replace the filters at appropriate intervals as grease deposits build-up increases the risk of fire. Do not operate the extractor hood without grease filter.

You are strongly recommended to follow these safety instructions. The manufacturer will not be held liable for any damages to the appliance or any fire hazard due to failure to observe the above safety recommendations.

## Cleaning the appliance body

- Clean the extractor hood using warm detergent solution and a soft damp cloth. Wipe dry with a lint-free cloth.
- Avoid using corrosive or abrasive products that could damage the surface.

## Light replacement (Fig.8)

 Replace the light bulb with another which has the same characteristics as a higher voltage bulb could damage the electrical unit.

- Removing and replacing the lights:
  - After fully opening the sliding glass panel, remove the power plug, gently pry out the lighting fixture with a screwdriver or a small knife, and pull out the snap-in connector. Then, the lighting fixture can be removed (Fig.8).
  - Replace a new set of light assembly. Note: For purchase of spare part, please check with your local Rinnai Customer Care Centre for assistance.
  - Reverse the procedure for refitting.

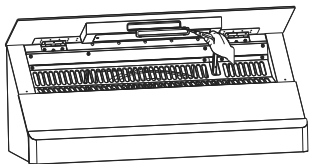


Fig.8

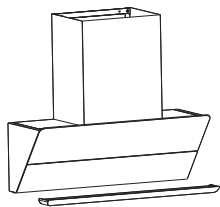


Fig.9

## Removal of Oil Collector & lower glass panel

- Hold both ends of the bottom of the Oil collector with your hands, pull it vertically and gently forward, and then you can remove the Oil collector(Fig.9).

- Remove the screws that fix the lower glass panel, hold the lower glass panel with both hands and push it upwards to remove it.(Fig.10).

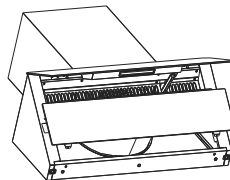
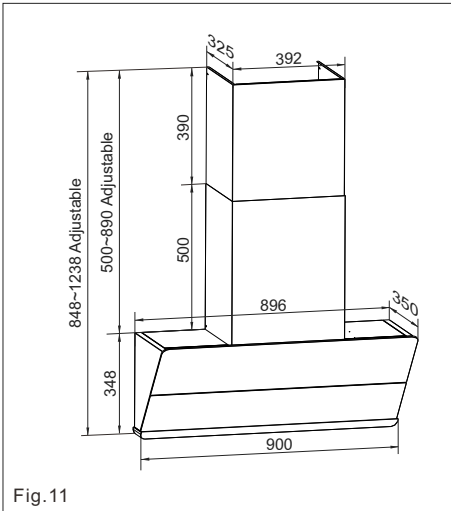


Fig.10

# Technical Specification



Model	RH-KT6029-PBW
Power Supply	220-240V~ 50-60Hz
Motor Power	188W
Input Power	190W
Boost Power	300W
Thermal Power	50W
Lighting Power	2W×1
Cable Length	1.8m
Appliance Dimension (W × D × H):	900×350×848(1238) mm
Note: The manufacturer reserves the right to effect any technological improvement or modification without prior notice.	

Note:  
Product specifications are based on the nameplate. Manual content may vary due to improvements.



Scan QR code to access the official website of Rinnai

**Rinnai (M) Sdn Bhd**

Company address: Unit 2-8, Subplace Boulevard, Pusat Komersil Vestland, No.6,  
Jalan Juruanalysis U1/35, Seksyen U1, 40150 Shah Alam, Selangor Darul Ehsan, Malaysia

Tol Free :1800-88-8180

Fax: +603 5038 8905

<https://www.rinnai.com.my>