

EXPLODED VIEW SPECIFICATION

PT. RINNAI INDONESIA

MODEL	:	RB-92G (LPG)
CUSTOMER	:	EXPORT / SINGAPORE
DATE	:	16-Feb-17

APPROVED	CHECKED	CHECKED	MAKE BY

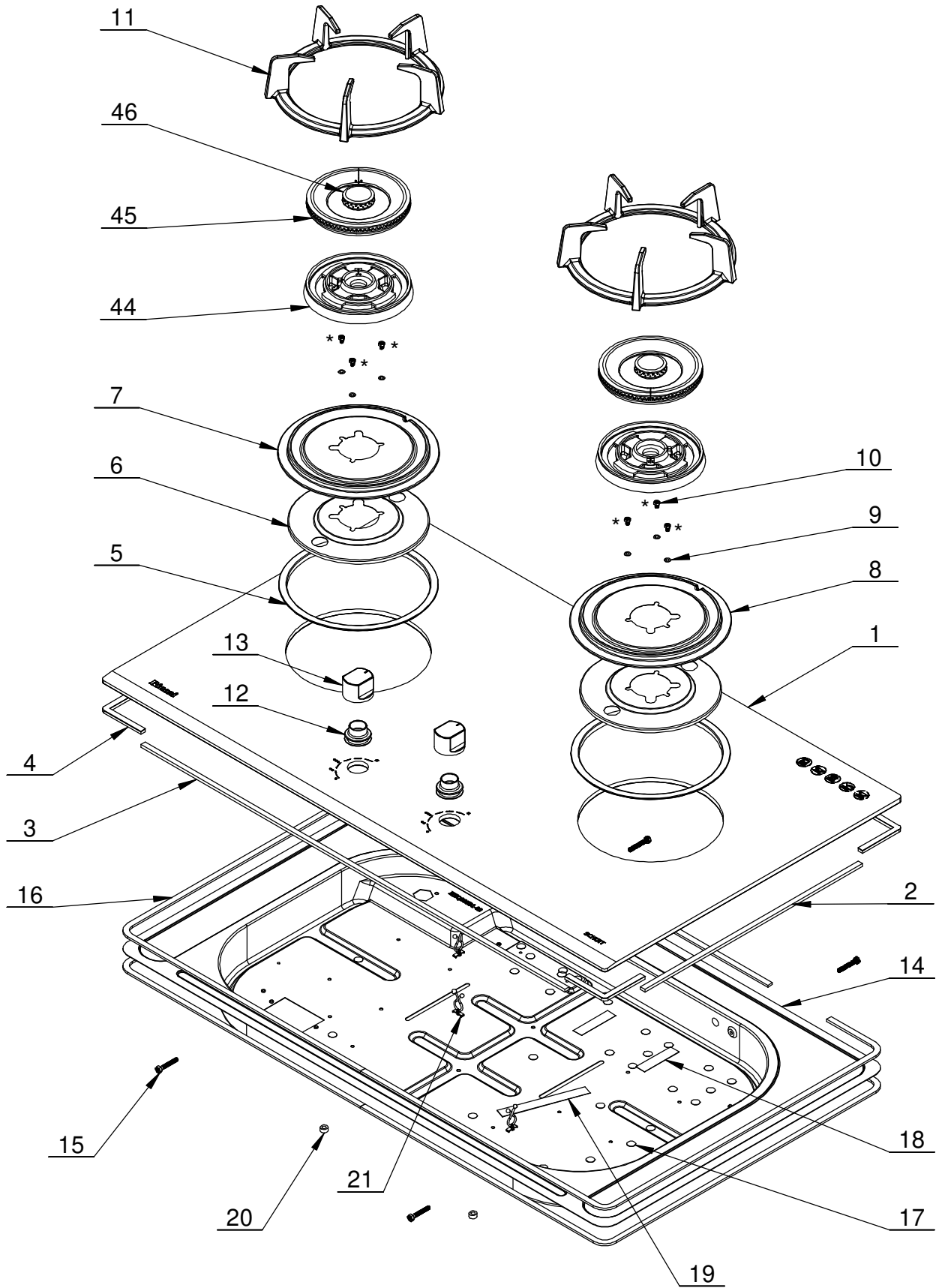
RB-92G (LPG) => EXPORT / SINGAPORE

NO	PARTS NO	PARTS NAME	QT'Y
1	RB90-001	GLASS TOP (PRINT) BLACK (RB-92G)	1
2	RB3G-225-380-2	SEAL PACKING (FOR GLASS TOP)	2
3	RB3G-225-740-2	SEAL PACKING (FOR GLASS TOP)	1
4	RB70-043	SEAL PACKING CORNER	4
5	HZQ288B1-05	BURNER COVER PACKING H	2
6	HZQ288B1-04	BURNER COVER (SUPPORT H)	2
7	HZQ288B1-03A	BURNER COVER (H/LHS)	1
8	HZQ288B1-03B	BURNER COVER (H/RHS)	1
9	V642-00-0	O RING PUSHING PLATE	6
10	* CP-21676-0406TK	SCREW (SUS304 M4x6x0,7)	6
11	HZQ288A1-03	PAN SUPPORT H	2
12	HZQ288B1-09	KNOB PACKING (GLASS)	2
13	HZQ288A1-14-00A	KNOB ASSY (BAKELITE)	2
14	HZQ288B1-02	CASING (RB 92/93 GLASS)	1
15	ZAA0530SZ	SCREW CASING (M5x30)	4
16	RB70-044-1000	SEAL PACKING (FOR CASING UPPER & LOWER)	5
17	RH402583	BLIND SEAL (GREY) Ø11	34
18	RB-336-60	BLIND SEAL (GREY) L = 60	2
19	RB-336-120	BLIND SEAL (GREY) L = 120	1
20	RB3G-272	CASING LOWER PACKING	5
21	HE29-05A	WIRE FIXER	3
22	HZQ288A1-09	TOP PLATE (SUPPORT)	1
23	^ ZEAB 0406 SZ	SCREW (TS-B M4x6)	6
24	RB3G-225-100-4	SEAL PACKING (FOR TOP PLATE SUPPORT)	1
25	HZQ288A1-07	VENTURY SUPPORT (H)	2
26	HZQ288A1-08	GAS VALVE FIXING PLATE (SUPPORT)	1
27	90302155	POP RIVET	10
28	HZQ292B1-02-00	MANIFOLD PIPE ASSY (RB-92/PAINT)	1
29	AU19-113	HOSE END PACKING	1
30	HE21-13-01	HOSE END SET (LP SIN)	1
31	RIT 0045x01	MANIFOLD CAP	1
32	○ ZIAD 0408 SZ	SCREW (M4x8)	4
33	C114K-3-6	SV GAS VALVE DOUBLE ASSY (NG)	2
34	RB2EH-238	GAS VALVE BRACKET	2
35	% ZHAA 0410 SZ	SCREW (M4x10 SW)	4
36	HZQ292B1-03	BURNER CONN TUBE (LEFT/ MAIN ASSY RB-92)	1
37	HZQ292B1-04	BURNER CONN TUBE (LEFT/ SIMMER ASSY RB-92)	1
38	HZQ292B1-05	BURNER CONN TUBE (RIGHT/ MAIN ASSY RB-92)	1
39	HZQ292B1-06	BURNER CONN TUBE (RIGHT/ SIMMER ASSY RB-92)	1

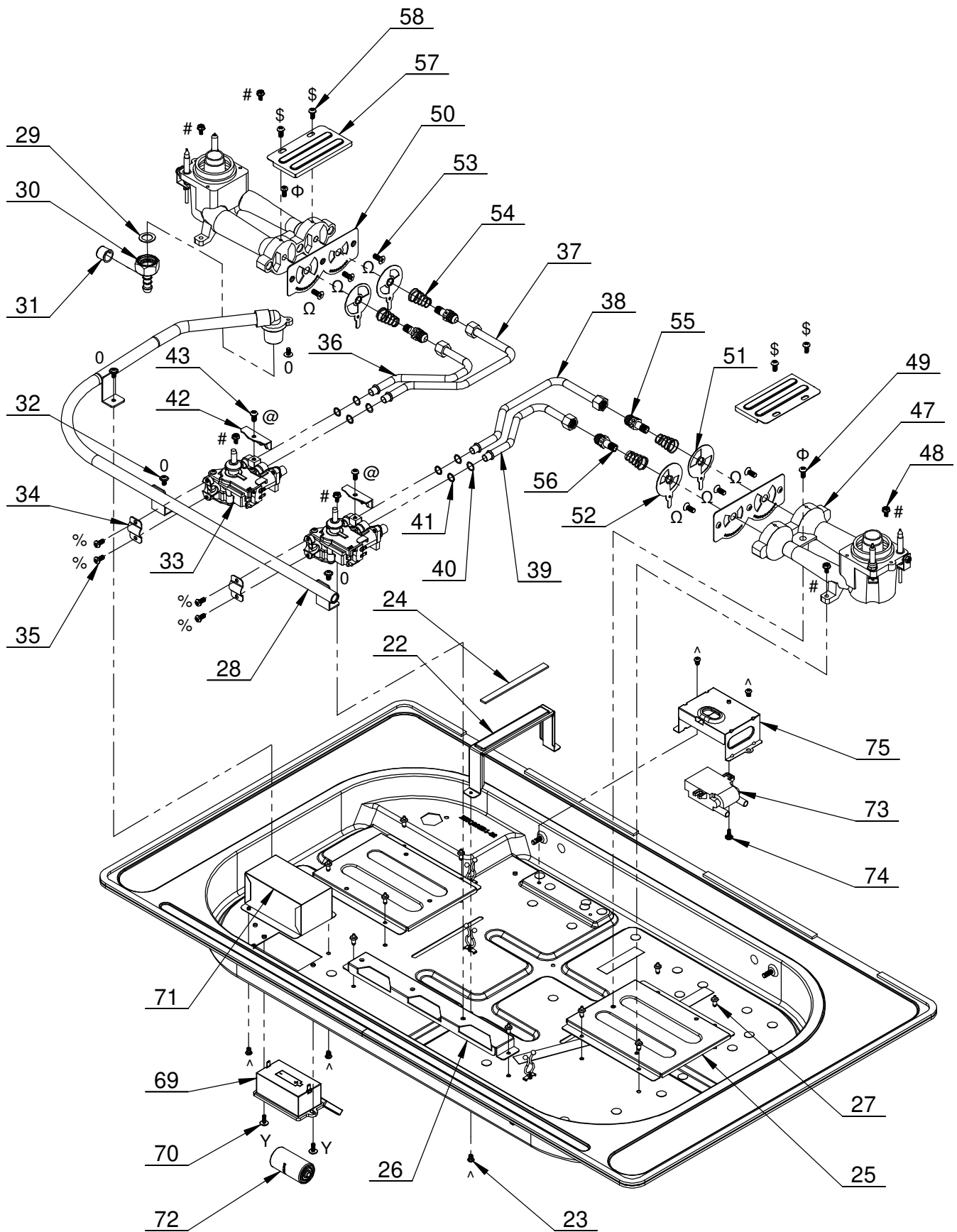
RB-92G (LPG) => EXPORT / SINGAPORE

NO	PARTS NO	PARTS NAME	QT'Y
40	BG4-85x01	STOPPER RING	4
41	M10B-1-8	O-RING	4
42	RB2EH-230	CONN TUBE BRACKET (HS)	2
43	@ ZBA 0408 SZ	SCREW (M4x8 FT)	2
44	HS088A2.0(Y.T)-A2	H BURNER BODY ASSY (LPG)	2
45	HS088A3-1(Y.T)	H BURNER HEAD (LPG)	2
46	HS088A4-1(Y.T)	SIMMER BURNER HEAD (H/LPG)	2
47	HS002A1-1-04-Y1	VENTURY BURNER (H)	2
48	# CP-21591-3	SCREW (SWCH16A M4x12)	6
49	φ ZBA 0410 SZ	SCREW (M4x10 FT)	2
50	HZQ015B0-05A	DAMPER FIXER FOR H BURNER (GLASS)	2
51	HE12-01F	DAMPER ASSY (FOR H BURNER)	2
52	HE12-01G	DAMPER ASSY (SIMMER FOR H BURNER)	2
53	Ω FH0406MS	SCREW (COUNTERSUNK M4x6)	6
54	HE13-02A	DAMPER ASSY (SPRING)	4
55	HE14-10.Y095	MAIN NOZZLE (H BURNER DIA. 0.95/LPG)	2
56	HE14-03B.Y048	MAIN NOZZLE (H SIMMER DIA. 0.48/LPG)	2
57	HZQ060C1-08	BURNER COVER	2
58	\$ V749-00-0	HEX SCREW (M4x6)	4
59	HZQ288A1-11-450A	ELECTRODE ASSY FOR H BURNER (L=450)	1
60	HZQ288A1-11-700A	ELECTRODE ASSY FOR H BURNER (L=700)	1
61	HZQ253A1-16	ELECTRODE (BRASS SLEEVE)	2
62	HE28-02B	ELECTRODE (FIXER B)	2
63	C10A-84S-6X02	THERMOCOUPLE ASSY (L=350)	2
64	HZQ253A1-17	THERMOCOUPLE BRACKET (BRASS SLEEVE)	2
65	HZQ288A1-15	THERMOCOUPLE BRACKET (SCREW BRASS SLEEVE)	2
66	RB70-041	TC BRACKET	2
67	X CP-21676-0410TK	SCREW (SUS304 M4x10x0,7)	2
68	RB90-023-1	MAIN HARNESS RB-72/92	1
69	HE19-02A	BATTERY BOX	1
70	Y 9228474010	SCREW (M4x10 RH)	2
71	HZQ253A1-09	BATTERY BOX COVER	1
72	CP-90003-2X01	BATTERY	1
73	EI-203	SPARKER	1
74	CP-80452	SCREW (M4x10)	1
75	RB4E-191x01	SPARKER SHIELD PLATE	1
76	CB9293-2-P	CARTON BOX RB-92/93 (PRINT) EXPORT	1
77	RB90-029-1	STYROFOAM SET RB-92 SERIES	1
78	PKB161-901-2	PLASTIC COVER	1

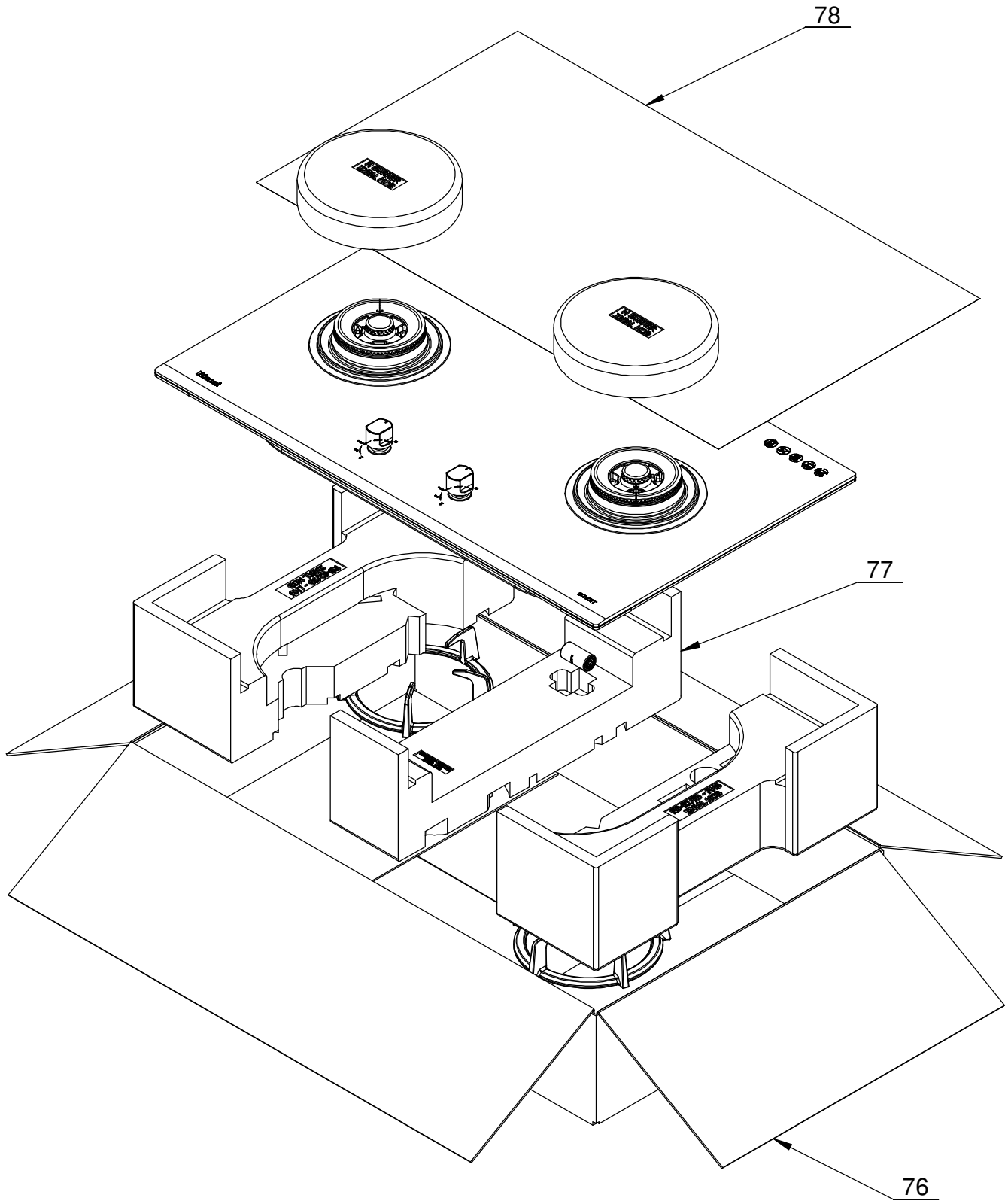
RB-92G (LPG)
(SINGAPORE)



RB-92G (LPG)
(SINGAPORE)



RB-92G (LPG)
(SINGAPORE)



EXPLODED VIEW SPECIFICATION

PT. RINNAI INDONESIA

MODEL	:	RB-92G (NG)
CUSTOMER	:	EXPORT / SINGAPORE
DATE	:	16-Feb-17

APPROVED	CHECKED	CHECKED	MAKE BY

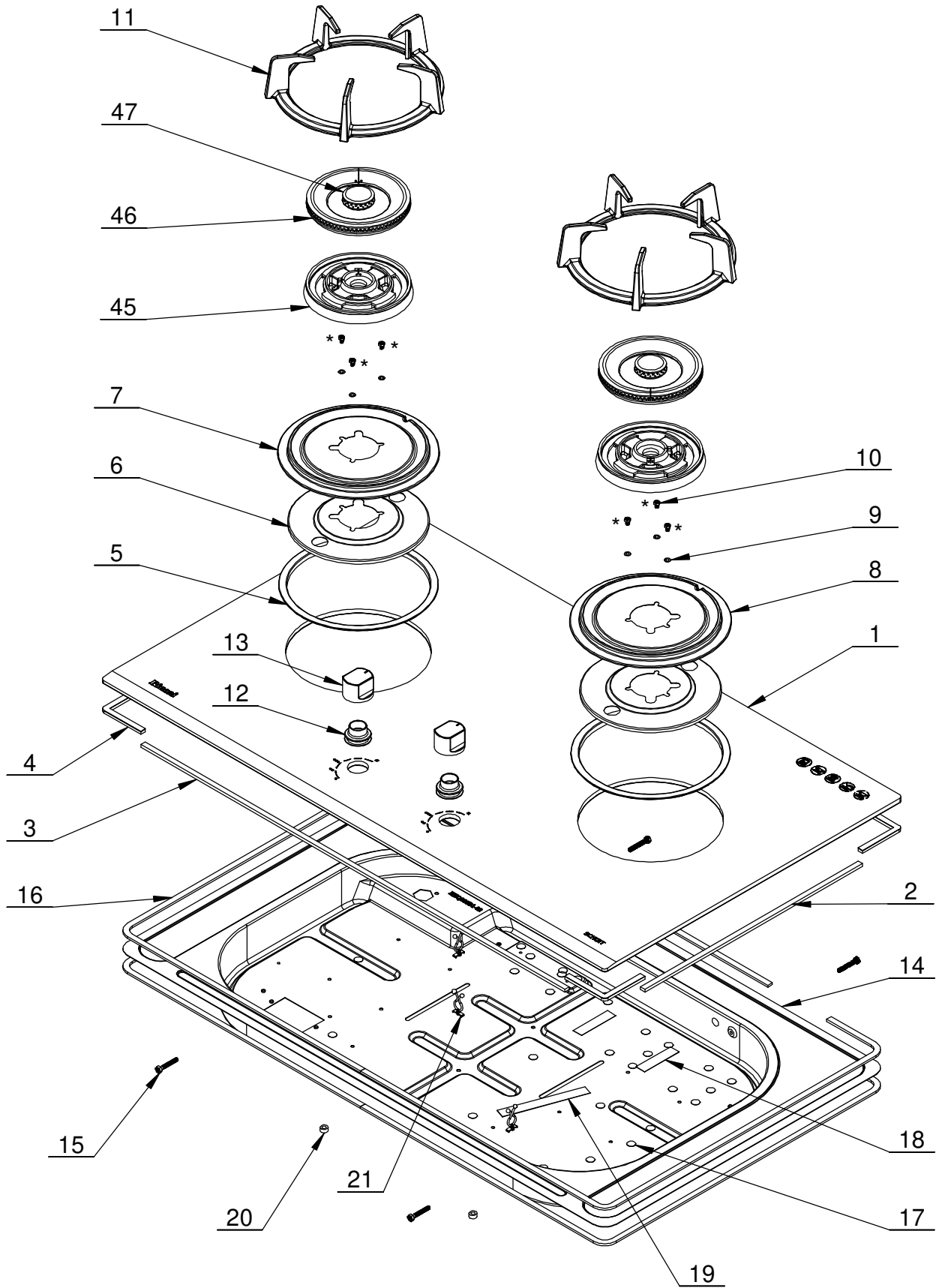
RB-92G (NG) => EXPORT / SINGAPORE

NO	PARTS NO	PARTS NAME	QT'Y
1	RB90-001	GLASS TOP (PRINT) BLACK (RB-92G)	1
2	RB3G-225-380-2	SEAL PACKING (FOR GLASS TOP)	2
3	RB3G-225-740-2	SEAL PACKING (FOR GLASS TOP)	1
4	RB70-043	SEAL PACKING CORNER	4
5	HZQ288B1-05	BURNER COVER PACKING H	2
6	HZQ288B1-04	BURNER COVER (SUPPORT H)	2
7	HZQ288B1-03A	BURNER COVER (H/LHS)	1
8	HZQ288B1-03B	BURNER COVER (H/RHS)	1
9	V642-00-0	O RING PUSHING PLATE	6
10	* CP-21676-0406TK	SCREW (SUS304 M4x6x0,7)	6
11	HZQ288A1-03	PAN SUPPORT H	2
12	HZQ288B1-09	KNOB PACKING (GLASS)	2
13	HZQ288A1-14-00A	KNOB ASSY (BAKELITE)	2
14	HZQ288B1-02	CASING (RB 92/93 GLASS)	1
15	ZAA0530SZ	SCREW CASING (M5x30)	4
16	RB70-044-1000	SEAL PACKING (FOR CASING UPPER & LOWER)	5
17	RH402583	BLIND SEAL (GREY) Ø11	34
18	RB-336-60	BLIND SEAL (GREY) L = 60	2
19	RB-336-120	BLIND SEAL (GREY) L = 120	1
20	RB3G-272	CASING LOWER PACKING	5
21	HE29-05A	WIRE FIXER	3
22	HZQ288A1-09	TOP PLATE (SUPPORT)	1
23	^ ZEAB 0406 SZ	SCREW (TS-B M4x6)	6
24	RB3G-225-100-4	SEAL PACKING (FOR TOP PLATE SUPPORT)	1
25	HZQ288A1-07	VENTURY SUPPORT (H)	2
26	HZQ288A1-08	GAS VALVE FIXING PLATE (SUPPORT)	1
27	90302155	POP RIVET	10
28	HZQ292B1-02-00	MANIFOLD PIPE ASSY (RB-92/PAINT)	1
29	AU19-113	HOSE END PACKING	1
30	HE21-05	HOSE END SET	1
31	HE21-06	HOSE END SET (NUT)	1
32	RIT 0045x01	MANIFOLD CAP	1
33	○ ZIAD 0408 SZ	SCREW (M4x8)	4
34	C114K-3-6	SV GAS VALVE DOUBLE ASSY (NG)	2
35	RB2EH-238	GAS VALVE BRACKET	2
36	% ZHAA 0410 SZ	SCREW (M4x10 SW)	4
37	HZQ292B1-03	BURNER CONN TUBE (LEFT/ MAIN ASSY RB-92)	1
38	HZQ292B1-04	BURNER CONN TUBE (LEFT/ SIMMER ASSY RB-92)	1
39	HZQ292B1-05	BURNER CONN TUBE (RIGHT/ MAIN ASSY RB-92)	1

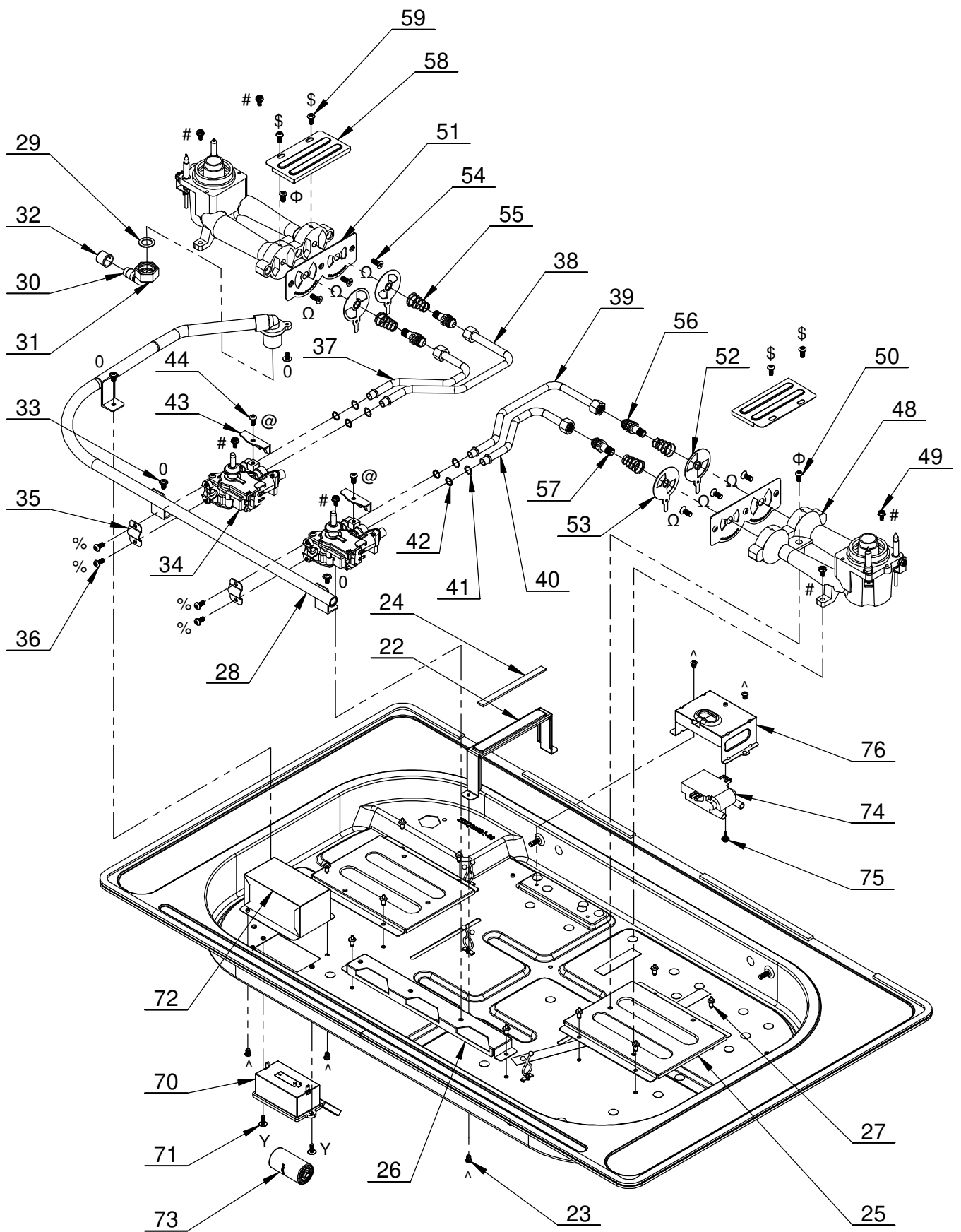
RB-92G (NG) => EXPORT / SINGAPORE

NO	PARTS NO	PARTS NAME	QT'Y
40	HZQ292B1-06	BURNER CONN TUBE (RIGHT/ SIMMER ASSY RB-92)	1
41	BG4-85x01	STOPPER RING	4
42	M10B-1-8	O-RING	4
43	RB2EH-230	CONN TUBE BRACKET (HS)	2
44	@ ZBA 0408 SZ	SCREW (M4x8 FT)	2
45	HS088A2.0(Y.T)-A2	H BURNER BODY ASSY (LPG)	2
46	HS088A3-1(Y.T)	H BURNER HEAD (LPG)	2
47	HS088A4-1(Y.T)	SIMMER BURNER HEAD (H/LPG)	2
48	HS002A1-1-04-Y1	VENTURY BURNER (H)	2
49	# CP-21591-3	SCREW (SWCH16A M4x12)	6
50	φ ZBA 0410 SZ	SCREW (M4x10 FT)	2
51	HZQ015B0-05A	DAMPER FIXER FOR H BURNER (GLASS)	2
52	HE12-01F	DAMPER ASSY (FOR H BURNER)	2
53	HE12-01G	DAMPER ASSY (SIMMER FOR H BURNER)	2
54	Ω FH0406MS	SCREW (COUNTERSUNK M4x6)	6
55	HE13-02A	DAMPER ASSY (SPRING)	4
56	HE14-10.T145	MAIN NOZZLE (H BURNER DIA. 1.45/NG)	2
57	HE14-03B.T075	MAIN NOZZLE (H SIMMER DIA. 0.75/NG)	2
58	HZQ060C1-08	BURNER COVER	2
59	\$ V749-00-0	HEX SCREW (M4x6)	4
60	HZQ288A1-11-450A	ELECTRODE ASSY FOR H BURNER (L=450)	1
61	HZQ288A1-11-700A	ELECTRODE ASSY FOR H BURNER (L=700)	1
62	HZQ253A1-16	ELECTRODE (BRASS SLEEVE)	2
63	HE28-02B	ELECTRODE (FIXER B)	2
64	C10A-84S-6X02	THERMOCOUPLE ASSY (L=350)	2
65	HZQ253A1-17	THERMOCOUPLE BRACKET (BRASS SLEEVE)	2
66	HZQ288A1-15	THERMOCOUPLE BRACKET (SCREW BRASS SLEEVE)	2
67	RB70-041	TC BRACKET	2
68	X CP-21676-0410TK	SCREW (SUS304 M4x10x0,7)	2
69	RB90-023-1	MAIN HARNESS RB-72/92	1
70	HE19-02A	BATTERY BOX	1
71	Y 9228474010	SCREW (M4x10 RH)	2
72	HZQ253A1-09	BATTERY BOX COVER	1
73	CP-90003-2X01	BATTERY	1
74	EI-203	SPARKER	1
75	CP-80452	SCREW (M4x10)	1
76	RB4E-191x01	SPARKER SHIELD PLATE	1
77	CB9293-2-P	CARTON BOX RB-92/93 (PRINT) EXPORT	1
78	RB90-029-1	STYROFOAM SET RB-92 SERIES	1
79	PKB161-901-2	PLASTIC COVER	1

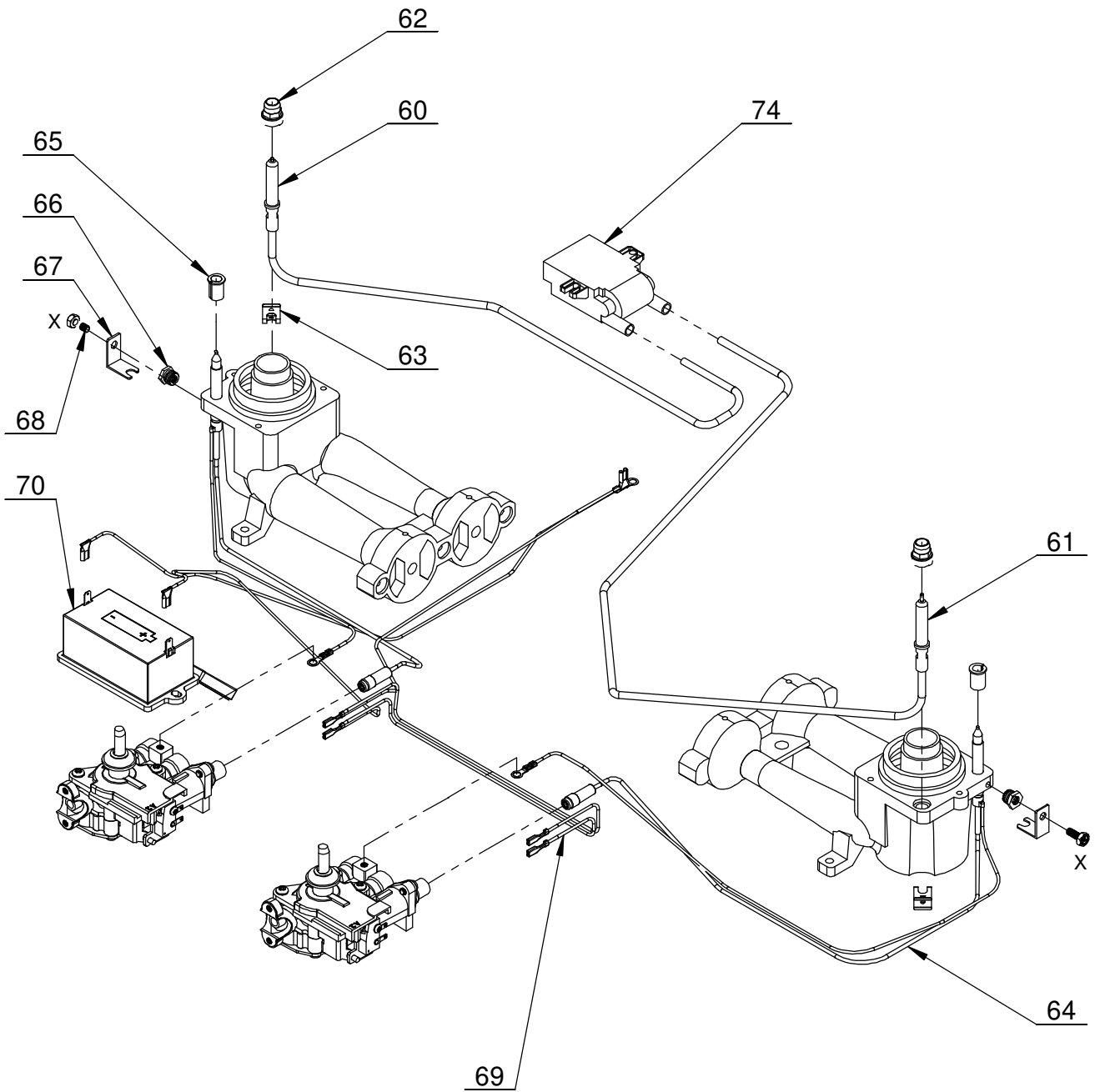
RB-92G (NG)
(SINGAPORE)



RB-92G (NG)
(SINGAPORE)



RB-92G (NG)
(SINGAPORE)



RB-92G (NG)
(SINGAPORE)

