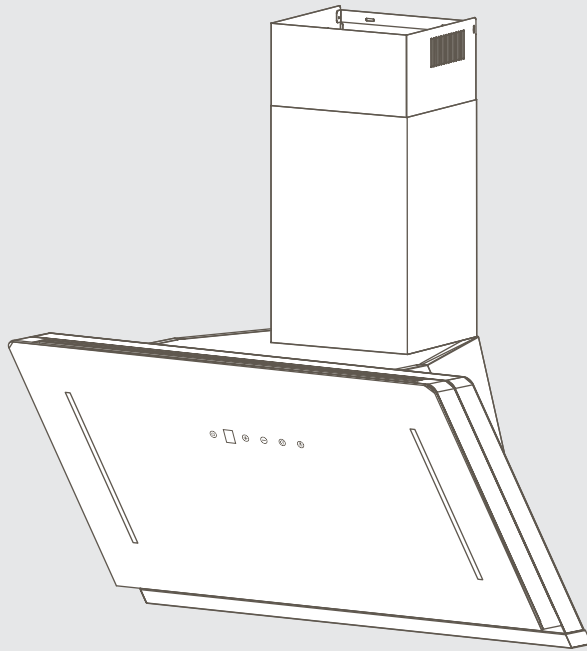


**MODEL:
RH-KT2959-GBV**



**Slant Hood
Operation/ Installation Manual**

Rinnai

CONTENTS

Intended Use	Page 3
Safety Information	Page 4
Environmental Protection	Page 6
Operating Mode	Page 6
Operating Instructions	Page 7
Care and Maintenance	Page 10
Trouble Shooting	Page 14
Specification and Component List	Page 16
Installation Instructions	Page 17



IMPORTANT

To register your product warranty, please paste the serial number stickers enclosed with the packaging on your warranty card.

Please contact your local Rinnai After Sales Service Center should you require further assistance.

Intended Use

Please read this user manual thoroughly before attempting to use this appliance for the first time. This manual contains important information on safe installation, use and care of the appliance. Keep these instructions for reference and pass them on to future user.

This appliance can only be used safely if it is correctly installed according to the safety instructions. The installer is responsible for ensuring that the appliance works correctly at its installation location.

This appliance is intended for domestic use and household environment only. The appliance is designed to eliminate unpleasant odours from the kitchen. Do not use the hood for other uses than its specific purpose. Do not leave the appliance unattended during operation.

This appliance may be used by children over the age of 8 years old and by persons with reduced physical, sensory or mental capacity or by persons with a lack of experience or knowledge if they are supervised by someone who is responsible for their safety or have been instructed in how to use the appliance safely and have understood the risks involved in not using it properly.

Children must not play with the appliance. Cleaning and user maintenance must not be performed by children unless they are over 15 years of age and are supervised. Keep children below the age of 8 years old at a safe distance from the appliance and power cable.

Check the appliance for damage after unpacking it. Do not connect the appliance if it has been damaged during transport.



Important

This extractor hood is intended for use in ducted mode only.

The manufacturer is not liable for any damage which is caused by improper use or incorrect operation.

Safety Information



Warning – Suffocation

- Packaging material is dangerous to children. Never allow children to play with packaging material.



Warning – Risk of Fire

- Do not operate the extractor without a grease filter. It is important to clean and/or replace the grease filters at appropriate intervals. Grease deposits build-up increases the risk of fire.
- Do not flambé or grill with an open flame directly under the extractor hood. Flames could be drawn up into the hood by the suction and the grease filters may catch fire. Do not install the extractor hood near a heat producing appliance for solid fuel (e.g. wood or coal) unless a closed, non-removable cover is available. There must be no flying sparks.
- Monitor cooking continuously as overheated oil increases the risk of self-ignition. Never use water to put out burning oil or grease. Switch off the cooker. Extinguish flames carefully using a lid, fire blanket or something similar.
- Never leave high naked flames under the extractor hood when it is in operation. An extractor hood installed above the cooker may become damaged or catch fire. Always cover lit burners with cookware.
- Ensure that the power supply cord is free from any heat source or sharp objects.
- Multiple plugs and extension cables must not be used. Overloading is dangerous and may cause a fire.
- Operating several gas burners at the same time gives rise to a great deal of heat. An extractor hood installed above the cooker may become damaged or catch fire.



Warning – Risk of Burns

- Accessible parts become very hot when in operation. Never touch hot parts. Keep children at a safe distance.
- Appliance becomes hot during operation. Allow the appliance to cool down before cleaning.



Warning – Risk of Injury

- Incorrect repairs are dangerous. Repairs should be attempted by our qualified technical personnel's only. If the appliance is defective, unplug the appliance from the mains or switch off the circuit breaker in the fuse box. Contact your local Rinnai After Sales Service Center for assistance.
- It is dangerous to modify any part of this appliance. Tampering with electrical connections or mechanical parts can cause operation faults and may put the user at risk.
- Do not use any high pressure cleaners or steam cleaners, which can result in an electric shock.
- Penetrating moisture may result in an electric shock. Clean the appliance using a damp cloth only. Before cleaning, pull out the mains plug or switch off the circuit breaker in the fuse box.
- Components inside the appliance may have sharp edges. Wear protective gloves.
- Lighting emitted by the LED lights are very dazzling and can damage the eyes. Do not look directly into lighted LED lights for longer than 100 seconds.



Warning – Risk of Electric Shock

- A defective appliance may cause electric shock. Never switch on a defective appliance. Unplug the appliance from the mains or switch off the circuit breaker in the fuse box. Contact your local Rinnai After Sales Service Center for assistance.
- Incorrect repairs are dangerous. Any repairs and replacements of damaged power cable or components should be attempted by our qualified technical personnel's only. Contact your local Rinnai After Sales Service Center for assistance.
- Penetrating moisture may result in an electric shock. Clean the appliance using a damp cloth only. Before cleaning pull out the mains plug or switch off the circuit breaker in the fuse box.



Warning – Cause of Damage

- Always switch on the appliance while cooking to avoid condensation. Condensation can produce corrosion damage.
- Always replace faulty lights to prevent the remaining lights from overloading.
- Do not clean the controls with a wet cloth as this may risk damage due to ingress of humidity into the electronic circuitry.
- Clean all stainless steel surfaces in the direction of the grain only as incorrect cleaning may damage the stainless steel surface. Do not use any stainless steel cleaners for controls.
- Never use strong and abrasive cleaning agents as this may cause damage to the stainless steel surface
- There is a risk of surface damage if you do not peel off the protective film. Remove the protective film from all parts of the appliance before using the appliance for the first time.

Environmental Protection

Energy Saving

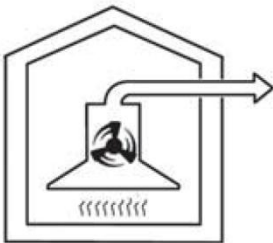
- During cooking ensure that there is a sufficient supply of air to enable the extractor hood to work efficiently and with a low level of operating noise.
- Adjust the fan speed to the amount of cooking vapor produced during cooking. Only use intensive / booster mode when required. Operating the fan speed at lower levels consumes less energy.
- Switch off the extractor hood if you no longer require it.
- Clean and replace the grease filters at regular intervals in order to increase the effectiveness of the extractor hood and to prevent the risk of fire.

Disposal

- This appliance and its packaging are environmentally friendly and recyclable. Please help us to care for the environment by disposing the packaging in a proper manner and recycling any old appliances.
- Before disposing an old appliance, disconnect it from the power supply and cut the power supply cord to prevent hazards.

Operating Mode

Ducted Mode



In ducted mode, the extractor hood fan extracts the cooking vapours and passes them through the grease filter. The air then flows to the outside.

The grease filter absorbs the solid particles in the cooking vapours.

In this mode, **only grease filters are installed (charcoal filter is optional)**.

Operating Instructions


Operating the Extractor Hood


Touch the sensor buttons gently to operate this appliance.

To achieve better air extraction, it is advisable to switch on the extractor hood a few minutes before starting to cook and leave it on for approximately 15 minutes after cooking (or at least all cooking smell is completely removed).


Control Panel




 **STANDBY MODE:** When the extractor hood is powered up for the first time or powered up again after a power outage, the power ON/OFF orange ring symbol backlight will light up.

 **POWER ON/OFF:** Touch this symbol to switch the extractor hood to the ON or OFF position. When the extractor hood is switched to ON position, all the symbol backlights on the control panel, Rinnai logo and the decorative lights will light up at the same time including the numerical 0 on the display window.

Note: If the sensor detects that there is no movement on the control panel for approximately 40 seconds it will automatically switch back to standby mode. The decorative lights will also turn off by itself. To power up the extractor again touch the ON/OFF symbol again.

 Touch this symbol to increase the fan setting (1 – 2 – 3 – 4 - P). To turn off set to 0.

 Touch this symbol to decrease the fan speed (P – 3 – 2 – 1). To turn off set to 0.

Note: Elevation of the Glass Panel

When the fan is turned ON while the glass panel is in closed mode, the glass panel will automatically ascend until it is fully opened and the LED light will light up.



To set to Booster Mode: Increase the fan setting until you see a P on the display window. After approximately 10 minutes it will automatically switch back to fan setting 3. To terminate the booster function before the preset time expires, touch the fan setting increase or decrease symbol.

Note: When using booster function the delay timer cannot be used at the same time.



Touch this symbol to control the LED lights and Decorative lights setting

Note: This function operates independently from the fan settings

LED Light Setting: Touch the lamp symbol once to turn ON and OFF the LED lights.

DECORATIVE Light Setting: Hold the lamp symbol for 2 seconds to enter setting mode to change the preset lighting program

After entering setting mode alphabet "A." will appear on the display window, to change to other colors please hold the lamp symbol again for 2 seconds to change to other colors.

To change the brightness of each color hold the lamp symbol for 2 seconds to enter setting mode and choose the color that you want to change the brightness. To change the brightness, press the increase or decrease symbol.

Factory Setting for the Decorative Lights:

"A.": Cyan Color

"B.": Red Color

"C.": Green Color

"D.": Blue Color

"E.": White

"F.": Mix Color (Select the red, green and blue LEDs to mix colors according to their brightness set in previous "B", "C" and "D" selection separately ("+" and "-" buttons do not respond).

"G.": Running Color (Cyan – Red – Green – Blue) Brightness cannot be change in this setting.

NOTE: After the Decorative light mode has been set, it will automatically memorise the setting.



a. To set up delay timer increase the fan speed to 1 or 2 or 3 as required.

b. Touch the timer symbol to begin setting the required time. Both the fan speed number on the display window and the timer symbol will begin flashing for 5 seconds.

c. Set the required time by touching on the timer icon

d. After the required time is set, the extractor hood will automatically switch back to the fan setting earlier and the timer ring symbol backlight will start flashing

e. When the preset times has expired, the timer ring symbol backlight will stop approximately 5 seconds later.

f. To disable this function before the preset time expires, touch the fan speed setting symbol to 0. Timer will automatically cut off approximately 5 seconds later.

Note: Touching once on the timer icon will indicate a number 1 on the display window. The timer is preset from a minimum of 5 minutes to a maximum of 20 minutes where 1 is equivalent to 5 minutes, 2 is 10 minutes, 3 is 15 minutes and 4 is 20 minutes.



To set up clean and fresh function after cooking, set the fan increase/decrease symbol to 0 on the display window. Turn OFF the LED light panel by touching and holding the light symbol for approximately 1 second. Touch and hold the timer symbol for approximately 3 seconds. An audible signal will sound as an acknowledgement. When the signal tone is activated, the function will start and after approximately 40 seconds all lights will be turn off except for the ON/OFF symbol orange ring backlight and the timer symbol orange ring flashing. To disable this function before the preset time expires, touch the ON/OFF symbol, all symbols will light up. Touch the timer symbol for approximately 3 seconds to disable this function.

Another alternative to operate this clean and fresh function if there is a need to clean the air in the room when there is no cooking is to switch ON the extractor hood by touching on the ON/OFF symbol. Touch and hold the timer symbol for approximately 3 seconds. An audible signal will sound as an acknowledgement. When the signal tone is activated, the function will start and after approximately 40 seconds all lights will be turn off except for the ON/OFF symbol orange ring backlight and the timer symbol orange ring flashing. To disable this function before the preset time expires, touch the ON/OFF symbol, all symbols will light up. Touch the timer symbol for approximately 3 seconds to disable this function.

Note: Clean and fresh function is preset to work for 5 minutes each hour for 24 hours at fan setting speed 1.



If the extractor hood has been operated for 90 hours a white backlight dot will start flashing on the lower right side of your display window. This is to remind you that the metal grease filter should now be clean if you have not done so.

Note: To reset this function hold the timer symbol for approximately 5 seconds



If your extractor hood has been operated for 270 hours a white dot saturation indicator will light up solidly on the lower right side of your display window to remind you that it is time to change the charcoal/carbon filter if you have not done so. If heavy cooking is observed or when the charcoal filters is/are noticeably dirty or discoloured, have the charcoal filters replaced immediately. The charcoal filters are not washable and cannot be restored.

To reset this function touch and hold the timer symbol for approximately 5 seconds.

Note: The saturation indicator for charcoal/carbon filter does not apply to this model

Care and Maintenance



Warning: Before carrying out any cleaning or maintenance activities, ensure that the appliance is disconnected from the main power supply.

Components inside the appliance may have sharp edges. Wear protective gloves.

Cleaning Agents

To ensure that the different surfaces are not damaged by using the wrong cleaning product, follow the instructions in the table. Do not use any of the following:

- Harsh or abrasive cleaning agents, e.g. scouring powder or liquid scouring cleaner
- Cleaning products with a high alcohol content
- Hard scouring pads or cleaning sponges
- Pressure washers or steam cleaners
- Cleaning products that dissolve limescale
- Aggressive all-purpose cleaning products

Note: Use a new soft sponge or cloth. Do wash thoroughly before each use. Never use a wire sponge or brush as it may leave scratches or other marks and follow all instructions and warnings included with the cleaning products.

Surface	Instruction
Stainless Steel	Clean with warm soapy water using a soft damp sponge or damp cloth
	Wipe off with a dry lint free cloth to avoid smearing or staining on the hood
	Clean in the direction of the grains only
Painted Surface	Clean with warm soapy water using a soft damp sponge or damp cloth
	Wipe off with a dry lint free cloth
	Do not use any stainless steel cleaner
Aluminum and Plastic	Clean with warm soapy water using a soft damp sponge or soft damp cloth
	Wipe off with a dry lint free cloth
Glass	Clean with a solution of warm water and a little washing up liquid using a soft damp sponge or damp cloth
	Wipe off with a dry lint free cloth
	Do not use a scraper
Controls	Clean with warm soapy water using a soft damp sponge or soft damp cloth
	Wipe off with a dry lint free cloth
	Never clean the controls with a wet cloth as there is a risk of damage to the electronics

Metal Grease Filter

Warning: It is important to regularly clean and/or replace the metal grease filters at appropriate intervals as grease deposits build-up increases the risk of fire. Do not operate the extractor hood without any grease filters installed.

Components inside the appliance may have sharp edges. It is advisable that you wear protective gloves.

Note: Kindly note the metal grease filter may fall during removal from the unit and this will result in damages to both the metal grease filter and any cooker hob below it. Please ensure that you hold the metal grease filter securely at all times when removing it from the unit.

Removing the Metal Grease Filter (Fig. 1, Fig.1. 1)

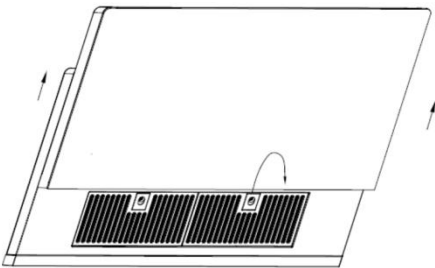


Fig.1

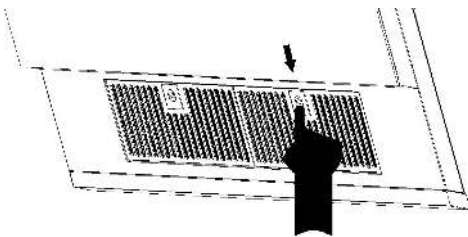



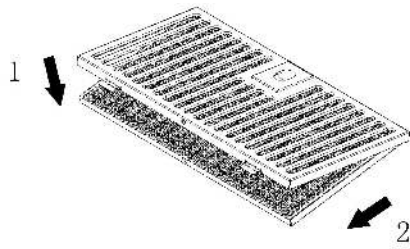


Fig.1.1

- Press the “” Power ON/OFF symbol to start up the extractor hood.
- Press the “” speed symbol to set fan speed to level 1. The glass panel will slide and ascend automatically till it is fully opened, the LED lights will light up.
- Press the “” speed symbol to decrease the fan speed to 0. Press the grease filter locking clip and gently pull down the grease filter, at the same time take hold of the grease filter from underneath using your other hand. The grease filter can only be removed when the fan is fully stopped.
- Insert back the grease filter and lock it in place after washing.
- Press Power ON/OFF Switch button to turn off the extractor hood after inserting the grease filter. At this time, the buzzer will buzz for 10 seconds, the glass panel will automatically slide and descend until it is fully closed.

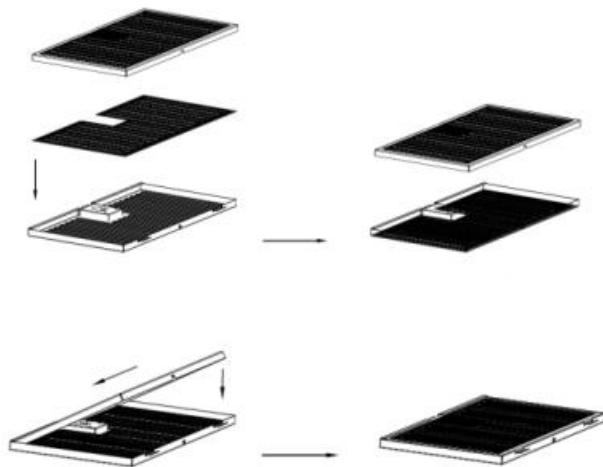
Note: Grease deposits may accumulate at the bottom of the metal grease filter. Hold the metal grease filter flat to prevent any grease or fats from dripping out of the filter.

Dismantling the Two Piece Metal Grease Filters (Fig.2, Fig.2a)



- To dismantle, hold the metal grease filter down and slide the top piece metal grease filter out. Remove the grease filter components and separate the inner and outer grease filter (Fig. 1)

Fig. 2



- To insert back, revise the above procedure. (Fig. 2. 1)

Fig. 2. 1

Cleaning the Metal Grease Filters

- Do not use any aggressive, acidic or alkaline cleaning products.
 - The metal grease filters must be removed and cleaned every 4 weeks depending on the frequency of usage or when the orange indicator light blinks on the control panel display window.
 - When cleaning the metal grease filters, also clean the grease filter holder and all accessible parts in the appliance using a damp cloth.
 - The metal grease filters can be cleaned in the dishwasher or by hand.
- If by hand washing: Soak the filters in warm detergent solution (approx. 40°C) to simplify the removal of grease. Brush the grease filters, rinse thoroughly and leave it to dry before refitting.
- If by dishwasher: Use normal domestic dishwashing detergent, select an appropriate wash program (no more than 70°C), do not clean heavily soiled grease filters together with any cookware. Place the grease filters in the dishwasher leaving plenty of space around them. Leave it to dry before refitting.

Note: A slight discolouration of the metal grease filter may occur. This discolouration has no effect on the performance of the grease filters.

Installing the Metal Grease Filter

- Insert back the metal grease filter and lock it in place, at the same time take hold of the grease filter from underneath using your other hand to insert into the grease filter holder, make sure the grease filter is positioned correctly.
- If the metal grease filter has not been inserted correctly, the buzzer (fast beat) will sound, and the glass panel will not descend until the metal grease filter is properly inserted, press the grease filter locking clip and reinsert it again. When the metal grease filter is correctly inserted, the buzzer will buzz again for 10 seconds before the glass panel slides to descend until it is fully closed.

Cleaning the Appliance Body

- Clean the extractor hood using warm detergent solution and a soft damp cloth. After cleaning, dry it using a lint free cloth.
- Avoid using corrosive or abrasive products that could damage the surface.
- Do not clean the controls with a wet cloth as this may risk damage due to ingress of humidity into the electronic circuitry

Oil Collector Cup

Cleaning the Oil Collector Cup (Fig. 3 & Fig. 3. 1)

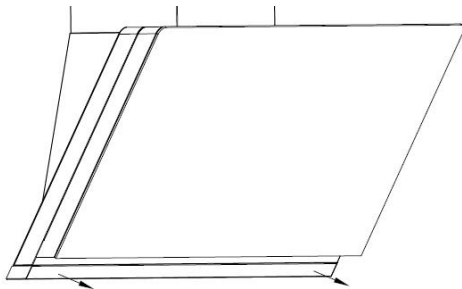


Fig.3

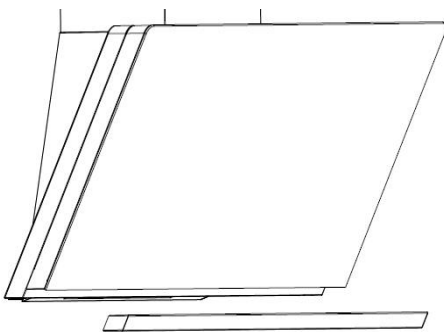


Fig.3.1

- Hold both sides of the oil collector in a horizontal position and slowly slide the oil collector from the unit. As oil may be present in the oil collector hold the oil collector flat when removing it out of the housing. (Fig. 3 & Fig. 3. 1)
- Clean the oil collector by using warm detergent solution. Leave it to dry before refitting
- Reverse the procedure when fitting back.
- If the oil level is seen to filled up to two thirds of the oil collector, you are requested to dispose the oil to avoid any overflowing

LED Lights

Defective LED lights can only be replaced by the manufacturer, their customer service or their authorized after sales service agents only.

Trouble Shooting



Warning: Incorrect repairs are dangerous. Repairs should be attempted by our qualified technical personnel's only. If the appliance is defective, unplug the appliance from the mains or switch off the circuit breaker in the fuse box. Contact your local Rinnai After Sales Service Center for assistance.

Problem	Possible Cause	Solution
The Extractor Hood Does Not Work	No electricity supply	Check power plug is connected properly and main power switch is turned on
	Faulty Fuse	Check fuse box of the extractor hood to make sure fuse is not blown
Whirring Sound	Foreign object may be in contact with fan blade	Please contact your local Rinnai After Sales Center
Motor is Running but No Air Flow	Non return flap might be jammed	Please contact your local Rinnai After Sales Center
Lights are Not Working	The LED lights are defective	Please contact your local Rinnai After Sales Center
Sliding Glass Panel does not Elevate	Power plug is not plug in correctly	Plug in the power plug again
	Sliding track might be defect	Please contact your local Rinnai After Sales Center
	Rotating module might be spoilt or stuck	Please contact your local Rinnai After Sales Center
	Sliding glass motor might be spoilt	Please contact your local Rinnai After Sales Center
	Circuit board or switch assembly might be damaged	Please contact your local Rinnai After Sales Center
Sliding Glass Panel Assembly Return when Moving	Limit Switch Failure	Please contact your local Rinnai After Sales Center
Audio Signal is Not Functioning	PCB Board Failure	Please contact your local Rinnai After Sales Center

If problem persists after the above checks, please contact your local Rinnai After Sales Service Center for assistance.

Please quote the model number of your appliance as shown on the rating plate. (Fig. 4)

For service calls under warranty, please note that it is necessary to produce your proof of purchase and valid warranty card.

Please be aware that a visit by an after-sales engineer might incur charges if a problem turns out to be the result of user's error even during the warranty period.

Note: Rating plate is for illustration purpose only and its specifications may vary across other models

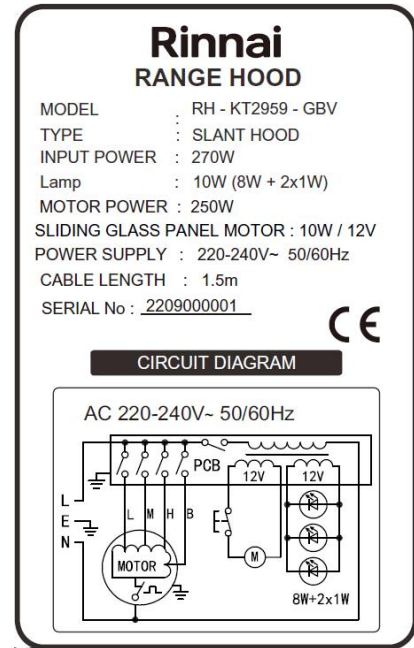
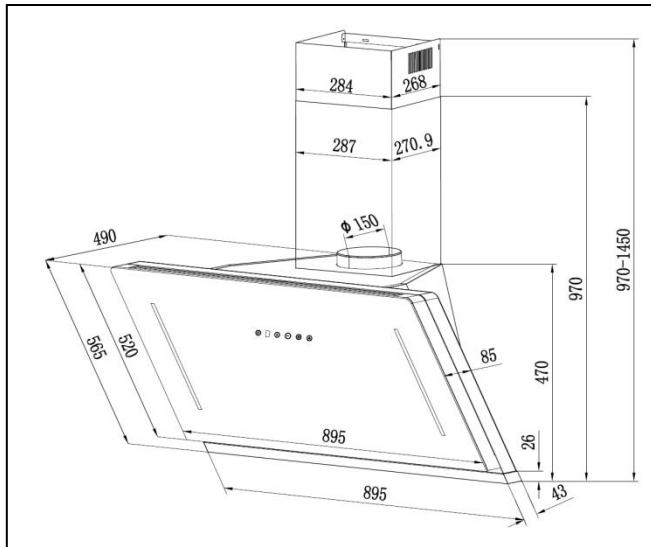


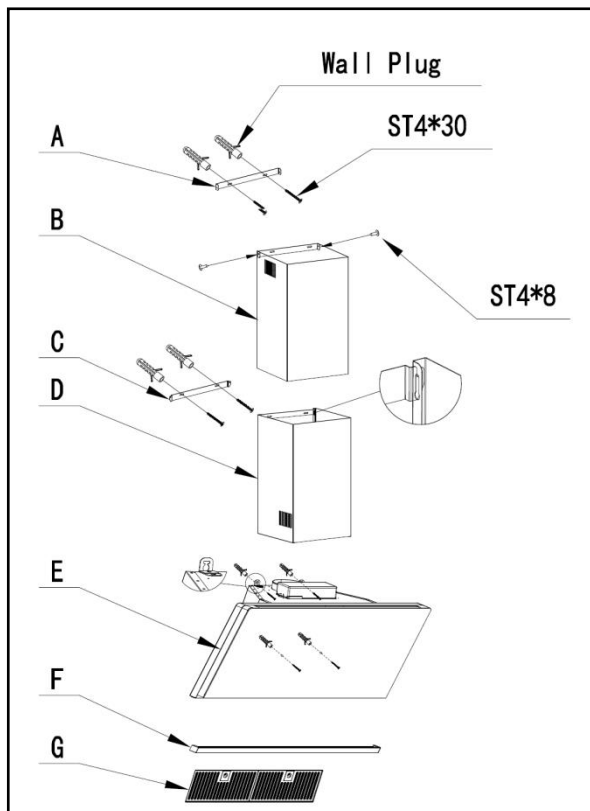
Fig. 4

Specification



Model:	RH-KT2959-GBV
Power Rating:	270W
Voltage:	220-240V~
Power Frequency:	50/60Hz
Power of Lamps:	10W (8W Led strip + 2 x 1W Decorative light)
Length of the cable:	1.5m
Appliance Dimensions:	898 x 490 x 970 - 1450mm (W x D x H)
*The manufacturer reserves the right to effect any technological improvement or modification without prior notice.	

Components List

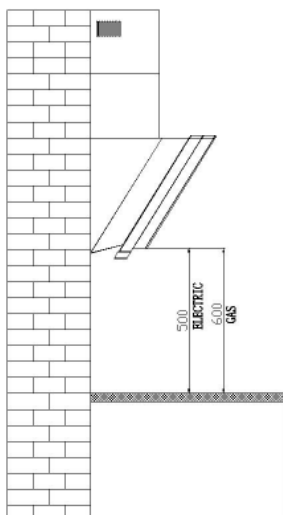


Ref	Qty	Product Parts
A	1	Mounting Bracket 1
B	1	Inner Duct
C	1	Mounting Bracket 2
D	1	Outer Duct
E	2	Hood Body
F	2	SS oil collector
G	1	Aluminum Filter with SS Cover
Ref	Qty	Installation Accessories
	8	Wall Plug
	8	Screw ST4*30
	2	Screws ST4*8
Ref	Qty	Documentation
	1	Installation Manual
	1	1: 1 Installation Diagram
	1	Warranty Sticker

Installation Instructions

Safety and General Information

- Read these instructions carefully. Check the appliance for damage after unpacking it.
- The appliance can only be used safely if it is correctly installed according to the safety instructions. The installer is responsible for ensuring that the appliance works correctly at its installation location.
- If the supply cord is damaged, it must be replaced by the manufacturer, its service agent or qualified technical personnel in order to avoid a hazard.
- The surfaces of the appliance are easily damaged. Avoid damaging them during installation.
- This appliance is intended to be mounted on the wall.
- The extractor hood can be installed over any gas and electric cooktop. Minimum installation height from the bench top to the bottom of the hood is Min 600mm (gas range) and Min 500mm (electric range). Fig 5
- Always mount the extractor hood over the center of the hob.
- Ensure that the appliance is installed in a location with good permanent ventilation.
- When making electrical connections, check that the mains voltage and frequency corresponds to the technical information shown on the rating plate.
- Electrical connection must be made in accordance to local standards only. Check that the voltage in your area is correct before plugging in.
- Use an electrical connector with earth that is correct for your location. The electrical connection of this appliance must be connected to earth (where applicable):
 - Green & Yellow = EARTH
 - Blue = NEUTRAL
 - Brown = LIVE



Minimum installation height:

Gas range Min 600mm

Electric range Min 500mm

Fig. 5



Warning

Components inside the appliance may have sharp edges. Wear protective gloves.

- The extractor hood may fall down if it has not been properly fastened in place. All fastening components must be fixed firmly and securely.
- The extractor hood is heavy. To move the appliance 2 people are required. Use only suitable tools and equipment.
- Changes to the electrical or mechanical assembly are dangerous and may lead to malfunctions. Do not make any changes to the electrical or mechanical assembly.
- Components inside the appliance may have sharp edges. These may damage the connecting cable. Do not kink or pinch the connecting cable during installation.
- It must always be possible to disconnect the appliance from the electricity supply.
- The appliance must only be connected to a protective contact socket that has been correctly installed.
- The mains plug of the mains power cable must be easily accessible after installation of the appliance. If this is not possible, an all-pole isolating switch must be integrated into the permanent electrical installation
- The permanent electrical installation must only be wired by a professional electrician.

Note: The manufacturer will not be held liable for any damages resulting from improper installation nor failure to adopt proper safety measures during installation and operational use of the appliance.

Checking the Wall

- Do ensure the wall must be level, vertical and adequately loadbearing.
- The depth of the bore holes must be the same length as the screws. The wall plugs must have a secure grip.
- The enclosed screws and wall plugs are suitable for solid brickwork. Suitable fasteners must be used for other structures (e.g. plasterboard, porous concrete, perforated bricks).
- The max weight of the extractor hood is 40kgs.

Preparing the Installation

Ensure that there are no electrical wires, gas pipes or water pipes in the area where holes are to be drilled.

Step 1 (Fig. 6)

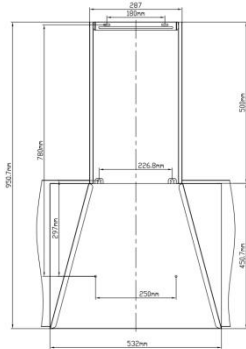


Fig. 6 1=1 Installation

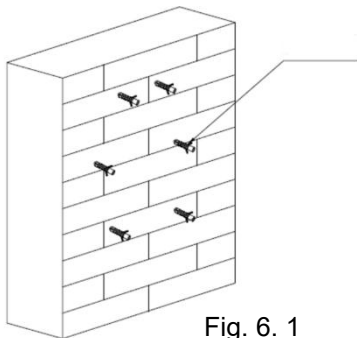


Fig. 6. 1

- Determine where the extractor hood should be positioned and lightly mark where the lower edge of the appliance should be on the wall. Determine where the middle should be based on the hob. (Fig. 6)

- Place the template against the line drawn on the wall and tape it in place. Mark the area where the screws should be inserted.

- Drill 8mm diameter holes to a depth of 40mm for fastening the appliance, remove the template and press in the wall plugs flush with the wall and mount the screws (Do not tighten) (Fig. 6. 1)

Attaching and Aligning the Extractor Hood

Step 2 (Fig. 7, Fig. 7. 1, Fig. 7. 2)

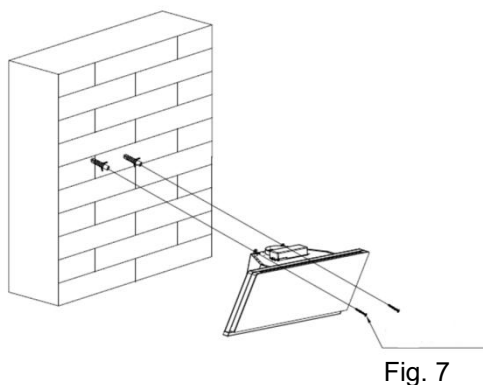
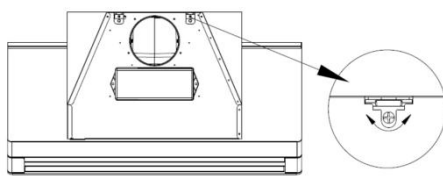
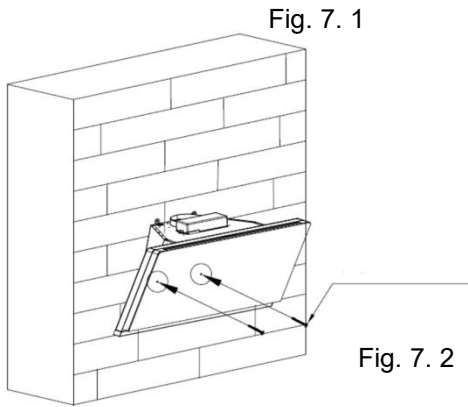


Fig. 7

- Mount the appliance onto the wall and do ensure that it is properly engaged with the mounting screws 3 & 4 (Fig. 7)



- If there is a need to realign the appliance, adjust the screws on the top of the motor housing (Fig. 7. 1)



- Tighten the screws 3, 4, 5, 6 firmly after realignment. (Fig. 7. 2)

Rinnai Customer Care Centres

China | 中国

Guangzhou Rinnai Gas & Electric
Room 2805, No.31 Jianghe Building,
Rinnai Road, Guangzhou, China
广州林内燃气具电器有限公司
中国广州天河区天寿路 31 号江河大厦 2805 室
Tel 电话 : (86) 20 3821 7976
Email 邮箱 : grrjdq@gzrinnai.com.cn
URL 网址 : www.gzrinnai.com.cn

Indonesia

PT. Bhakti Idola Tama
Jl. Raya Perjuangan No.21
Komp. Ruko Sastra Graha No.11-13
Jakarta 11530
Tel : (62) 0800 1 889 889 (Customer Care) /
(0815 112 99999 (SMS Center)
Email: customercare_bit@yahoo.com
URL: www.rinnai.co.id

Macau | 澳門

Rinnai Appliance Service Center
Nam Kwong Petroleum & Chemicals Co., Ltd
Avenida do Dr. Rodrigo Rodrigues, Nam Kwong
Building, 17/F, Macau
Phone 電話 : (853)83911712
Fax 傳真 : (853)28330856
URL 网址 : www.rinnai.com.hk/mo

Malaysia

Rinnai (M) Sdn Bhd
D2-3-G & D2-3-1, Block D2, Pusat Perdagangan Dana 1,
Jalan PJU 1A/46, 47301 Petaling Jaya,
Selangor Darul Ehsan, Malaysia
Tel : (60) 3 7832 0037 / 7832 0038 / 7832 0039
Fax : (60) 3 7832 0036
Toll free: 1800-88-8180
Email: customercare@rinnai.com.my
URL : www.rinnai.com.my

Myanmar | မြန်မာ

Myanmar Kowa International Co., Ltd
No.199, Ground Floor, 34th Street (Upper Block),
Kyauktada Township, Yangon, Myanmar
အမှတ် (၁၉၉) ဥက္ကဋ္ဌ လမ်း (အပေါ်ဘလောက်)
ကျောက်တံတားမြို့နယ်၊ ရန်ကင်းမြို့။
Tel ဖုန်း : (95-1) 245925 / 246304 / (95-9) 7300 7773
Fax ဖုန်း(၆) : (95-1) 245925
Email အီးမေးလ် : marketing@myanmarkowa.com

Philippines

Mitsui Industria Corporation
10 Buenaventura St., Cor MacArthur
Highway, Dalandan Valenzuela City,
Philippines
Tel : (63) 2 292 9177 / 292 9179
Fax : (63) 2 292 8187

Singapore

Rinnai Holdings (Pacific) Pte Ltd
61 Ubi Road 1 #02-20 & 21
Oxley Bizhub Singapore 408727
Tel : (65) 6748 9478
Fax : (65) 6745 9240
Email : service@rinnai.sg
URL : www.rinnai.sg

Thailand | ประเทศไทย

Rinnai (Thailand) Co., Ltd. / Lucky Flame Co., Ltd.
61/1 Soi Kingkaew 9, Kingkaew Rd.
Racha Thewa, Bangphli, Samutprakarn 10540, Thailand
บริษัท รินไน (ประเทศไทย) จำกัด
เลขที่ 61/1 ซอยกิ่งแก้ว 9 ถนนกิ่งแก้ว ตำบลราชาเทวะ
อำเภอเมืองทลิ่ง จังหวัดสมุทรปราการ
ประเทศไทย 10540
Tel : (66) 2 3124330-40
Email : lucky02@luckyflame.co.th
URL : www.luckyflame.co.th

Vietnam | Việt Nam

Rong Viet Commerce Company Limited
120 3/2 Street, Ward 12, District 10,
Ho Chi Minh City, Vietnam
Công Ty TNHH Thương Mại Rõng Việt
120 Đường 3/2, Phường 12, Quận 10,
TP. Hồ Chí Minh, Việt Nam
Tel : (84) 8 3862 3409
Fax : (84) 8 5404 1964
Email : info@rongviet-rinnai.com
URL : www.rongviet-rinnai.com