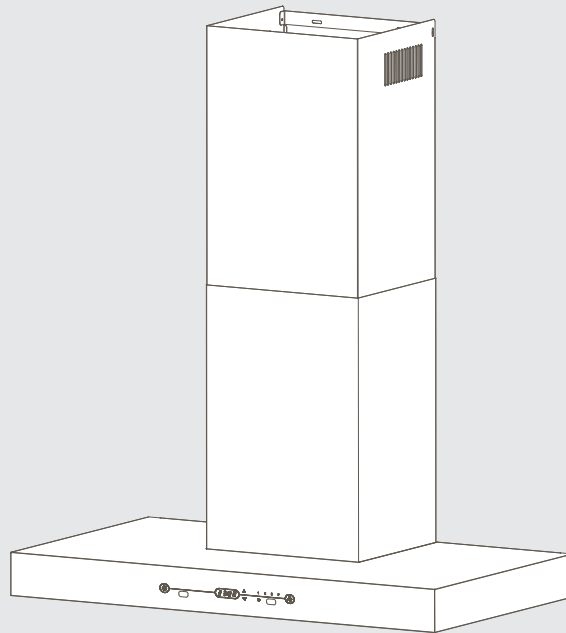


**MODEL:
RH-C1159-PBW**



**Extractor Hood
Instruction / Installation Manual**

Rinnai

CONTENTS

Intended Use	Page 1
Safety Information	Page 2
Environmental Protection	Page 4
Operating Mode	Page 4
Operating Instructions	Page 5
Care and Maintenance	Page 8
Trouble Shooting	Page 12
Specification and Component List	Page 13
Installation Instructions	Page 14



IMPORTANT

To register your product warranty, please paste the serial numbers stickers enclosed with the packaging on your warranty card.

Please contact your local Rinnai After Sales Service Center should you require further assistance.

Intended Use

Please read this user manual thoroughly before attempting to use this appliance for the first time. This manual contains important information on safe installation, use and care of the appliance. Keep these instructions for reference and pass them on to future user.

This appliance can only be used safely if it is correctly installed according to the safety instructions. The installer is responsible for ensuring that the appliance works correctly at its installation location.

This appliance is intended for domestic use and household environment only. The appliance is designed to eliminate unpleasant odours from the kitchen. Do not use the hood for other uses than its specific purpose. Do not leave the appliance unattended during operation.

This appliance may be used by children over the age of 8 years old and by persons with reduced physical, sensory or mental capacity or by persons with a lack of experience or knowledge if they are supervised by someone who is responsible for their safety or have been instructed in how to use the appliance safely and have understood the risks involved in not using it properly.

Children must not play with the appliance. Cleaning and user maintenance must not be performed by children unless they are over 15 years of age and are supervised. Keep children below the age of 8 years old at a safe distance from the appliance and power cable.

Check the appliance for damage after unpacking it. Do not connect the appliance if it has been damaged during transport.



The manufacturer is not liable for any damage which is caused by improper use or incorrect operation.

Safety Information



Warning – Suffocation

- Packaging material is dangerous to children. Never allow children to play with packaging material.



Warning – Risk of Fire

- Do not operate the extractor without a grease filter. It is important to clean and/or replace the grease filters at appropriate intervals. Grease deposits build-up increases the risk of fire.
- Do not flambé or grill with an open flame directly under the extractor hood. Flames could be drawn up into the hood by the suction and the grease filters may catch fire. Do not install the extractor hood near a heat producing appliance for solid fuel (e.g. wood or coal) unless a closed, non-removable cover is available. There must be no flying sparks.
- Monitor cooking continuously as overheated oil increases the risk of self-ignition. Never use water to put out burning oil or grease. Switch off the cooker. Extinguish flames carefully using a lid, fire blanket or something similar.
- Never leave high naked flames under the extractor hood when it is in operation. An extractor hood installed above the cooker may become damaged or catch fire. Always cover lit burners with cookware.
- Ensure that the power supply chord is free from any heat source or sharp objects.
- Multiple plugs and extension cables must not be used. Overloading is dangerous and may cause a fire.
- Operating several gas burners at the same time gives rise to a great deal of heat. An extractor hood installed above the cooker may become damaged or catch fire.



Warning – Risk of Burns

- Accessible parts become very hot when in operation. Never touch hot parts. Keep children at a safe distance.
- Appliance becomes hot during operation. Allow the appliance to cool down before cleaning.



Warning – Risk of Injury

- Incorrect repairs are dangerous. Repairs should be attempted by our qualified technical personnel's only. If the appliance is defective, unplug the appliance from the mains or switch off the circuit breaker in the fuse box. Contact your local Rinnai After Sales Service Center for assistance.
- It is dangerous to modify any part of this appliance. Tampering with electrical connections or mechanical parts can cause operation faults and may put the user at risk.

- Do not use any high pressure cleaners or steam cleaners, which can result in an electric shock.
- Penetrating moisture may result in an electric shock. Clean the appliance using a damp cloth only. Before cleaning, pull out the mains plug or switch off the circuit breaker in the fuse box.
- Components inside the appliance may have sharp edges. Wear protective gloves.
- Lighting emitted by the LED lights are very dazzling and can damage the eyes. Do not look directly into lighted LED lights for longer than 100 seconds.



Warning – Risk of Electric Shock

- A defective appliance may cause electric shock. Never switch on a defective appliance. Unplug the appliance from the mains or switch off the circuit breaker in the fuse box. Contact your local Rinnai After Sales Service Center for assistance.
- Incorrect repairs are dangerous. Any repairs and replacements of damaged power cable or components should be attempted by our qualified technical personnel's only. Contact your local Rinnai After Sales Service Center for assistance.
- Penetrating moisture may result in an electric shock. Clean the appliance using a damp cloth only. Before cleaning pull out the mains plug or switch off the circuit breaker in the fuse box.



Warning – Cause of Damage

- Always switch on the appliance while cooking to avoid condensation. Condensation can produce corrosion damage.
- Always replace faulty lights to prevent the remaining lights from overloading.
- Do not clean the controls with a wet cloth as this may risk damage due to ingress of humidity into the electronic circuitry.
- Clean all stainless steel surfaces in the direction of the grain only as incorrect cleaning may damage the stainless steel surface. Do not use any stainless steel cleaners for controls.
- Never use strong and abrasive cleaning agents as this may cause damage to the stainless steel surface.
- There is a risk of surface damage if you do not peel off the protective film. Remove the protective film from all parts of the appliance before using the appliance for the first time.

Environmental Protection

Energy Saving

- During cooking ensure that there is a sufficient supply of air to enable the extractor hood to work efficiently and with a low level of operating noise.
- Adjust the fan speed to the amount of cooking vapor produced during cooking. Only use intensive / booster mode when required. Operating the fan speed at lower levels consumes less energy.
- Switch off the extractor hood if you no longer require it.
- Clean and replace the grease filters at regular intervals in order to increase the effectiveness of the extractor hood and to prevent the risk of fire.

Disposal

- This appliance and its packaging are environmentally friendly and recyclable. Please help us to care for the environment by disposing the packaging in a proper manner and recycling any old appliances.
- Before disposing an old appliance, disconnect it from the power supply and cut the power supply cord to prevent hazards.

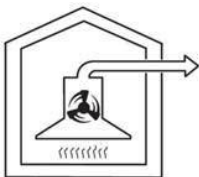
Operating Mode

Recirculating Air Mode



- The extractor hood fan draws in the cooking vapours and odors which is then clean by the grease filter and plasma filter. The clean air is then conveyed back to the kitchen via a vent opening in the hood.
Note: This extractor hood is intended for use in recirculating air mode only.

Ducted Mode Mode



- In ducted mode, the extractor hood fan extracts the cooking vapours and passes them through the grease filter. The air then flows to the outside. The grease filter absorbs the solid particles in the cooking vapours.
Note: In this mode, only grease filters are installed (charcoal filter is optional).

Connection to Exhaust Air Pipe



- Attach Ø150mm pipe directly to the air outlet and secure appropriately.
- If using Ø120mm pipe, connect to the air outlet using a reducing connector (not provided). Secure both joints appropriately.
- Connect pipe to the outdoor duct.

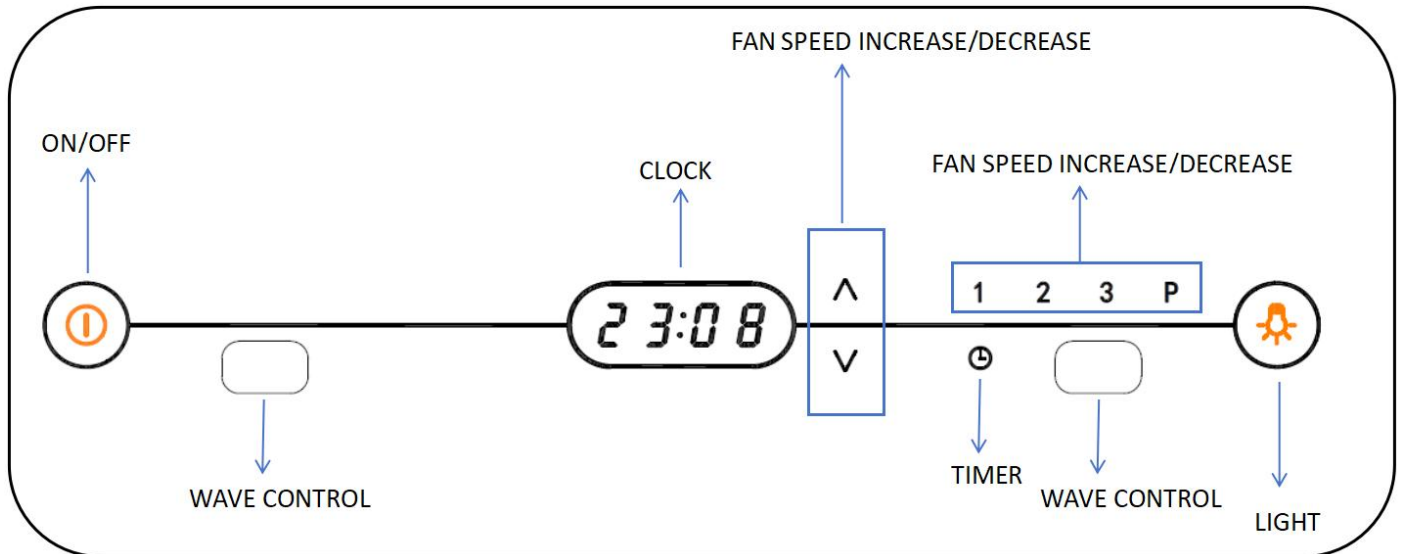
Operating Instructions

Operating the Extractor Hood

Touch the sensor buttons gently to operate this appliance.

To achieve better air extraction, it is advisable to switch on the extractor hood a few minutes before starting to cook and leave it on for approximately 15 minutes after cooking (or at least all cooking smell is completely removed).

Control Panel



I STANDBY MODE

When the extractor hood is powered up for the first time, all the LED lights and the digital screen illuminate for 1 second, the LED lights go off. The white ring around the power button turns off, the orange ring breathes, and the hood enters standby mode.

Note: When the first time powered off, display window shows "12:00", after user adjustment, the displays will show the real-time clock.

I POWER ON/OFF SWITCH

Press the ON/OFF switch symbol to power up the extractor hood in 3 speed, and light will on. To switch the Extractor Hood OFF, press the ON/OFF switch symbol.

^ V FAN SPEED INCREASE/DECREASE

To select fan speed, press on the increase and decrease fan setting symbol to select the require fan speed. (1 – 2 – 3 – P) (P - 3 - 2 - 1).

To set to Booster Mode, after approximately 10 minutes it will automatically switch back to fan setting 3. If you want to disable the booster function before the preset time touch on the fan setting decrease symbol.

Note: When using booster function the delay timer cannot be use at the same time.

1 2 3 P FAN SPEED INCREASE/DECREASE

To select fan speed, press the corresponding speed button briefly to switch between fan speeds. To set to Booster Mode, after approximately 10 minutes it will automatically switch back to fan setting 3. If you want to disable the booster function before the preset time touch on the fan setting decrease symbol.

Note: When using booster function the delay timer cannot be use at the same time.



WAVE CONTROL

In standby mode, waving from left to right at a uniform speed for approximately 1-2 seconds. Upon the first wave, the device powers on, the hood operates at speed 3, and the light turns on. With the second wave, it switches to speed 2, and with the third wave, it switched to speed 1. On the fourth wave, it returns to level 3, and this cycle repeats (3 - 2 - 1 - 3).

Regardless of the selected speed, when waving from right to left at a uniform speed for approximately 1-2 seconds, the hood will turn off.

Note: Gesture sensing distance is between 8 cm and 12 cm.



REAL CLOCK TIMER

Real-Time Clock: When the extractor hood is powered off, press and hold timer button for 3 seconds. The fan speed '∧' and '∨' buttons will light up, and the display window will blink, entering the real-time clock adjustment mode.

The clock display 'hour' -- ':' preceding the first two digits will blink. Use the '∧' or '∨' buttons to set the current 'hour', and press the '⌚' button to confirm the 'hour' value.

The clock display 'minute' -- Once the 'hour' value is confirmed, the clock will display the 'minute' (the last two digits following ':', will blink and enter the 'minute' setting. The 'minute' setting process is the same as the 'hour' setting.

After finished time setting, press the '⌚' button again to confirm the current time setting, and it will beep before returning to the powered-off state.

(Note: When using the '∧' or '∨' buttons to set time, the values won't blink as they change. Short presses of the buttons will increment or decrement values one step at a time, while long presses will continuously change the values.)



DELAY TIMER

To set up the delay timer, SHORT press on the timer switch symbol, the numerical number ("05: 00") on the display window will begin flashing. During this time set your prefer time delay by pressing on the timer switch symbol once.

After the required time is set, in approximately 5 seconds later the numerical number on the display window will display countdown.

To disable the delay timer before the preset time expires, press the TIMER switch symbol to cancel delayer timer and display window will turn back to real clock time.


Note: Touching once on the timer switch symbol indicates a numerical "05: 00" on the display window. The timer is preset from a minimum of 5 minutes to a maximum of 20 minutes where "05: 00" is equivalent to 5 minutes, "10: 00" is 10 minutes, "15: 00" is 15 minutes and "20: 00" is 20 minutes, "00: 00" is no delay timer function.


CLEAN and FRESH FUNCTION

There are 2 methods to set up the CLEAN & FRESH function.

To set up clean and fresh function when you are done cooking, press on the timer switch symbol and hold for approximately 3 seconds. The "ON/OFF" switch's white ring symbol will blink.

Press the ON/OFF switch symbol or delay timer function off will start the clean and fresh function.

To disable the clean and fresh function before the expire time, press and hold the "" + "V" to turn OFF this setting, the extractor hood will automatically go back to STANDBY MODE.

If there is a need to clean the air in the room when no cooking is observe. In standby mode, switch ON the extractor hood and press the timer switch symbol for approximately 3 seconds. The "ON/OFF" switch white ring symbol will light up. Press the ON/OFF switch symbol to start the operation immediately. To disable the clean and fresh function before the expire time, press and hold the "" + "V" to turn OFF this setting, the extractor hood will automatically go back to STANDBY MODE

Note: Clean and fresh function is preset to work for 5 minutes each hour for 24 hours at fan setting speed 1.

SATURATION DISPLAY

Metal Grease Filter / Activated Charcoal Filter

If your extractor hood metal grease filters is/are saturated, a white dot indicator light will flash on the lower right side of your display window to remind you to have them clean/wash if you have not done so.

If your extractor hood charcoal/carbon filters is/are saturated, a white dot saturation indicator light will light up solidly on the lower right side of your display window to remind you to have them change if you have not done so. If heavy cooking is observed or when the charcoal /carbon filters is/are noticeably dirty or discoloured, have them replaced immediately. The charcoal/carbon filters are not washable and cannot be restored.

Please refer to "Care and Maintenance" on page 00 of this manual for the instructions.

To reset, press and hold the "V" symbol for approximately 5 seconds.

LIGHTING

Press the light symbol switch to turn the lights to the ON/OFF position.

Note: The lights work independently from the fan.

Care and Maintenance



Warning: Before carrying out any cleaning or maintenance activities, ensure that the appliance is disconnected from the main power supply.

Components inside the appliance may have sharp edges. Wear protective gloves.

Cleaning Agents

To ensure that the different surfaces are not damaged by using the wrong cleaning product, follow the instructions in the table. Do not use any of the following:

- Harsh or abrasive cleaning agents, e.g. scouring powder or liquid scouring cleaner
- Cleaning products with a high alcohol content
- Hard scouring pads or cleaning sponges
- Pressure washers or steam cleaners
- Cleaning products that dissolve limescale
- Aggressive all-purpose cleaning products

Note: Use a new soft sponge or cloth. Do wash thoroughly before each use. Never use a wire sponge or brush as it may leave scratches or other marks and follow all instructions and warnings included with the cleaning products.

Surface	Instruction
Stainless Steel	Clean with warm soapy water using a soft damp sponge or damp cloth Wipe off with a dry lint free cloth to avoid smearing or staining on the hood Clean in the direction of the grains only
Painted Surface	Clean with warm soapy water using a soft damp sponge or damp cloth Wipe off with a dry lint free cloth Do not use any stainless steel cleaner
Aluminium and Plastic	Clean with warm soapy water using a soft damp sponge or soft damp cloth Wipe off with a dry lint free cloth
Glass	Clean with a solution of warm water and a little washing up liquid using a soft damp sponge or damp cloth Wipe off with a dry lint free cloth Do not use a scraper
Controls	Clean with warm soapy water using a soft damp sponge or soft damp cloth Wipe off with a dry lint free cloth Never clean the controls with a wet cloth as there is a risk of damage to the electronics

Metal Grease Filter



Warning: It is important to regularly clean and/or replace the metal grease filters at appropriate intervals as grease deposits build-up increases the risk of fire. Do not operate the extractor hood without any grease filter installed.

Components inside the appliance may have sharp edges. It is advisable that you wear protective gloves.

Removing the Metal Grease Filter (Fig. 1)

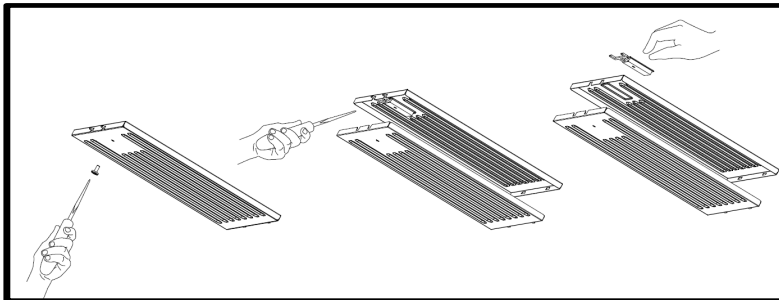


Fig. 1

- To dismantle, hold the metal grease filter down and pull down the top piece metal grease filter out. Remove the grease filter components and separate the metal grease filter.
- To insert back, revise the above procedure.

Cleaning the Metal Grease Filters

- Do not use any aggressive, acidic or alkaline cleaning products.
- The metal grease filters must be removed and cleaned every 4 weeks depending on the frequency of usage or when the orange indicator light blinks on the control panel display window.
- When cleaning the metal grease filters, also clean the metal grease filter holder and all accessible parts in the appliance using a damp cloth.
- The metal grease filters can be cleaned in the dishwasher or by hand.
 - If by hand washing: Soak the filters in warm detergent solution (approx. 40°C) to simplify the removal of grease. Brush the metal grease filters, rinse thoroughly and leave it to dry before refitting.
 - If by dishwasher: Use normal domestic dishwashing detergent, select an appropriate wash program (no more than 70°C), do not clean heavily soiled grease filters together with any cookware. Place the metal grease filters in the dishwasher leaving plenty of space around them. Leave it to dry before refitting.

Note: A slight discolouration of the metal grease filter may occur. This discolouration has no effect on the performance of the metal grease filters.

Installing the Metal Grease Filter

- Insert back the metal grease filter and lock it in place, at the same time take hold of the metal grease filter from underneath using your other hand to insert into the grease filter holder, make sure the metal grease filter is positioned correctly.
- If the metal grease filter has not been inserted correctly, open the lock and reinsert it again.

Cleaning the Appliance Body

- Clean the extractor hood using warm detergent solution and a soft damp cloth. After cleaning, dry it using a lint free cloth.
- Avoid using corrosive or abrasive products that could damage the surface.
- Do not clean the controls with a wet cloth as this may risk damage due to ingress of humidity into the electronic circuitry.

Oil Collector Cup

Cleaning the Metal Oil Collector Cup (Fig. 2)

- Hold the bottom of the oil cup with both hands and pull it outwards.
- After cleaning, hold the oil cup with both hands, hang it on both sides, and push it inwards to complete the installation.

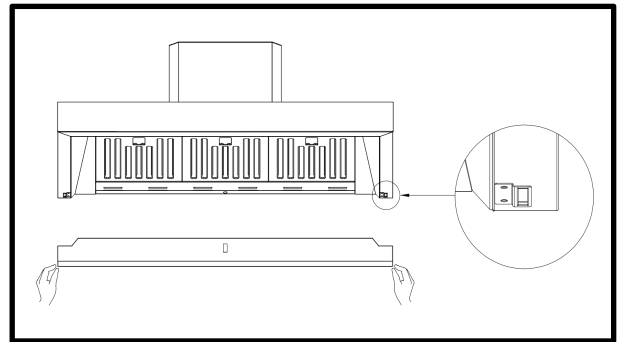


Fig. 2

Cleaning the Plastic Oil Collector Cup (Fig. 3 & Fig. 3. 1 & Fig. 3. 2)

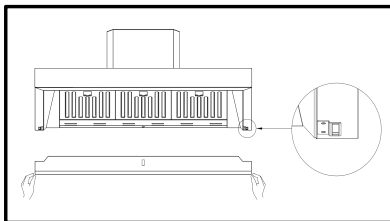


Fig. 3

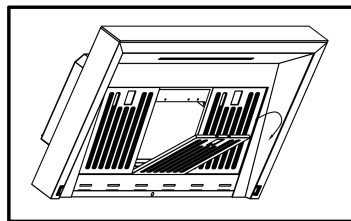


Fig. 3. 1

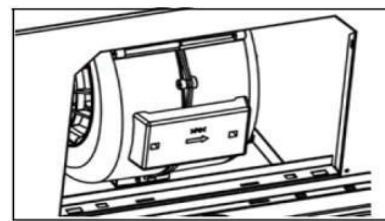


Fig. 3. 2

Gently pull out the metal oil collector cup and disconnect the power cable.

- Remove the metal grease filters and slide the plastic oil collector cup out from the housing. As oil may be present in the oil collector cup, hold the oil collector cup flat when removing it out of the housing.
- Clean the oil collector cup by using warm detergent solution. Leave it to dry before refitting.
- Reverse the procedure when fitting back.

LED Lights

Defective LED lights can only be replaced by the manufacturer, their customer service or their authorized after sales service agents only.

Charcoal Filter (*where applicable*) (Fig. 4 & Fig. 4. 1 & Fig. 4. 2)

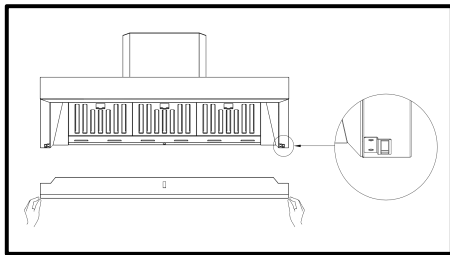


Fig. 4

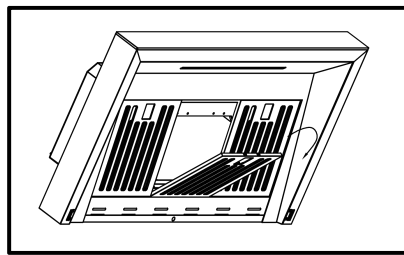


Fig. 4. 1

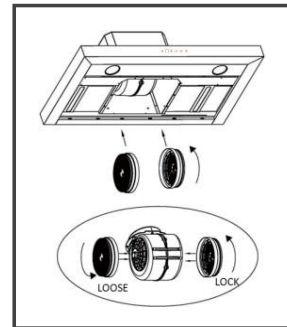


Fig. 4. 2

Gently pull out the metal oil collector cup and disconnect the power cable.

- Remove the metal grease filters and remove the saturated charcoal filter from the housing as shown. Turn the charcoal filter anti clockwise and pull down.
- Reverse the procedure when refitting the new charcoal filters.

Note: The charcoal filter should be replaced when you see the white indicator light lights up on the control panel display window or if it is noticeable dirty or discoloured, usually after 2 months depending on the conditions of use.

These charcoal filters are not washable and cannot be restored. To ensure that this appliance functions effectively, regular maintenance is necessary as clogged filters restrict airflow and may cause the motor to overheat.

Trouble Shooting



Warning: Incorrect repairs are dangerous. Repairs should be attempted by our qualified technical personnel's only. If the appliance is defective, unplug the appliance from the mains or switch off the circuit breaker in the fuse box. Contact your local Rinnai After Sales Service Center for assistance.

Problem	Possible Cause	Solution
The Extractor Hood Does Not Work	No electricity supply	Check power plug is connected and main power switch is turned on
	Faulty Fuse	Check fuse box of the extractor hood to make sure fuse is not blown
Whirring Sound	Foreign object may be in contact with fan blade	Please contact your local Rinnai After Sales Center
Motor is Running but No Air Flow	Non return flap might be jammed	Please contact your local Rinnai After Sales Center
Lights are not Working	The LED lights are defective	Please contact your local Rinnai After Sales Center

If problem persists after the above checks, please contact your local Rinnai After Sales Service Center for assistance.

Please quote the model number of your appliance as shown on the rating plate. (Fig. 5)

For service calls under warranty, please note that it is necessary to produce your proof of purchase and valid warranty card.

Please be aware that a visit by an after-sales engineer will be charged if a problem turns out to be the result of user's error even during the warranty period.

Note: Rating plate is for illustration purpose only and its specifications may vary across other models.

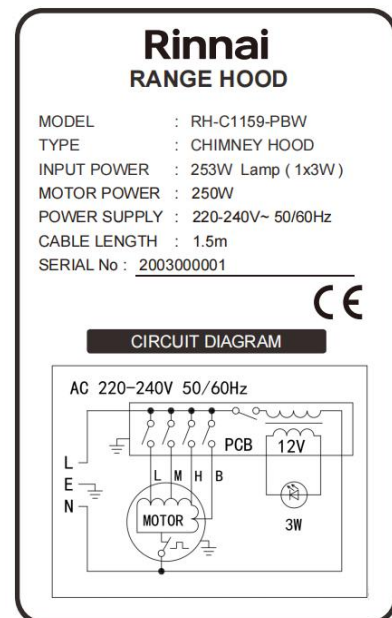
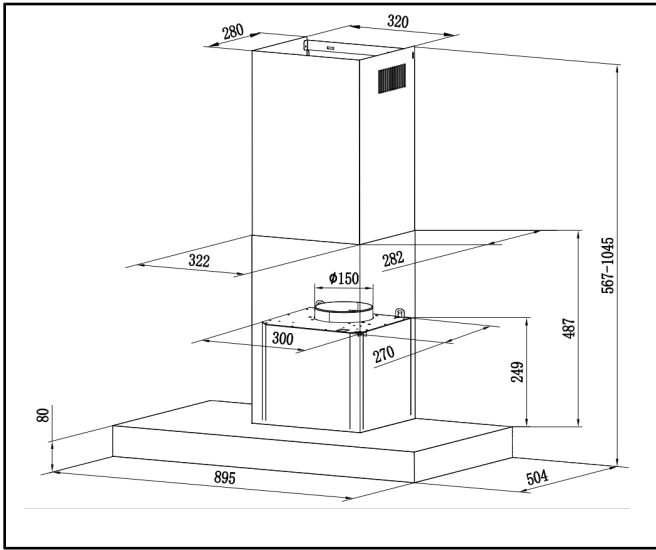


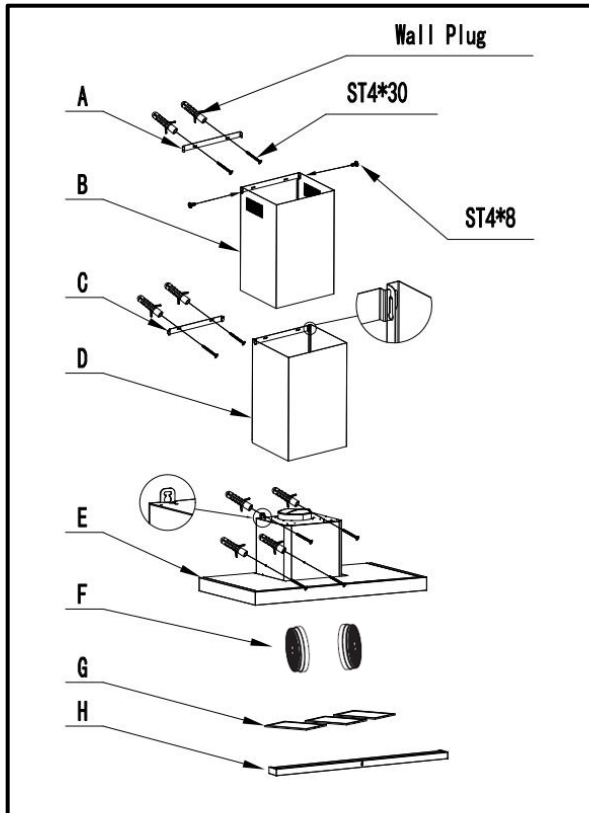
Fig. 5

Specification



Model:	RH-C1159-PBW
Power Rating:	253W
Voltage:	220-240V~
Power Frequency:	50/60Hz
Power of Lamps:	1 X 3W LED strip light
Length of the cable:	1.5m
Appliance Dimensions:	895 x 504 x 567 - 1045mm (W x D x H)
*The manufacturer reserves the right to effect any technological improvement or modification without prior notice.	

Components List

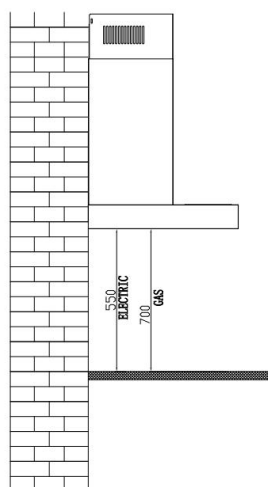


Ref	Qty	Product Parts
A	1	Mounting Bracket 1
B	1	Inner Duct
C	1	Mounting Bracket 2
D	1	Outer Duct
E	1	Hood Body
F	2	Charcoal Filter
G	3	Baffle Filter
H	1	Metal Oil collector
Ref	Qty	Installation Accessories
	8	Wall Plug
	8	Screw ST4*30
	2	Screws ST4*8
Ref	Qty	Documentation
	1	Installation manual
	1	1: 1 Installation Diagram
	1	Warranty Sticker

Installation Instructions

Safety and General Information

- Read these instructions carefully. Check the appliance for damage after unpacking it.
- The appliance can only be used safely if it is correctly installed according to the safety instructions. The installer is responsible for ensuring that the appliance works correctly at its installation location.
- If the supply cord is damaged, it must be replaced by the manufacturer, its service agent or qualified technical personnel in order to avoid a hazard.
- The surfaces of the appliance are easily damaged. Avoid damaging them during installation.
- This appliance is intended to be mounted on the wall.
- The extractor hood can be installed over any gas and electric cooktop. Minimum installation height from the bench top to the bottom of the hood is 700mm (gas range) and 550mm (electric range). Fig. 6
- Always mount the extractor hood over the center of the hob.
- Ensure that the appliance is installed in a location with good permanent ventilation.
- When making electrical connections, check that the mains voltage and frequency corresponds to the technical information shown on the rating plate.
- Electrical connection must be made in accordance to local standards only. Check that the voltage in your area is correct before plugging in.
- Use an electrical connector with earth that is correct for your location. The electrical connection of this appliance must be connected to earth (where applicable):
 - Green & Yellow = EARTH
 - Blue = NEUTRAL
 - Brown = LIVE



Minimum installation height:
Gas range 700mm
Electric range 550mm

Fig. 6



Warning

Components inside the appliance may have sharp edges. Wear protective gloves.

- The extractor hood may fall down if it has not been properly fastened in place. All fastening components must be fixed firmly and securely.
- The extractor hood is heavy. To move the appliance 2 people are required. Use only suitable tools and equipment.
- Changes to the electrical or mechanical assembly are dangerous and may lead to malfunctions. Do not make any changes to the electrical or mechanical assembly.
- Components inside the appliance may have sharp edges. These may damage the connecting cable. Do not kink or pinch the connecting cable during installation.
- It must always be possible to disconnect the appliance from the electricity supply.
- The appliance must only be connected to a protective contact socket that has been correctly installed.
- The mains plug of the mains power cable must be easily accessible after installation of the appliance. If this is not possible, an all-pole isolating switch must be integrated into the permanent electrical installation
- The permanent electrical installation must only be wired by a professional electrician.

Note: The manufacturer will not be held liable for any damages resulting from improper installation nor failure to adopt proper safety measures during installation and operational use of the appliance.

Checking the Wall

- Do ensure the wall must be level, vertical and adequately loadbearing.
- The depth of the bore holes must be the same length as the screws. The wall plugs must have a secure grip.
- The enclosed screws and wall plugs are suitable for solid brickwork. Suitable fasteners must be used for other structures (e.g. plasterboard, porous concrete, perforated bricks).
- The max weight of the extractor hood is 18kgs.

Preparing the Installation

Ensure that there are no electrical wires, gas pipes or water pipes in the area where holes are to be drilled.

Step 1 (Fig. 7 & Fig. 7. 1)

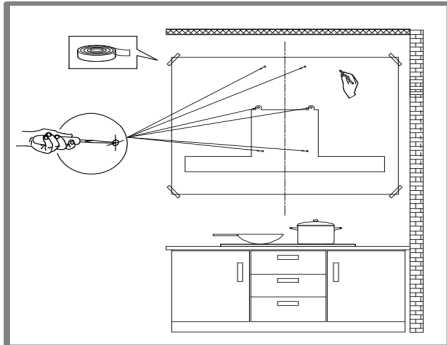


Fig. 7

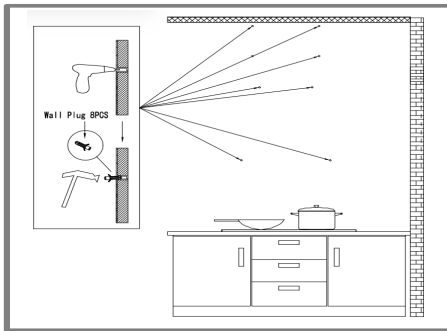


Fig. 7. 1

- Determine where the extractor hood should be positioned and lightly mark where the lower edge of the appliance should be on the wall. Determine where the middle should be based on the hob.
- Place the template against the line drawn on the wall and tape it in place. Mark the area where the screws should be inserted. (Fig. 7)
- Drill 8mm diameter holes to a depth of 40mm for fastening the appliance, remove the template and press in the wall plugs flush with the wall and mount the screws (Do not tighten). (Fig. 7. 1)

Attaching and Aligning the Extractor Hood

Step 2 (Fig. 8, Fig. 8. 1)

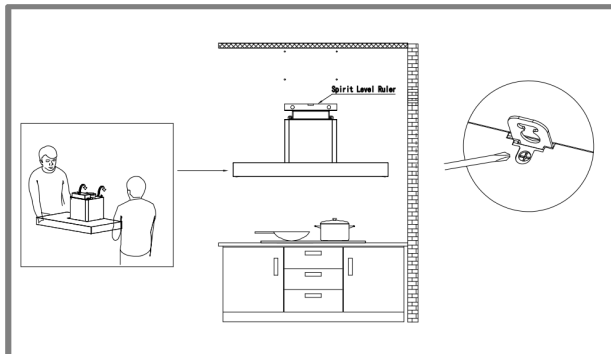


Fig. 8

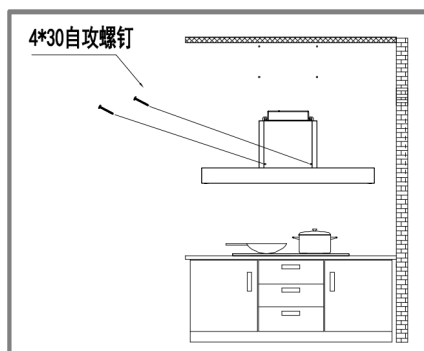


Fig. 8. 1

- Mount the appliance onto the wall and do ensure that it is properly engaged with the mounting screws 3 & 4 (Fig. 8)
- If there is a need to realign the appliance, adjust the screws on the top of the motor housing (Fig. 8)
- Tighten the screws 3, 4, 5, 6 firmly after realignment. (Fig. 8. 1)

Attaching the Flue Ducts

Step 4 (Fig. 9, Fig. 9. 1, Fig. 9. 2)

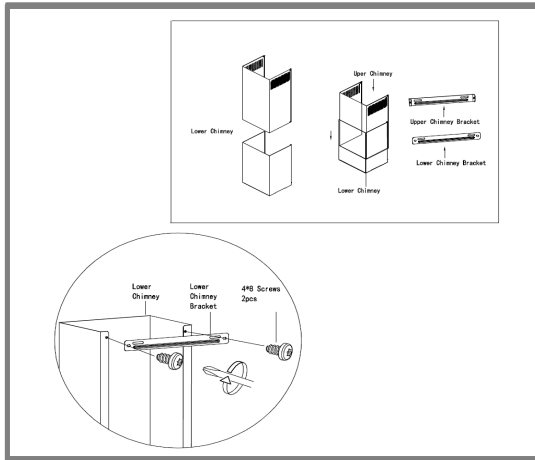


Fig. 9

- Secure the mounting bracket onto the screws firmly 1 & 2 and place the outer flue duct onto the appliances. (Fig. 9).
- Slide the outer flue duct section downwards, attached it to the left and right of the retaining bracket to engage it. (Fig. 9)

Note: To prevent scratches, lay paper over the edges of the lower flue duct to protect the surface.

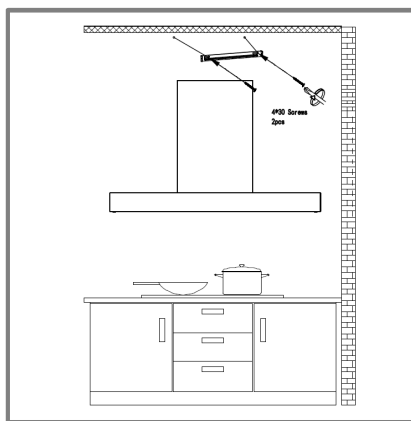


Fig. 9. 1

- Slide the inner flue duct to the required height and mark where the screws should be inserted and drill 8mm diameter holes to a depth of 40mm and secure the mounting bracket onto the screws provided. (Fig. 9.1)

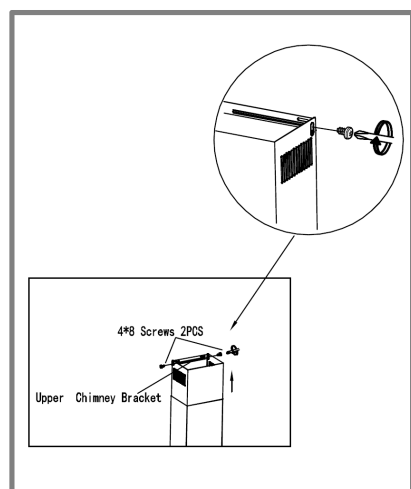


Fig. 9. 2

- Use the provided ST4*8 screws to attach the inner flue duct on the left and right sides of the bracket. (Fig. 9. 2)

Rinnai Customer Care Centres

China | 中国

Guangzhou Rinnai Gas & Electric
Room 2805, No.31 Jianghe Building,
Tianshou Road, Guangzhou, China
广州林内燃具电器有限公司
中国广州天河区天寿路 31 号江河大厦 2805 室
Tel 电话 : (86) 20 3821 7976
Email 邮箱 : grrjdq@gzrinnai.com.cn
URL 网址 : www.gzrinnai.com.cn

Indonesia

PT. Bhakti Idola Tama
Jl. Raya Perjuangan No.21
Komp. Ruko Sastra Graha No.11-13
Jakarta 11530
Tel : (62) 0800 1 889 889 (Customer Care) /
(0815 112 99999 (SMS Center)
Email: customercare_bit@yahoo.com
URL: www.rinnai.co.id

Macau | 澳門

Rinnai Appliance Service Center
Nam Kwong Petroleum & Chemicals Co., Ltd
Avenida do Dr. Rodrigo Rodrigues, Nam Kwong
Building, 17/F, Macau
Phone 電話 : (853)83911712
Fax 傳真 : (853)28330856
URL 网址 : www.rinnai.com.hk/

Malaysia

Rinnai (M) Sdn Bhd
Unit 2-8, Subplace Boulevard, Pusat Komersil
Vestland, No.6, Jalan Juruanalisis U1/35,
Seksyen U1, 40150 Shah Alam, Selangor Malaysia
Fax +:603 5038 8905
Tol Free :1800-88-8180

Myanmar | မြန်မာ

Myanmar Kowa International Co., Ltd
No.199, Ground Floor, 34th Street (Upper Block),
Kyauktada Township, Yangon, Myanmar
အမှတ် (၁၉၉)၊ ၃၄ လမ်း (အပေါ်ဘလောက်)၊
ကျောက်တံတားမြို့နယ်၊ ရန်ကင်းမြို့။
Tel ဖုန်း : (95-1) 245925 / 246304 / (95-9) 7300 7773
Fax ဖက်(စ်) : (95-1) 245925
Email အီးမေးလ် : marketing@myanmarkowa.com

Philippines

3rd floor, M.I.C. Building 72 Bukidnon Street Brgy.
Ramon Magsaysay Bago Bantay, Quezon City.
Tel no.: (02) 2512547, (02) 2512438

Singapore

Rinnai Holdings (Pacific) Pte Ltd
61 Ubi Road 1 #02-20 & 21
Oxley Bizhub Singapore 408727
Tel : (65) 6748 9478
Fax : (65) 6745 9240
Email : service@rinnai.sg
URL : www.rinnai.sg

Thailand | ประเทศไทย

Rinnai (Thailand) Co., Ltd. / Lucky Flame Co., Ltd.
61/1 Soi Kingkaew 9, Kingkaew Rd.
Racha Thewa, Bangphli, Samutprakarn 10540, Thailand
บริษัท รินไน (ประเทศไทย) จำกัด
เลขที่ 61/1 ซอยกิ่งแก้ว 9 ถนนกิ่งแก้ว ตำบลราชาเทวะ
อำเภอบางพลี จังหวัดสมุทรปราการ
ประเทศไทย 10540
Tel : (66) 2 3124330-40
Email : lucky02@luckyflame.co.th
URL : www.luckyflame.co.th

Vietnam | Việt Nam

Rong Viet Commerce Company Limited
120 3/2 Street, Ward 12, District 10,
Ho Chi Minh City, Vietnam
Công Ty TNHH Thương Mại Rồng Việt
120 Đường 3/2, Phường 12, Quận 10,
TP. Hồ Chí Minh, Việt Nam
Tel : (84) 8 3862 3409
Fax : (84) 8 5404 1964
Email : info@rongviet-rinnai.com
URL : www.rongviet-rinnai.com