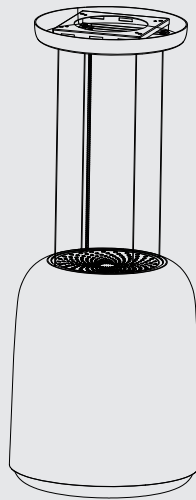


MODEL:
RH-D3154-BKR
RH-D3154-ORR
RH-D3154-BLR



Pendant Hood
Operation / Installation Manual

Rinnai

CONTENTS

Intended Use	Page 3
Safety Information	Page 4
Environmental Protection	Page 6
Operating Mode	Page 6
Plasma Filter	Page 6
Operating Instructions	Page 7
Care and Maintenance	Page 9
Trouble Shooting	Page 12
Specification and Component List	Page 13
Installation Instructions	Page 14



IMPORTANT

To register your product warranty, please paste the serial numbers stickers enclosed with the packaging on your warranty card.

Please contact your local Rinnai After Sales Service Center should you require further assistance.

Intended Use

Please read this user manual thoroughly before attempting to use this appliance for the first time. This manual contains important information on safe installation, use and care of the appliance. Keep these instructions for reference and pass them on to future user.

This appliance can only be used safely if it is correctly installed according to the safety instructions. The installer is responsible for ensuring that the appliance works correctly at its installation location.

This appliance is intended for domestic use and household environment only. The appliance is designed to eliminate unpleasant odours from the kitchen. Do not use the hood for other uses than its specific purpose. Do not leave the appliance unattended during operation.

This appliance may be used by children over the age of 8 years old and by persons with reduced physical, sensory or mental capacity or by persons with a lack of experience or knowledge if they are supervised by someone who is responsible for their safety or have been instructed in how to use the appliance safely and have understood the risks involved in not using it properly.

Children must not play with the appliance. Cleaning and user maintenance must not be performed by children unless they are over 15 years of age and are supervised. Keep children below the age of 8 years old at a safe distance from the appliance and power cable.

Check the appliance for damage after unpacking it. Do not connect the appliance if it has been damaged during transport.



Important

This extractor hood is intended for use in recirculating air mode only.

The manufacturer is not liable for any damage which is caused by improper use or incorrect operation.

Safety Information



Warning – Suffocation

- Packaging material is dangerous to children. Never allow children to play with packaging material.



Warning – Risk of Fire

- Do not operate the extractor without a grease filter. It is important to clean and/or replace the grease filters at appropriate intervals. Grease deposits build-up increases the risk of fire.
- Do not flambé or grill with an open flame directly under the extractor hood. Flames could be drawn up into the hood by the suction and the grease filters may catch fire. Do not install the extractor hood near a heat producing appliance for solid fuel (e.g. wood or coal) unless a closed, non-removable cover is available. There must be no flying sparks.
- Monitor cooking continuously as overheated oil increases the risk of self-ignition. Never use water to put out burning oil or grease. Switch off the cooker. Extinguish flames carefully using a lid, fire blanket or something similar.
- Never leave high naked flames under the extractor hood when it is in operation. An extractor hood installed above the cooker may become damaged or catch fire. Always cover lit burners with cookware.
- Ensure that the power supply cord is free from any heat source or sharp objects.
- Multiple plugs and extension cables must not be used. Overloading is dangerous and may cause a fire.
- Operating several gas burners at the same time gives rise to a great deal of heat. An extractor hood installed above the cooker may become damaged or catch fire.



Warning – Risk of Burns

- Accessible parts become very hot when in operation. Never touch hot parts. Keep children at a safe distance.
- Appliance becomes hot during operation. Allow the appliance to cool down before cleaning.



Warning – Risk of Injury

- Incorrect repairs are dangerous. Repairs should be attempted by our qualified technical personnel's only. If the appliance is defective, unplug the appliance from the mains or switch off the circuit breaker in the fuse box. Contact your local Rinnai After Sales Service Center for assistance.

- It is dangerous to modify any part of this appliance. Tampering with electrical connections or mechanical parts can cause operation faults and may put the user at risk.
- Do not use any high pressure cleaners or steam cleaners, which can result in an electric shock.
- Penetrating moisture may result in an electric shock. Clean the appliance using a damp cloth only. Before cleaning, pull out the mains plug or switch off the circuit breaker in the fuse box.
- Components inside the appliance may have sharp edges. Wear protective gloves.
- Lighting emitted by the LED lights are very dazzling and can damage the eyes. Do not look directly into lighted LED lights for longer than 100 seconds.



Warning – Risk of Electric Shock

- A defective appliance may cause electric shock. Never switch on a defective appliance. Unplug the appliance from the mains or switch off the circuit breaker in the fuse box. Contact your local Rinnai After Sales Service Center for assistance.
- Incorrect repairs are dangerous. Any repairs and replacements of damaged power cable or components should be attempted by our qualified technical personnel's only. Contact your local Rinnai After Sales Service Center for assistance.
- Penetrating moisture may result in an electric shock. Clean the appliance using a damp cloth only. Before cleaning pull out the mains plug or switch off the circuit breaker in the fuse box.



Warning – Cause of Damage

- Always switch on the appliance while cooking to avoid condensation. Condensation can produce corrosion damage.
- Always replace faulty lights to prevent the remaining lights from overloading.
- Do not clean the controls with a wet cloth as this may risk damage due to ingress of humidity into the electronic circuitry.
- Clean all stainless steel surfaces in the direction of the grain only as incorrect cleaning may damage the stainless steel surface. Do not use any stainless steel cleaners for controls.
- Never use strong and abrasive cleaning agents as this may cause damage to the stainless steel surface
- There is a risk of surface damage if you do not peel off the protective film. Remove the protective film from all parts of the appliance before using the appliance for the first time.

Environmental Protection

Energy Saving

- During cooking ensure that there is a sufficient supply of air to enable the extractor hood to work efficiently and with a low level of operating noise.
- Adjust the fan speed to the amount of cooking vapor produced during cooking. Only use intensive / booster mode when required. Operating the fan speed at lower levels consumes less energy.
- Switch off the extractor hood if you no longer require it.
- Clean and replace the grease filters at regular intervals in order to increase the effectiveness of the extractor hood and to prevent the risk of fire.

Disposal

- This appliance and its packaging are environmentally friendly and recyclable. Please help us to care for the environment by disposing the packaging in a proper manner and recycling any old appliances.
- Before disposing an old appliance, disconnect it from the power supply and cut the power supply cord to prevent hazards.

Operating Mode

Recirculating Air Mode



- The extractor hood fan draws in the cooking vapours and odors which are then clean by the grease filter and plasma filter. The clean air is then conveyed back to the kitchen via a vent opening in the hood.

Note: This extractor hood is intended for use in recirculating air mode only.

Plasma Filter

- This extractor hood is equipped with a plasma filter.
- Operation, assembly, care and maintenance can be found in the instruction manual in the accessories bag that comes together with this extractor hood.

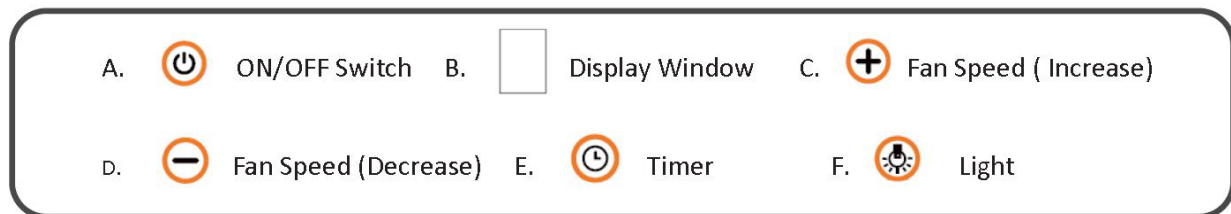
Operating Instructions

Operating the Extractor Hood

Touch the sensor buttons gently to operate this appliance.

To achieve better air extraction, it is advisable to switch on the extractor hood a few minutes before starting to cook and leave it on for approximately 15 minutes after cooking (or at least all cooking smell is completely removed).

Control Panel



STANDBY MODE


When the extractor hood is powered up for the first time or if it is powered up again after a power rage, the ON/OFF switch orange ring symbol will light up with an audio signal.

POWER ON/OFF

Press the ON/OFF switch symbol to power up the extractor hood. When the extractor hood is switch ON, backlights on the control panel will light up including the numerical 0 on the display window. To switch OFF the Extractor Hood, press the ON/OFF switch symbol.

Note: Note: If the sensor detects that there are no movements on the control panel for approximately 40 seconds it will automatically switch back to standby mode. To power up the extractor again press the ON/OFF switch symbol again.

FAN SETTING

 To select fan speed, press on the increase and decrease fan setting symbol to select the require fan speed. (1 - 2 - 3 - P - 0 - 1 - 2 - 3 - P)

Boost Function

To set Boost Function, press on the increase symbol until you see the alphabet P on the display window. After approximately 10 minutes it will automatically switches back to fan setting 3.

If there is a need to disable boost function before the preset time has expire, press on either the fan setting increase or decrease symbol.

Note: Delay timer will not work when boost function is in operation.



SETTING the TIMER

Delay Timer

To set up the delay timer, press on the timer switch symbol, the timer switch's orange ring symbol will light up and together with the numerical number on the display window will begin flashing. At this time set your prefer time delay by pressing on the timer switch symbol once (1 - 2 - 3 - 4).

After the required time is set, in approximately 3 seconds later the numerical number on the display window will switch back to the earlier fan setting.

To disable the delay timer before the preset time has expire, press the ON/OFF switch symbol.

Note: Pressing once on the timer switch symbol indicates a numerical 1 on the display window. The timer is preset from a minimum of 5 minutes to a maximum of 20 minutes where 1 is equivalent to 5 minutes, 2 is 10 minutes, 3 is 15 minutes and 4 is 20 minutes.



CLEAN and FRESH FUNCTION

There are 2 methods to set up the CLEAN & FRESH function.

To set up clean and fresh function when you are done cooking, press on the timer switch symbol and hold for approximately 3 seconds. The timer switch's orange ring symbol will light up. Press the ON/OFF switch symbol to start the clean and fresh function.

To disable the clean and fresh function before the expire time, press and hold the timer switch symbol to turn OFF this setting, the extractor hood will automatically go back to STANDBY MODE

If there is a need to clean the air in the room when no cooking is observe. In standby mode, switch ON the extractor hood by pressing the ON/OFF switch symbol than proceed to press the timer switch symbol for approximately 3 seconds. The timer switch orange ring symbol will light up. Press the ON/OFF switch symbol to start the operation immediately.

To disable the clean and fresh function before the expire time, press and hold the timer switch symbol to turn OFF this setting, the extractor hood will automatically go back to STANDBY MODE.

Note: Clean and fresh function is preset to work for 6 minutes each hour for 24 hours at fan setting speed 1.



LIGHTING

Press the light symbol switch to turn the lights to the ON/OFF position.

Note: The lighting can be switch ON and OFF independently of the fan.

Care and Maintenance



Warning: Before carrying out any cleaning or maintenance activities, ensure that the appliance is disconnected from the main power supply.

Components inside the appliance may have sharp edges. Wear protective gloves.

Cleaning Agents

To ensure that the different surfaces are not damaged by using the wrong cleaning product, follow the instructions in the table. Do not use any of the following:

- Harsh or abrasive cleaning agents, e.g. scouring powder or liquid scouring cleaner
- Cleaning products with a high alcohol content
- Hard scouring pads or cleaning sponges
- Pressure washers or steam cleaners
- Cleaning products that dissolve limescale
- Aggressive all-purpose cleaning products

Note: Use a new soft sponge or cloth. Do wash thoroughly before each use. Never use a wire sponge or brush as it may leave scratches or other marks and follow all instructions and warnings included with the cleaning products.

Surface	Instruction
Stainless Steel	Clean with warm soapy water using a soft damp sponge or damp cloth
	Wipe off with a dry lint free cloth to avoid smearing or staining on the hood
	Clean in the direction of the grains only
Painted Surface	Clean with warm soapy water using a soft damp sponge or damp cloth
	Wipe off with a dry lint free cloth
	Do not use any stainless steel cleaner
Aluminium and Plastic	Clean with warm soapy water using a soft damp sponge or soft damp cloth
	Wipe off with a dry lint free cloth
Glass	Clean with a solution of warm water and a little washing up liquid using a soft damp sponge or damp cloth
	Wipe off with a dry lint free cloth
	Do not use a scraper
Controls	Clean with warm soapy water using a soft damp sponge or soft damp cloth
	Wipe off with a dry lint free cloth
	Never clean the controls with a wet cloth as there is a risk of damage to the electronics

Metal Grease Filter

Magnetic Holder for Metal Grease Filter

The metal grease filter is secure by magnetic holders to the Extractor Hood frame. In addition a metal hook is fitted between the Extractor Hood frame and the metal grease filter to prevent the metal grease filter from dropping as a safety measure.

Removing the Metal Grease Filter (Fig. 1)

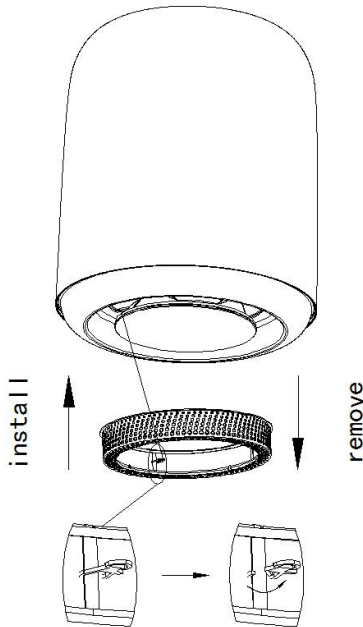


Fig. 1

Gently pull down the metal grease filter using both hands, take hold of the metal grease filter from underneath using one hand and at the same time remove the metal hook from the metal grease filter.

Note: Grease deposits may accumulate in the bottom of the grease filter. Hold the grease filter flat to prevent any grease or fats from dripping out of the filter.

Cleaning the Metal Grease Filters

- Do not use any aggressive, acidic or alkaline cleaning products.
 - The metal grease filters must be removed and cleaned every 4 weeks depending on the frequency of usage or when the orange indicator light blinks on the control panel display window.
 - When cleaning the metal grease filters, also clean the grease filter holder and all accessible parts in the appliance using a damp cloth.
 - The metal grease filters can be cleaned in the dishwasher or by hand.
- If by hand washing: Soak the filters in warm detergent solution (approx. 40°C) to simplify the removal of grease. Brush the grease filters, rinse thoroughly and leave it to dry before refitting.
- If by dishwasher: Use normal domestic dishwashing detergent, select an appropriate wash program (no more than 70°C), do not clean heavily soiled grease filters together with any cookware. Place the grease filters in the dishwasher leaving plenty of space around them. Leave it to dry before refitting.

Note: A slight discolouration of the metal grease filter may occur. This discolouration has no effect on the performance of the metal grease filters.

These instructions apply to several appliance variants. It is possible that some individual features that are described do not apply to your appliance.

Installing the Metal grease Filter

Hold the metal grease filter using one hand and at the same time insert back the metal hook into the metal grease filter using the other hand.

Insert back the metal grease filter using both hands onto the metal grease filter holder, make sure the metal grease filter is positioned correctly

If the grease filter has not been inserted correctly, reinsert it again.

Note: The metal grease filter may fall during removal from the extractor hood and this will result in damages to both the metal grease filter and the cooker hob below it. Please ensure that you hold the metal grease filter securely at all times when you are removing it from the extractor hood. You are advised that the safety cable is not meant to support the metal grease filter after its removal from the extractor hood.

Cleaning the Appliance Body

- Clean the extractor hood using warm detergent solution and a soft damp cloth. After cleaning, dry it using a lint free cloth.
- Avoid using corrosive or abrasive products that could damage the surface.
- Do not clean the controls with a wet cloth as this may risk damage due to ingress of humidity into the electronic circuitry.

LED Lights

Defective LED lights can only be replaced by the manufacturer, their customer service or their authorized after sales service agents only.

Trouble Shooting



Warning: Incorrect repairs are dangerous. Repairs should be attempted by our qualified technical personnel's only. If the appliance is defective, unplug the appliance from the mains or switch off the circuit breaker in the fuse box. Contact your local Rinnai After Sales Service Center for assistance.

Problem	Possible Cause	Solution
The Extractor Hood Does Not Work	No electricity supply	Check power plug is connected properly and main power switch is turned on
	Faulty Fuse	Check fuse box of the extractor hood to make sure fuse is not blown
Whirring Sound	Foreign object may be in contact with fan blade	Please contact your local Rinnai After Sales Center
Lights are Not Working	The LED lights are defective	Please contact your local Rinnai After Sales Center
The Plasma Filter Does Not Work	No electricity supply	Check power plug is connected properly and main power switch is turned on
	Faulty Fuse	Check the fuse box of the plasma filter to ensure fuse is not blown
	Power Trip	Check if other electrical appliance are working
The Indicator Lamp on the Plasma Filter Did Not Light Up	Air Sensor Switch might be faulty	Please contact your local Rinnai After Sales Center
	PCB Board Failure	
Audio Signal is Not Functioning	PCB Board Failure	Please contact your local Rinnai After Sales Center
The control panel light does not illuminate	The control unit is faulty	Please contact your local Rinnai After Sales Center

If problem persists after the above checks, please contact your local Rinnai After Sales Service Center for assistance.

Please quote the model number of your appliance as shown on the rating plate. (Fig. 2)

For service calls under warranty, please note that it is necessary to produce your proof of purchase and valid warranty card.

Please be aware that a visit by an after-sales engineer might incur charges if a problem turns out to be the result of user's error even during the warranty period.

Note: Rating plate is for illustration purpose only and its specifications may vary across other models

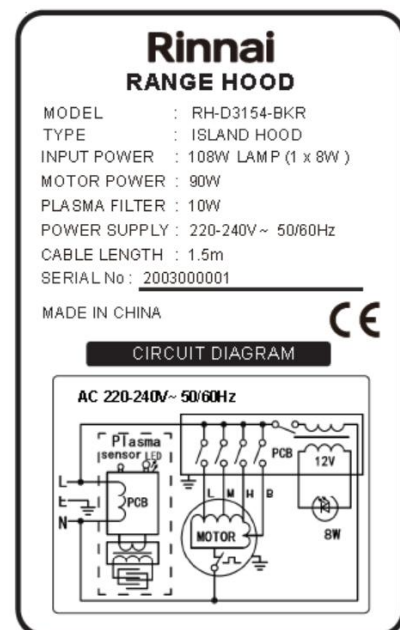
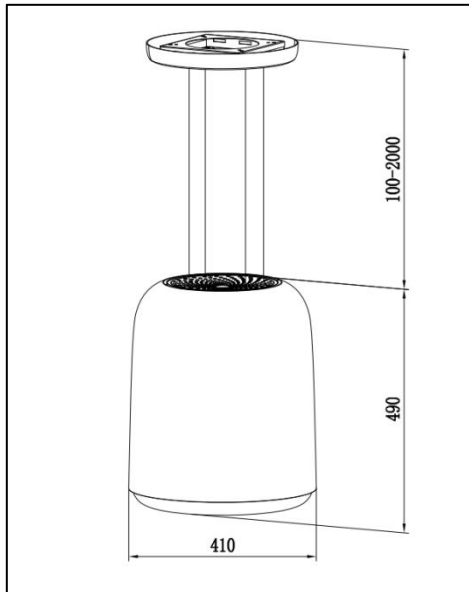


Fig. 2

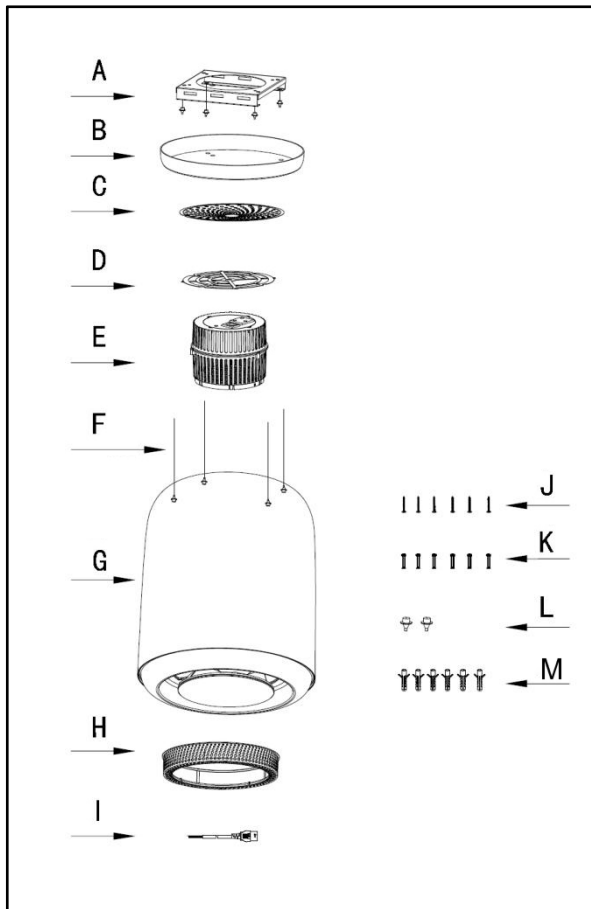
Specification



Model:	RH-D3154-BKR	RH-D3154-ORR	RH-D3154-BLR
Power Rating:	108W		
Power of Motor:	90W		
Power of Plasma Filter:	10W		
Power of Lamps:	8W		
Voltage:	220-240V~		
Power Frequency:	50-60Hz		
Power of Lamps:	8W		
Approximate Length of the Main Power Cable:	1.5m		
Approximate Length of the Stainless Steel Cable:	2M		
Appliance Dimensions:	410 * 410 * 490 +100-2000mm		
*The manufacturer reserves the right to effect any technological improvement or modification without prior notice.			

Fig. 3

Components List



Ref	Qty	Product Parts
A	1	Frame
B	1	Frame cover
C	1	Hood top cover
D	1	Grid
E	1	Plasma filter
F	4	Stainless Steel Cable
G	1	Hood Body
H	1	Metal Grease Filter
I	1	Power Cable
Ref	Qty	Installation Accessories
J	6	Screw ST6.0×40 (Wooden ceiling)
K	6	Screw M6×60 (Cement ceiling)
L	2	Cable tensioners
M	6	Wall plug
Ref	Qty	Documentation
	2	Installation/Plasma filter Manual
	2	1: 1 Installation Diagram
	1	Warranty Sticker

Fig. 4

Installation Instructions

Safety and General Information

- Read these instructions carefully. Check the appliance for damage after unpacking it.
- The appliance can only be used safely if it is correctly installed according to the safety instructions. The installer is responsible for ensuring that the appliance works correctly at its installation location.
- If the supply cord is damaged, it must be replaced by the manufacturer, its service agent or qualified technical personnel in order to avoid a hazard.
- The surfaces of the appliance are easily damaged. Avoid damaging them during installation.
- This extractor hood is equipped with standard fixing material. The person who is mounting the hood should make sure that the fixing elements are right and suitable for the walls and ceilings.
- The extractor hood can be installed over any gas and electric cooktop. Minimum installation height from the bench top to the bottom of the hood is 750mm (gas range) and 650mm (electric range). Fig. 5
- Always mount the extractor hood over the center of the hob.
- Ensure that the appliance is installed in a location with good permanent ventilation.
- When making electrical connections, check that the mains voltage and frequency corresponds to the technical information shown on the rating plate.
- Electrical connection must be made in accordance to local standards only. Check that the voltage in your area is correct before plugging in.
- Use an electrical connector with earth that is correct for your location. The electrical connection of this appliance must be connected to earth (where applicable):
 - Green & Yellow = EARTH
 - Blue = NEUTRAL
 - Brown = LIVE

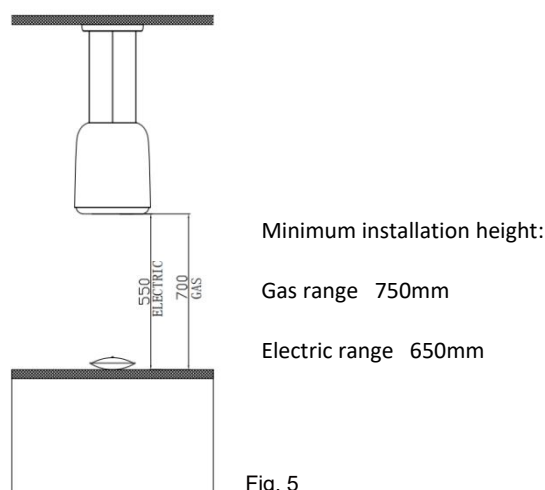


Fig. 5



Warning

The hood is equipped with standard fixing material. The person who is mounting the hood should make sure that the fixing elements are right and suitable for the ceilings he finds. Components inside the appliance may have sharp edges. Wear protective gloves.

- The extractor hood may fall down if it has not been properly fastened in place. All fastening components must be fixed firmly and securely.
- The extractor hood is heavy. To move the appliance 2 people are required. Use only suitable tools and equipment.
- Changes to the electrical or mechanical assembly are dangerous and may lead to malfunctions. Do not make any changes to the electrical or mechanical assembly.
- Components inside the appliance may have sharp edges. These may damage the connecting cable. Do not kink or pinch the connecting cable during installation.
- It must always be possible to disconnect the appliance from the electricity supply.
- The appliance must only be connected to a protective contact socket that has been correctly installed.
- The mains plug of the mains power cable must be easily accessible after installation of the appliance. If this is not possible, an all-pole isolating switch must be integrated into the permanent electrical installation
- Only qualified personnels may connect this appliance without any plugs..

Note: The manufacturer will not be held liable for any damages resulting from improper installation nor failure to adopt proper safety measures during installation and operational use of the appliance.

Preparing the Ceiling

- The ceiling must be flat, horizontal and have adequate load-bearing capacity.
- The depth of the bore holes must be the same length as the screws. The wall plugs must have a secure grip.
- The enclosed screws and wall plugs are suitable for solid brickwork. Suitable fasteners must be used for other structures (e.g. plasterboard, porous concrete, perforated bricks).
- The max weight of the extractor hood is 10kgs.

Preparing the Installation

Ensure that there are no electrical wires, gas pipes or water pipes in the area where holes are to be drilled.

1. Cover the hob to protect it from damage.

2. Mark where the centre of the extractor hood should be on the ceiling above the centre of the hob.
3. Using the template provided, mark the locations where the bolts should be inserted on the ceiling.
4. Drill four 8 mm diameter holes to a depth of 60 mm for fastening the appliance and press in the wall plugs flush with the wall.

For Installation, please refer to below steps (Fig. 6) :

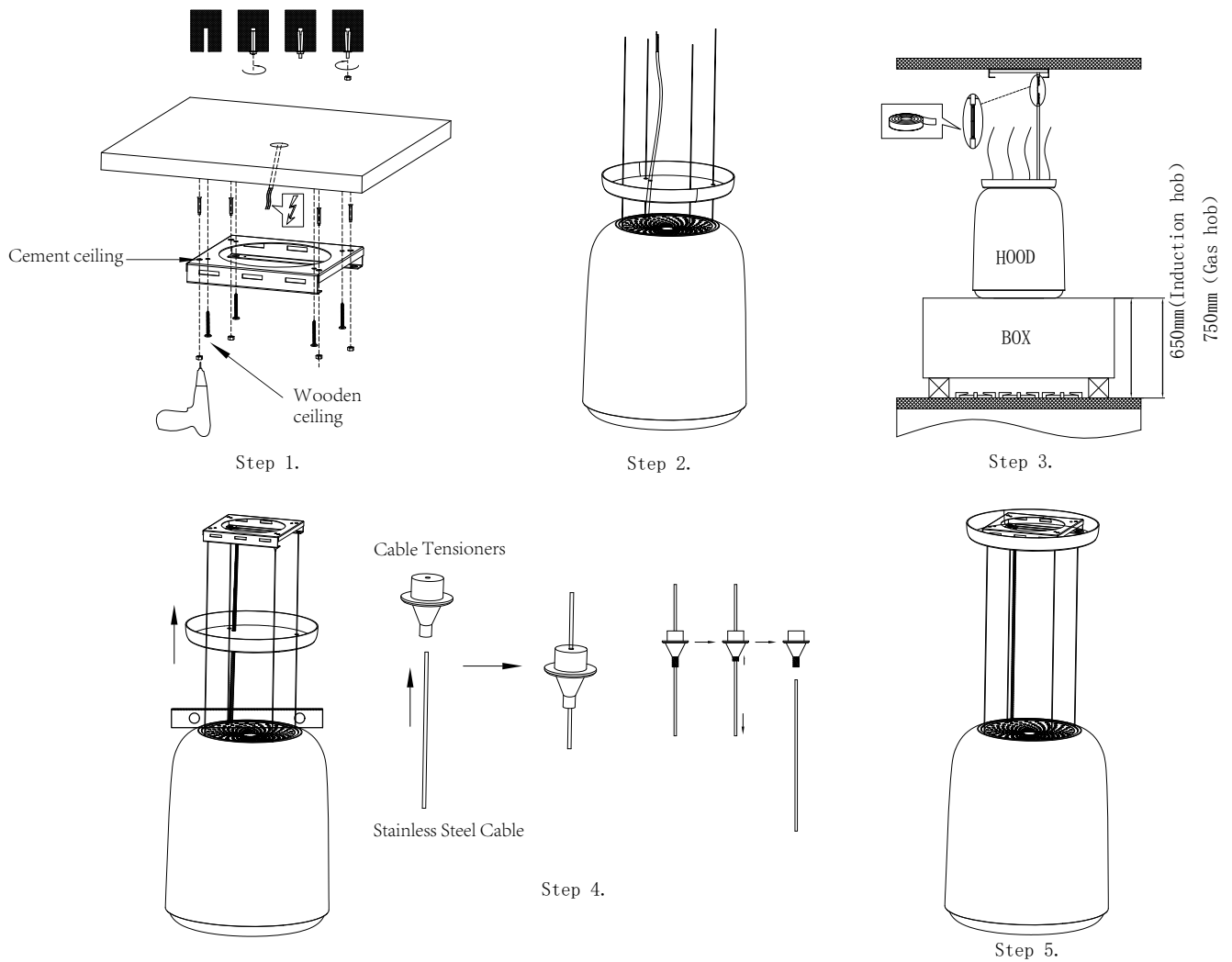


Fig. 6

Rinnai Customer Care Centres

China | 中国

Guangzhou Rinnai Gas & Electric
Room 2805, No.31 Jianghe Building,
Tianshou Road, Guangzhou, China
广州林内燃具电器有限公司
中国广州天河区天寿路 31 号江河大厦 2805 室
Tel 电话 : (86) 20 3821 7976
Email 邮箱 : grrjdg@gzrinnai.com.cn
URL 网址 : www.gzrinnai.com.cn

Indonesia

PT. Bhakti Idola Tama
Jl. Raya Perjuangan No.21
Komp. Ruko Sastra Graha No.11-13
Jakarta 11530
Tel : (62) 0800 1 889 889 (Customer Care) /
(0815 112 99999 (SMS Center)
Email: customercare_bit@yahoo.com
URL: www.rinnai.co.id

Macau | 澳門

Rinnai Appliance Service Center
Nam Kwong Petroleum & Chemicals Co., Ltd
Avenida do Dr. Rodrigo Rodrigues, Nam Kwong
Building, 17/F, Macau
Phone 電話 : (853)83911712
Fax 傳真 : (853)28330856
URL 网址 : www.rinnai.com.hk/mo

Malaysia

Rinnai (M) Sdn Bhd
D2-3-G & D2-3-1, Block D2, Pusat Perdagangan Dana 1,
Jalan PJU 1A/46, 47301 Petaling Jaya,
Selangor Darul Ehsan, Malaysia
Fax : (60) 3 7832 0036
Toll free: 1800-88-8180
Email: customercare@rinnai.com.my
URL : www.rinnai.com.my

Myanmar | မြန်မာ

Myanmar Kowa International Co., Ltd
No.199, Ground Floor, 34th Street (Upper Block),
Kyauktada Township, Yangon, Myanmar
အမှတ် (၁၉၉)၊ ၃၄ လမ်း (အပေါ်ဘလောက်)၊
ကျောက်တံတားမြို့နယ်၊ ရန်ကင်းမြို့။
Tel ဖုန်း : (95-1) 245925 / 246304 / (95-9) 7300 7773
Fax ဖုန်း(စ်) : (95-1) 245925
Email အီးမေးလ် : marketing@myanmarkowa.com

Philippines

Mitsui Industria Corporation
10 Buenaventura St., Cor MacArthur
Highway, Dalandan Valenzuela City,
Philippines
Tel : (63) 2 292 9177 / 292 9179
Fax : (63) 2 292 8187

Singapore

Rinnai Holdings (Pacific) Pte Ltd
61 Ubi Road 1 #02-20 & 21
Oxley Bizhub Singapore 408727
Tel : (65) 6748 9478
Fax : (65) 6745 9240
Email : service@rinnai.sg
URL : www.rinnai.sg

Thailand | ประเทศไทย

Rinnai (Thailand) Co., Ltd. / Lucky Flame Co., Ltd.
61/1 Soi Kingkaew 9, Kingkaew Rd.
Racha Thewa, Bangphli, Samutprakarn 10540, Thailand
บริษัท รินไน (ประเทศไทย) จำกัด
เลขที่ 61/1 ซอยกิ่งแก้ว 9 ถนนกิ่งแก้ว ตำบลราชาเทวะ
อำเภอบางพลี จังหวัดสมุทรปราการ
ประเทศไทย 10540
Tel : (66) 2 3124330-40
Email : lucky02@luckyflame.co.th
URL : www.luckyflame.co.th

Vietnam | Việt Nam

Rong Viet Commerce Company Limited
120 3/2 Street, Ward 12, District 10,
Ho Chi Minh City, Vietnam
Công Ty TNHH Thương Mại Rồng Việt
120 Đường 3/2, Phường 12, Quận 10,
TP. Hồ Chí Minh, Việt Nam
Tel : (84) 8 3862 3409
Fax : (84) 8 5404 1964
Email : info@rongviet-rinnai.com
URL : www.rongviet-rinnai.com



Remote Control Operation Manual

Rinnai

CONTENTS

Warnings and Safety Information	Page 3
Overview	Page 4
Operating Instructions	Page 5
Care and Maintenance	Page 6

WARNINGS AND SAFETY INFORMATION



Important Information on Handling of the Remote Control Battery

- Do not attempt to short circuit or recharge the battery
- Do not throw away any old batteries with your general household waste.
- Please dispose them in a designated battery collection and recycled system.
- Used batteries must be kept away from children while awaiting their disposal and must be disposed of in a safe manner.
- Do not place the remote control near heat source



Warning – Keep Batteries Out of Reach of Children

Examine any devices and make sure battery compartments are secure correctly and all mechanical fasteners are tightened. Do not use if the compartments are not secure. Any used batteries must be kept away from children while awaiting disposal and must be disposed of in a safe manner. Any lithium or non-lithium batteries can cause serious injuries if swallowed or placed inside any parts of the body. Do seek medical advice immediately if you suspect a child has swallowed a battery or placed a battery in any part of their body.

Please read the instructions for your cooker hood thoroughly before attempting to use the appliance for the first time. The manual contains important information on safety, use and care of the appliance. Keep these instructions for reference and pass them on to future user.

- Do not allow children to play with the remote control.

The manufacturer is not liable for any damage which is caused by improper use or incorrect operation.

OVERVIEW



 Power ON/OFF Switch Symbol

 Increase /Decrease the Working Speed of the Motor

 ON/OFF Lighting Control

OPERATING INSTRUCTIONS

Using the Remote Control

The remote control can only be used with any Rinnai hood which has the remote function.

The main functions can be selected via the cooker hood or by remote control. Please see the descriptions of functions in the cooker hood operating instruction manual.

The maximum operating range of the remote control is approximately 5m. However, this may be less depending on the physical conditions present in the room. (e.g., blind spots, walls, furniture).

When using the remote for the first time, remove the battery film.

When the cooker hood is powered up for the first time or if it is powered up again after a power outage, the ON/OFF switch orange ring symbol will light up with an audio signal. This signals that the cooker hood is in standby mode.

Using the Remote Control to Power ON/OFF the Cooker Hood

- Press the ON/OFF switch symbol on the remote control to power up the extractor hood. When the extractor hood is switched ON, backlights on the control panel will light up including the numerical 0 on the display window. To switch OFF the Extractor Hood using the remote control, press the ON/OFF switch symbol.

Note: Note: If the sensor detects that there are no operations on the control panel for approximately 40 seconds it will automatically switch back to standby mode. To power up the extractor again press the ON/OFF switch symbol again.

Fan Setting

- To select fan speed, press on the fan setting symbol to select the required fan speed (1 - 2 - 3 - P - 0 - 1 - 2 - 3 - P).
- To turn OFF the fan setting, press on the fan setting symbol to 0.

LIGHTING

- Press the light symbol switch to turn the lights to the ON/OFF position.

Note: The lighting can be switched to ON/OFF position independently of the fan.



Important Information

Programming of the operating hours of the clock, timers, cleaning functions can only be done via the cooker hood controls.

Care and Maintenance

Cleaning the Remote Control

Only clean the surface with a damp cloth. Do not use too much water to prevent moisture penetrating into the casing

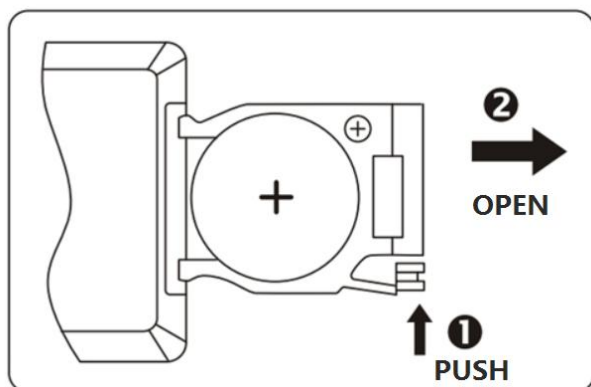
Changing the Battery

Use only the type of battery listed. Do not use rechargeable batteries

The remote control requires one 3V CR2025 battery

The battery must be changed if the cooker hood functions can no longer be selected using the remote control. Cooker hood functions can still be selected using the controls on the cooker hood.

PICTOGRAM ON HOW TO CHANGE THE BATTERY:



1. On the bottom of the bottom edge of the remote control, push the tab lock on the left and hold it.
2. While holding the tab to the left, pull the door out of the remote control
3. Remove the old battery and replace it with a new 3V CR 2025 battery
Note: When place in the battery door, the “+” symbol should be visible to you
4. Push the door back into the remote

Rinnai Customer Care Centres

China | 中国

Guangzhou Rinnai Gas & Electric
Room 2805, No.31 Jianghe Building,
Rinnai Road, Guangzhou, China
广州林内燃气具电器有限公司
中国广州天河区天寿路 31 号江河大厦 2805 室
Tel 电话 : (86) 20 3821 7976
Email 邮箱 : grrjdq@gzrinnai.com.cn
URL 网址 : www.gzrinnai.com.cn

Indonesia

PT. Bhakti Idola Tama
Jl. Raya Perjuangan No.21
Komp. Ruko Sastra Graha No.11-13
Jakarta 11530
Tel : (62) 0800 1 889 889 (Customer Care) /
(0815 112 99999 (SMS Center)
Email: customercare_bit@yahoo.com
URL: www.rinnai.co.id

Macau | 澳門

Rinnai Appliance Service Center
Nam Kwong Petroleum & Chemicals Co., Ltd
Avenida do Dr. Rodrigo Rodrigues, Nam Kwong
Building, 17/F, Macau
Phone 電話 : (853)83911712
Fax 傳真 : (853)28330856
URL 网址 : www.rinnai.com.hk/mo

Malaysia

Rinnai (M) Sdn Bhd
D2-3-G & D2-3-1, Block D2, Pusat Perdagangan Dana 1,
Jalan PJU 1A/46, 47301 Petaling Jaya,
Selangor Darul Ehsan, Malaysia
Tel : (60) 3 7832 0037 / 7832 0038 / 7832 0039
Fax : (60) 3 7832 0036
Toll free: 1800-88-8180
Email: customercare@rinnai.com.my
URL : www.rinnai.com.my

Myanmar | မြန်မာ

Myanmar Kowa International Co., Ltd
No.199, Ground Floor, 34th Street (Upper Block),
Kyauktada Township, Yangon, Myanmar
အမှတ် (၁၉၉) ဥက္ကဋ္ဌ လမ်း (အပေါ်ဘလောက်)
ကျောက်တံတားမြို့နယ်၊ ရန်ကင်းမြို့။
Tel ဖုန်း : (95-1) 245925 / 246304 / (95-9) 7300 7773
Fax ဖုန်း(၆) : (95-1) 245925
Email အီးမေးလ် : marketing@myanmarkowa.com

Philippines

Mitsui Industrial Corporation
10 Buenaventura St., Cor MacArthur
Highway, Dalandan Valenzuela City,
Philippines
Tel : (63) 2 292 9177 / 292 9179
Fax : (63) 2 292 8187

Singapore

Rinnai Holdings (Pacific) Pte Ltd
61 Ubi Road 1 #02-20 & 21
Oxley Bizhub Singapore 408727
Tel : (65) 6748 9478
Fax : (65) 6745 9240
Email : service@rinnai.sg
URL : www.rinnai.sg

Thailand | ประเทศไทย

Rinnai (Thailand) Co., Ltd. / Lucky Flame Co., Ltd.
61/1 Soi Kingkaew 9, Kingkaew Rd.
Racha Thewa, Bangphli, Samutprakarn 10540, Thailand
บริษัท รินไน (ประเทศไทย) จำกัด
เลขที่ 61/1 ซอยกิ่งแก้ว 9 ถนนกิ่งแก้ว ตำบลราชาเทวะ
อำเภอเมืองทลิ่ง จังหวัดสมุทรปราการ
ประเทศไทย 10540
Tel : (66) 2 3124330-40
Email : lucky02@luckyflame.co.th
URL : www.luckyflame.co.th

Vietnam | Việt Nam

Rong Viet Commerce Company Limited
120 3/2 Street, Ward 12, District 10,
Ho Chi Minh City, Vietnam
Công Ty TNHH Thương Mại Rõng Việt
120 Đường 3/2, Phường 12, Quận 10,
TP. Hồ Chí Minh, Việt Nam
Tel : (84) 8 3862 3409
Fax : (84) 8 5404 1964
Email : info@rongviet-rinnai.com
URL : www.rongviet-rinnai.com