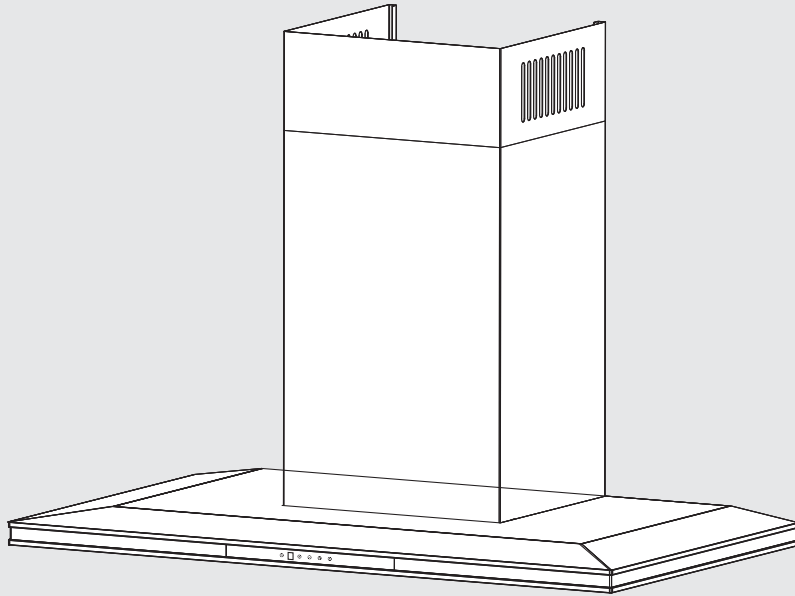


**MODEL:  
RH - C1059 - PBR**



**Extractor Hood  
Instruction / Installation Manual**

**Rinnai**

# CONTENTS

<b>Intended Use</b>	<b>Page 1</b>
<b>Safety Information</b>	<b>Page 2</b>
<b>Environmental Protection</b>	<b>Page 4</b>
<b>Operating Mode</b>	<b>Page 4</b>
<b>Plasma Filter</b>	<b>Page 4</b>
<b>Operating Instructions</b>	<b>Page 5</b>
<b>Care and Maintenance</b>	<b>Page 8</b>
<b>Trouble Shooting</b>	<b>Page 11</b>
<b>Specification and Component List</b>	<b>Page 12</b>
<b>Installation Instructions</b>	<b>Page 13</b>



## **IMPORTANT**

To register your product warranty, please paste the serial numbers stickers enclosed with the packaging on your warranty card.

Please contact your local Rinnai After Sales Service Center should you require further assistance.

## Intended Use

**Please read this user manual thoroughly before attempting to use this appliance for the first time. This manual contains important information on safe installation, use and care of the appliance. Keep these instructions for reference and pass them on to future user.**

This appliance can only be used safely if it is correctly installed according to the safety instructions. The installer is responsible for ensuring that the appliance works correctly at its installation location.

This appliance is intended for domestic use and household environment only. The appliance is designed to eliminate unpleasant odours from the kitchen. Do not use the hood for other uses than its specific purpose. Do not leave the appliance unattended during operation.

This appliance may be used by children over the age of 8 years old and by persons with reduced physical, sensory or mental capacity or by persons with a lack of experience or knowledge if they are supervised by someone who is responsible for their safety or have been instructed in how to use the appliance safely and have understood the risks involved in not using it properly.

Children must not play with the appliance. Cleaning and user maintenance must not be performed by children unless they are over 15 years of age and are supervised. Keep children below the age of 8 years old at a safe distance from the appliance and power cable.

Check the appliance for damage after unpacking it. Do not connect the appliance if it has been damaged during transport.



### **Important**

**This extractor hood is intended for use in recirculating air mode only.**

**The manufacturer is not liable for any damage which is caused by improper use or incorrect operation.**

## Safety Information



### Warning – Suffocation

- Packaging material is dangerous to children. Never allow children to play with packaging material.



### Warning – Risk of Fire

- Do not operate the extractor without a grease filter. It is important to clean and/or replace the grease filters at appropriate intervals. Grease deposits build-up increases the risk of fire.
- Do not flambé or grill with an open flame directly under the extractor hood. Flames could be drawn up into the hood by the suction and the grease filters may catch fire. Do not install the extractor hood near a heat producing appliance for solid fuel (e.g. wood or coal) unless a closed, non-removable cover is available. There must be no flying sparks.
- Monitor cooking continuously as overheated oil increases the risk of self-ignition. Never use water to put out burning oil or grease. Switch off the cooker. Extinguish flames carefully using a lid, fire blanket or something similar.
- Never leave high naked flames under the extractor hood when it is in operation. An extractor hood installed above the cooker may become damaged or catch fire. Always cover lit burners with cookware.
- Ensure that the power supply chord is free from any heat source or sharp objects.
- Multiple plugs and extension cables must not be used. Overloading is dangerous and may cause a fire.
- Operating several gas burners at the same time gives rise to a great deal of heat. An extractor hood installed above the cooker may become damaged or catch fire.



### Warning – Risk of Burns

- Accessible parts become very hot when in operation. Never touch hot parts. Keep children at a safe distance.
- Appliance becomes hot during operation. Allow the appliance to cool down before cleaning.



### Warning – Risk of Injury

- Incorrect repairs are dangerous. Repairs should be attempted by our qualified technical personnel's only. If the appliance is defective, unplug the appliance from the mains or switch off the circuit breaker in the fuse box. Contact your local Rinnai After Sales Service Center for assistance.
- It is dangerous to modify any part of this appliance. Tampering with electrical connections or mechanical parts can cause operation faults and may put the user at risk.

- Do not use any high pressure cleaners or steam cleaners, which can result in an electric shock.
- Penetrating moisture may result in an electric shock. Clean the appliance using a damp cloth only. Before cleaning, pull out the mains plug or switch off the circuit breaker in the fuse box.
- Components inside the appliance may have sharp edges. Wear protective gloves.
- Lighting emitted by the LED lights are very dazzling and can damage the eyes. Do not look directly into lighted LED lights for longer than 100 seconds.



### **Warning – Risk of Electric Shock**

- A defective appliance may cause electric shock. Never switch on a defective appliance. Unplug the appliance from the mains or switch off the circuit breaker in the fuse box. Contact your local Rinnai After Sales Service Center for assistance.
- Incorrect repairs are dangerous. Any repairs and replacements of damaged power cable or components should be attempted by our qualified technical personnel's only. Contact your local Rinnai After Sales Service Center for assistance.
- Penetrating moisture may result in an electric shock. Clean the appliance using a damp cloth only. Before cleaning pull out the mains plug or switch off the circuit breaker in the fuse box.



### **Warning – Cause of Damage**

- Always switch on the appliance while cooking to avoid condensation. Condensation can produce corrosion damage.
- Always replace faulty lights to prevent the remaining lights from overloading.
- Do not clean the controls with a wet cloth as this may risk damage due to ingress of humidity into the electronic circuitry.
- Clean all stainless steel surfaces in the direction of the grain only as incorrect cleaning may damage the stainless steel surface. Do not use any stainless steel cleaners for controls.
- Never use strong and abrasive cleaning agents as this may cause damage to the stainless steel surface
- There is a risk of surface damage if you do not peel off the protective film. Remove the protective film from all parts of the appliance before using the appliance for the first time.

## Environmental Protection

### Energy Saving

- During cooking ensure that there is a sufficient supply of air to enable the extractor hood to work efficiently and with a low level of operating noise.
- Adjust the fan speed to the amount of cooking vapor produced during cooking. Only use intensive / booster mode when required. Operating the fan speed at lower levels consumes less energy.
- Switch off the extractor hood if you no longer require it.
- Clean and replace the grease filters at regular intervals in order to increase the effectiveness of the extractor hood and to prevent the risk of fire.

### Disposal

- This appliance and its packaging are environmentally friendly and recyclable. Please help us to care for the environment by disposing the packaging in a proper manner and recycling any old appliances.
- Before disposing an old appliance, disconnect it from the power supply and cut the power supply cord to prevent hazards.

### Operating Mode

#### Recirculating Air Mode



- The extractor hood fan draws in the cooking vapours and odors which is then clean by the grease filter and plasma filter. The clean air is then conveyed back to the kitchen via a vent opening in the hood.  
**Note:** This extractor hood is intended for use in recirculating air mode only.

## Plasma Filter

- This extractor hood is equipped with a plasma filter
- Operation, assembly, care and maintenance can be found in the instruction manual in the accessories bag that comes together with this extractor hood.

# Operating Instructions








## Operating the Extractor Hood

Touch the sensor buttons gently to operate this appliance.

To achieve better air extraction, it is advisable to switch on the extractor hood a few minutes before starting to cook and leave it on for approximately 15 minutes after cooking (or at least all cooking smell is completely removed).

## Control Panel



-  When the extractor hood is first plug in and power up this orange ring symbol will light up.  
**Note:** During standby mode the orange ring symbol will also be lighted up.
-  Touch this symbol to turn the extractor hood ON and OFF, when the extractor hood is switch ON, all symbols will light up at the same time including the numerical 0 on the display window and the front panel decorative light.  
**Note:** If the sensor sense that there is no movement on the control panel for approximately 40 seconds it will automatically go back to standby mode.
-  Touch this symbol to increase the fan setting (1 – 2 – 3 – P). To turn off the fan set it to 0.
-  Touch this symbol to decrease the fan setting (P – 3 – 2 – 1). To turn off the fan set it to 0.
-  To set to Booster Mode increase the fan setting until you see a P on the display window. After approximately 10 minutes it will automatically switch back to fan setting 3. If you want to disable the booster function before the preset time touch on either the fan setting increase or decrease symbol.  
**Note:** When using booster function the delay timer cannot be use at the same time.
-  To switch the perimeter panel LED light to ON and OFF position, touch and hold this symbol for approximately 1 second. To switch the perimeter panel LED strip light and front panel decorative light to ON and OFF position, touch and hold this symbol for approximately 3 seconds.  
**Note:** This function operates independently from the fan setting.
- 
  - a. To set up the delay timer increase the fan setting to either 1 or 2 or 3 as required.
  - b. Touch the timer symbol to begin setting the require time. Both fan speed number on the display window and the timer symbol will begin flashing for 5 seconds.
  - c. Set the require time by touching on the timer symbol.

**Note:** Touching once on the timer symbol will indicate a number 1 on the display window. The timer is preset from a minimum of 5 minutes to a maximum of 20 minutes where 1 is equivalent to 5 minutes, 2 is 10 minutes, 3 is 15 minutes and 4 is 20 minutes. If you want to disable this function before the preset time expires, touch on the increase or decrease symbol to set to 0. Timer will automatically cut off approximately 5 seconds.

- d. After the require time is set, the extractor hood will automatically switch back to the fan setting set beforehand and the timer symbol orange ring will start flashing.
- e. When the preset time has expires flashing will stop approximately 5 seconds later.



To set up clean and fresh function after cooking, set the fan increase/decrease symbol to 0 on the display window. Turn OFF the perimeter panel LED light panel by touching and holding the light symbol for approximately 1 second.

Touch and hold the timer symbol for approximately 3 seconds. An audible signal will sound as an acknowledgement. When the signal tone is activated the function will start and after approximately 40 seconds all lights will be turn off except for the ON/OFF symbol orange ring backlight and the timer symbol orange ring flashing.

To disable this function before the preset time expires, touch the ON/OFF symbol, all symbols will light up. Touch the timer symbol for approximately 3 seconds to disable this function.

Another alternative to operate this clean and fresh function if there is a need to clean the air in the room when there is no cooking is to switch ON the extractor hood by touching on the ON/OFF symbol. Touch and hold the timer symbol for approximately 3 seconds. An audible signal will sound as an acknowledgement. When the signal tone is activated the function will start and after approximately 40 seconds all lights will be turn off except for the ON/OFF symbol orange ring backlight and the timer symbol orange ring flashing. To disable this function before the preset time expires, touch the ON/OFF symbol, all symbols will light up. Touch the timer symbol for approximately 3 seconds to disable this function.

**Note:** Clean and fresh function is preset to work for the first 5 minutes each hour for 24 hours at fan setting speed 1.



If your extractor hood has been operated for 90 hours a white dot saturation indicator will flash on the lower right side of your display window to remind you that the metal grease filter should now be clean if you have not done so.

To reset this function touch and hold the timer symbol for approximately 5 seconds.



If your extractor hood has been operated for 270 hours a white dot saturation indicator will light up solidly on the lower right side of your display window to remind you that it is time to change the charcoal/carbon filter if you have not done so. If heavy cooking is observed or when the charcoal filters is/are noticeably dirty or discoloured, have the charcoal filters replaced immediately. The charcoal filters are not washable and cannot be restored.

To reset this function touch and hold the timer symbol for approximately 5 seconds.

**Note:** The saturation indicator does not apply to the activated carbon filter currently installed on your extractor hood. Please refer to your plasma filter user manual for the maintenance and care for the activated carbon filter.



## Care and Maintenance



**Warning:** Before carrying out any cleaning or maintenance activities, ensure that the appliance is disconnected from the main power supply.

Components inside the appliance may have sharp edges. Wear protective gloves.

### Cleaning Agents

To ensure that the different surfaces are not damaged by using the wrong cleaning product, follow the instructions in the table. Do not use any of the following:

- Harsh or abrasive cleaning agents, e.g. scouring powder or liquid scouring cleaner
- Cleaning products with a high alcohol content
- Hard scouring pads or cleaning sponges
- Pressure washers or steam cleaners
- Cleaning products that dissolve limescale
- Aggressive all-purpose cleaning products

**Note:** Use a new soft sponge or cloth. Do wash thoroughly before each use. Never use a wire sponge or brush as it may leave scratches or other marks and follow all instructions and warnings included with the cleaning products.

Surface	Instruction
Stainless Steel	Clean with warm soapy water using a soft damp sponge or damp cloth Wipe off with a dry lint free cloth to avoid smearing or staining on the hood Clean in the direction of the grains only
Painted Surface	Clean with warm soapy water using a soft damp sponge or damp cloth Wipe off with a dry lint free cloth Do not use any stainless steel cleaner
Aluminium and Plastic	Clean with warm soapy water using a soft damp sponge or soft damp cloth Wipe off with a dry lint free cloth
Glass	Clean with a solution of warm water and a little washing up liquid using a soft damp sponge or damp cloth Wipe off with a dry lint free cloth Do not use a scraper
Controls	Clean with warm soapy water using a soft damp sponge or soft damp cloth Wipe off with a dry lint free cloth Never clean the controls with a wet cloth as there is a risk of damage to the electronics

## Grease Filter



**Warning:** It is important to regularly clean and/or replace the grease filters at appropriate intervals as grease deposits build-up increases the risk of fire. Do not operate the extractor hood without any grease filter installed.

Components inside the appliance may have sharp edges. It is advisable that you wear protective gloves.

### Removing the Grease Filter (Fig.1)

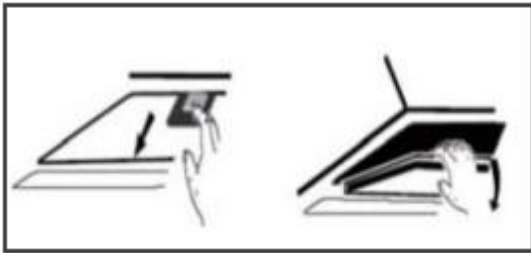


Fig.1

- Push open the lock and gently pull down the grease filter at the same time take hold of the grease filter from underneath using your other hand.
- Remove the grease filter out of the grease filter holder.

**Note:** Grease deposits may accumulate in the bottom of the grease filter. Hold the grease filter flat to prevent any grease or fats from dripping out of the filter.

### Cleaning the Grease Filters

- Do not use any aggressive, acidic or alkaline cleaning products.
  - The grease filters must be removed and cleaned every 4 weeks depending on the frequency of usage or when the orange indicator light blinks on the control panel display window.
  - When cleaning the grease filters, also clean the grease filter holder and all accessible parts in the appliance using a damp cloth.
  - The grease filters can be cleaned in the dishwasher or by hand.
- If by hand washing: Soak the filters in warm detergent solution (approx. 40C) to simplify the removal of grease. Brush the grease filters, rinse thoroughly and leave it to dry before refitting.
- If by dishwasher: Use normal domestic dishwashing detergent, select an appropriate wash program (no more than 70C), do not clean heavily soiled grease filters together with any cookware. Place the grease filters in the dishwasher leaving plenty of space around them. Leave it to dry before refitting.

**Note:** A slight discolouration of the grease filter may occur. This discolouration has no effect on the performance of the grease filters.

## Installing the Grease Filter

- Insert back the grease filter and lock it in place, at the same time take hold of the grease filter from underneath using your other hand to insert into the grease filter holder, make sure the grease filter is positioned correctly.
- If the grease filter has not been inserted correctly, open the lock and reinsert it again.

## Cleaning the Appliance Body

- Clean the extractor hood using warm detergent solution and a soft damp cloth. After cleaning, dry it using a lint free cloth.
- Avoid using corrosive or abrasive products that could damage the surface.
- Do not clean the controls with a wet cloth as this may risk damage due to ingress of humidity into the electronic circuitry

## Cleaning the Perimeter LED Light Panel (Fig.2 & Fig.2.1)

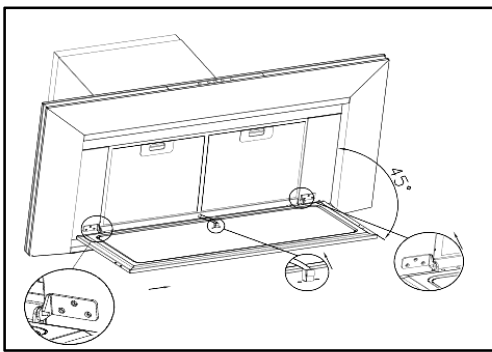


Fig. 2

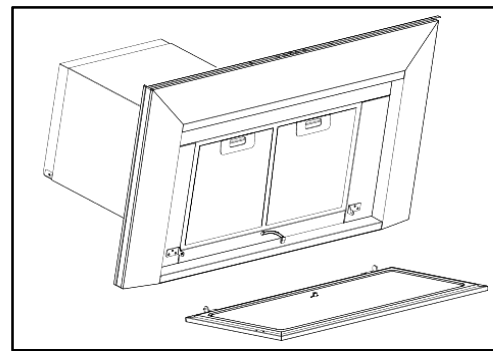


Fig.2.1

For perimeter LED light panel which are heavily soiled.

- Gently pull down the perimeter LED light panel and disconnect the power cable.
- Using both hands lift the perimeter LED light panel 45 degrees upwards towards the left back hook open gap, gently slide the perimeter LED light panel out from the right side.
- Spray the perimeter LED strip panel with warm water before cleaning with a solution of warm water and a little washing up liquid using a soft damp sponge or damp cloth. The perimeter LED light panel is protected from liquid and tested to IP 4 standard.
- Reverse the procedure when fitting back the perimeter light board panel.

If the perimeter LED light panel is not heavily soiled

- Gently pull down the perimeter LED light panel and disconnect the power cable
- Clean the perimeter LED light panel with warm soapy water using a soft damp sponge or soft damp cloth. Wipe off with a dry lint free cloth.
- Reverse the procedure when fitting back the perimeter lamp board panel.

**Note:** If the perimeter LED light panel has malfunction, do not attempt to fix it yourself, please contact your local Rinnai After Sales Service Center.

## Oil Collector Cup

### Cleaning the Oil Collector Cup (Fig.3 & Fig.3.1)

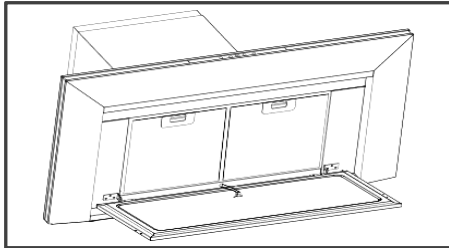


Fig.3

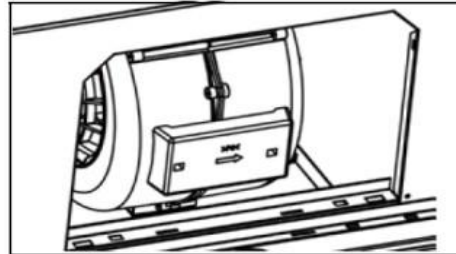


Fig.3.1

Gently pull down the perimeter LED light panel and disconnect the power cable.

- Remove the grease filters and slide the oil collector cup out from the housing. As oil may be present in the oil collector cup, hold the oil collector cup flat when removing it out of the housing.
- Clean the oil collector cup by using warm detergent solution. Leave it to dry before refitting.
- Reverse the procedure when fitting back

## LED Lights

Defective LED lights can only be replaced by the manufacturer, their customer service or their authorized after sales service agents only.

# Trouble Shooting



**Warning:** Incorrect repairs are dangerous. Repairs should be attempted by our qualified technical personnel's only. If the appliance is defective, unplug the appliance from the mains or switch off the circuit breaker in the fuse box. Contact your local Rinnai After Sales Service Center for assistance.

Problem	Possible Cause	Solution
The Extractor Hood Does Not Work	No electricity supply	Check power plug is connected and main power switch is turned on
	Faulty Fuse	Check fuse box of the extractor hood to make sure fuse is not blown
Whirring Sound	Foreign object may be in contact with fan blade	Please contact your local Rinnai After Sales Center
Motor is Running but No Air Flow	Non return flap might be jammed	Please contact your local Rinnai After Sales Center
Lights are not Working	The LED lights are defective	Please contact your local Rinnai After Sales Center

If problem persists after the above checks, please contact your local Rinnai After Sales Service Center for assistance.

Please quote the model number of your appliance as shown on the rating plate. (Fig.4)

For service calls under warranty, please note that it is necessary to produce your proof of purchase and valid warranty card.

Please be aware that a visit by an after-sales engineer will be charged if a problem turns out to be the result of user's error even during the warranty period.

**Note:** Rating plate is for illustration purpose only and its specifications may vary across other models

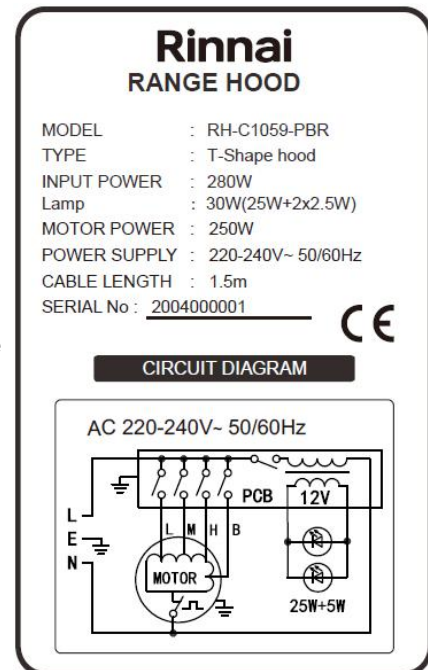
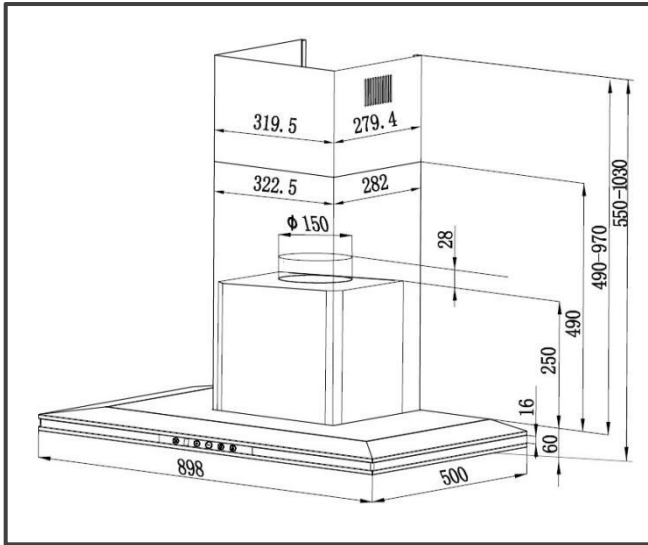


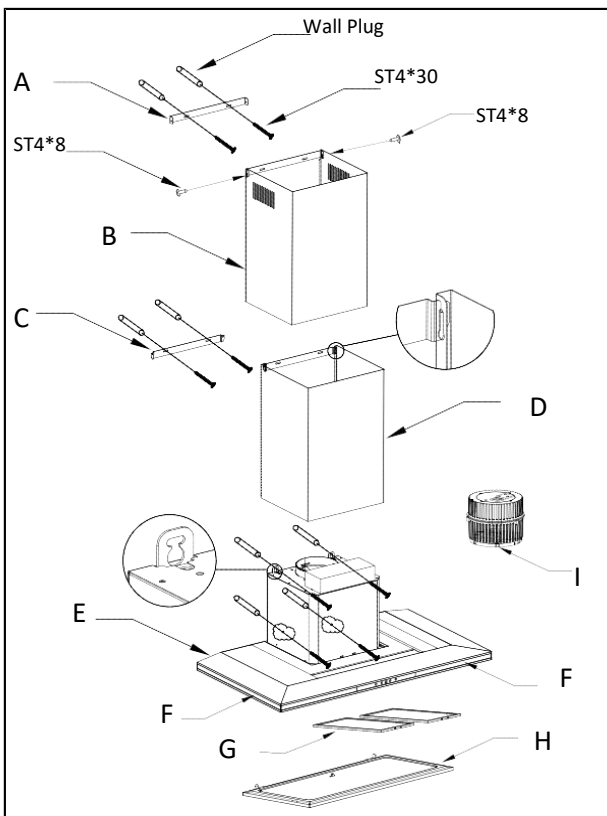
Fig. 4

## Specification



Model:	RH-C1059-PBR
Power Rating:	300W
Voltage:	220-240V
Power Frequency:	50/60Hz
Power of Lamps:	30W (25W Lamp board + 2 x 2.5W Decorative light)
Length of the cable:	1.5m
Appliance Dimensions:	898 x 500 x 550 - 1030mm (W x D x H)
*The manufacturer reserves the right to effect any technological improvement or modification without prior notice.	

## Components List



Ref	Qty	Product Parts
A	1	Mounting Bracket 1
B	1	Inner Duct
C	1	Mounting Bracket 2
D	1	Outer Duct
E	1	Hood Body
F	2	Decorative LED light
G	2	Aluminum Filter with SS Cover
H	1	Perimeter Panel
I	1	Plasma Filter with 2 ST3.9*12 screws
Ref	Qty	Installation Accessories
	8	Wall Plug
	8	Screw ST4*30
	2	Screws ST4*8
Ref	Qty	Documentation
	2	Installation/Plasma filter Manual
	1	1: 1 Installation Diagram
	1	Warranty Sticker

# Installation Instructions

## Safety and General Information

- Read these instructions carefully. Check the appliance for damage after unpacking it.
- The appliance can only be used safely if it is correctly installed according to the safety instructions. The installer is responsible for ensuring that the appliance works correctly at its installation location.
- If the supply cord is damaged, it must be replaced by the manufacturer, its service agent or qualified technical personnel in order to avoid a hazard.
- The surfaces of the appliance are easily damaged. Avoid damaging them during installation.
- This appliance is intended to be mounted on the wall.
- The extractor hood can be installed over any gas and electric cooktop. Minimum installation height from the bench top to the bottom of the hood is 700mm (gas range) and 550mm (electric range).Fig 5
- Always mount the extractor hood over the center of the hob.
- Ensure that the appliance is installed in a location with good permanent ventilation.
- When making electrical connections, check that the mains voltage and frequency corresponds to the technical information shown on the rating plate.
- Electrical connection must be made in accordance to local standards only. Check that the voltage in your area is correct before plugging in.
- Use an electrical connector with earth that is correct for your location. The electrical connection of this appliance must be connected to earth (where applicable):
  - Green & Yellow = EARTH
  - Blue = NEUTRAL
  - Brown = LIVE

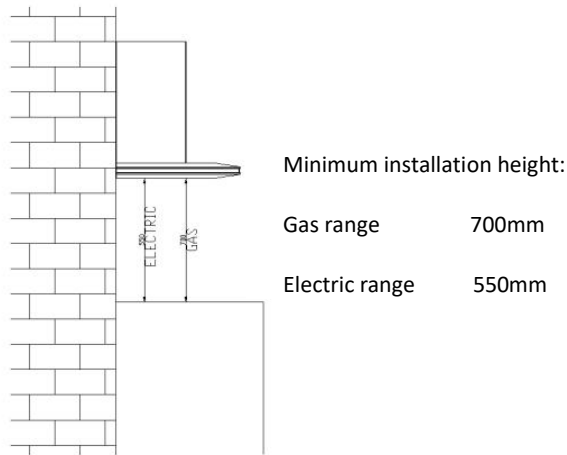


Fig 5



### Warning

Components inside the appliance may have sharp edges. Wear protective gloves.

- The extractor hood may fall down if it has not been properly fastened in place. All fastening components must be fixed firmly and securely.
- The extractor hood is heavy. To move the appliance 2 people are required. Use only suitable tools and equipment.
- Changes to the electrical or mechanical assembly are dangerous and may lead to malfunctions. Do not make any changes to the electrical or mechanical assembly.
- Components inside the appliance may have sharp edges. These may damage the connecting cable. Do not kink or pinch the connecting cable during installation.
- It must always be possible to disconnect the appliance from the electricity supply.
- The appliance must only be connected to a protective contact socket that has been correctly installed.
- The mains plug of the mains power cable must be easily accessible after installation of the appliance. If this is not possible, an all-pole isolating switch must be integrated into the permanent electrical installation
- The permanent electrical installation must only be wired by a professional electrician.

***Note: The manufacturer will not be held liable for any damages resulting from improper installation nor failure to adopt proper safety measures during installation and operational use of the appliance.***

### Checking the Wall

- Do ensure the wall must be level, vertical and adequately loadbearing.
- The depth of the bore holes must be the same length as the screws. The wall plugs must have a secure grip.
- The enclosed screws and wall plugs are suitable for solid brickwork. Suitable fasteners must be used for other structures (e.g. plasterboard, porous concrete, perforated bricks).



- The max weight of the extractor hood is 18kgs.

### Preparing the Installation

Ensure that there are no electrical wires, gas pipes or water pipes in the area where holes are to be drilled.

#### Step 1 (Fig.6)

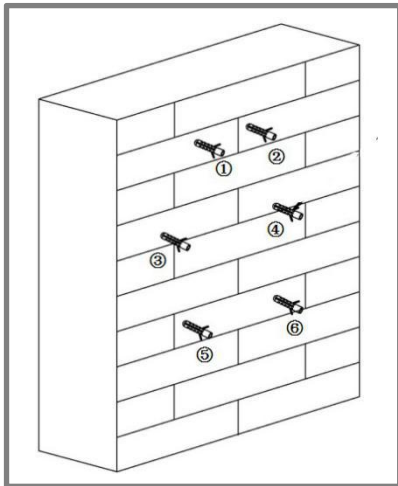


Fig.6

- Determine where the extractor hood should be positioned and lightly mark where the lower edge of the appliance should be on the wall. Determine where the middle should be based on the hob.
- Place the template against the line drawn on the wall and tape it in place. Mark the area where the screws should be inserted.
- Drill 8mm diameter holes to a depth of 40mm for fastening the appliance, remove the template and press in the wall plugs flush with the wall and mount the screws (Do not tighten)

### Attaching and Aligning the Extractor Hood

#### Step 2 (Fig.7, Fig.7.1, Fig.7.2)

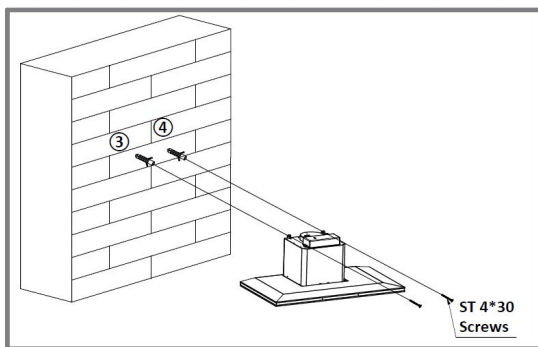


Fig.7

- Mount the appliance onto the wall and do ensure that it is properly engaged with the mounting screws 3 & 4 (Fig.7)

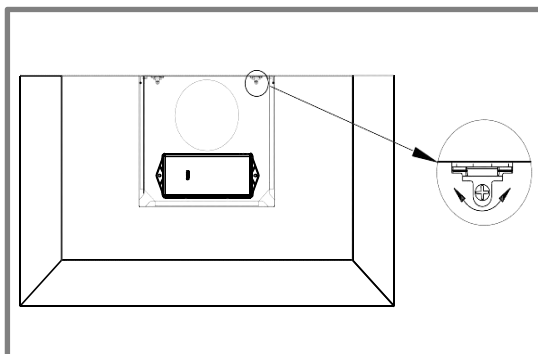


Fig.7.1

- If there is a need to realign the appliance, adjust the screws on the top of the motor housing (Fig.7.1)

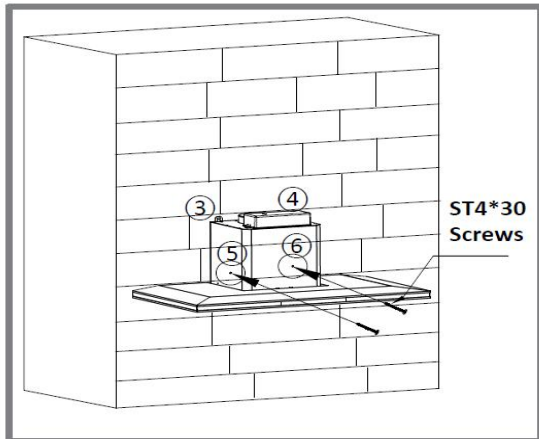


Fig.7.2

- Tighten the screws 3, 4, 5, 6 firmly after realignment. (Fig. 7.2)

### Mounting the Plasma Filter onto the Extractor Hood



**Warning:** Failure to install the screws or fixing the device in accordance with these instructions may result in electrical hazards.

The appliance must be installed by a qualified person in compliance with the instructions provided

#### Step 3 (Fig.8, Fig.8.1, Fig.8.2, Fig.8.3)

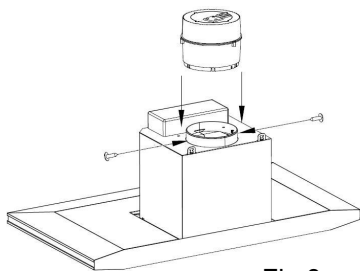


Fig.8

- Mount the plasma filter carefully and level on the motor housing. Use the screws provided (ST3.9\*12mm screws) to clamp the filter firmly. (Fig.8)

Universal Socket

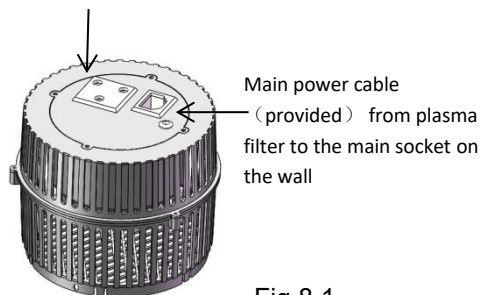


Fig.8.1

- Check the corresponding power sockets before plugging in the power cable. (Fig.8.1)

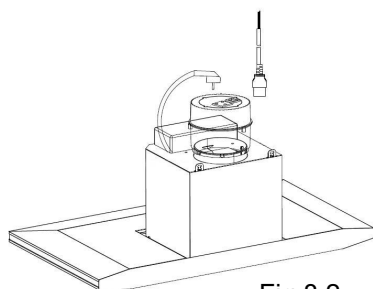


Fig.8.2

- Connect the existing power cable from the extractor hood to the plasma filter universal socket (Fig.8.2)

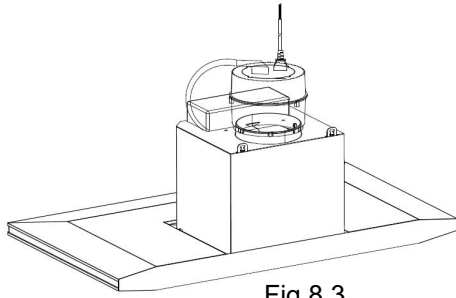


Fig.8.3

- Connect the main power cable (provided) from the plasma filter to the main power socket on the wall. (Fig.8.3)
- Switch ON the extractor hood to activate the plasma filter. Air flow will pass through a sensor to activate the plasma filter automatically. It may take approximately 20 to 30 seconds to activate the plasma filter. An audio signal will sound to indicate that the plasma filter is now switch ON.

### Attaching the Flue Ducts

#### Step 4 (Fig.9, Fig.9.1, Fig.9.2)

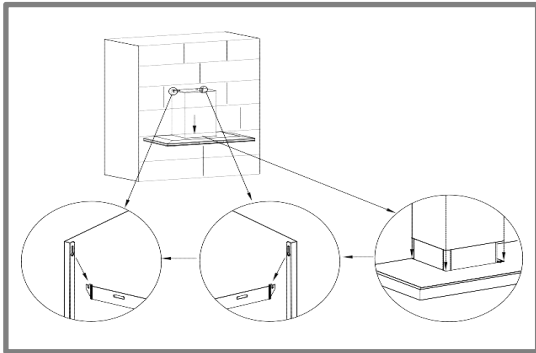


Fig.9

- Secure the mounting bracket onto the screws firmly 1 & 2 and place the outer flue duct onto the appliances. (Fig. 9).
- Slide the outer flue duct section downwards, attached it to the left and right of the retaining bracket to engage it. (Fig. 9)
- 

**Note:** To prevent scratches, lay paper over the edges of the lower flue duct to protect the surface.

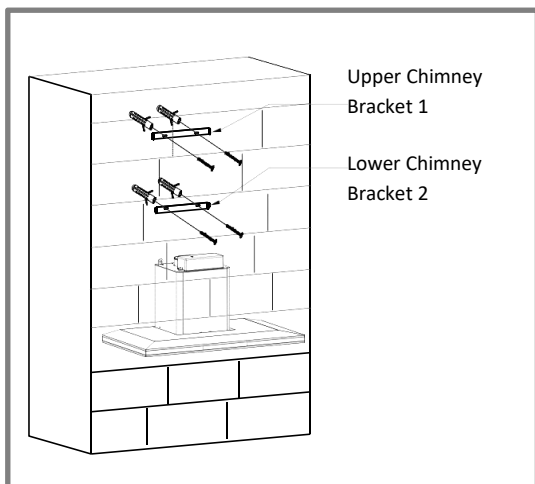


Fig.9.1

- Slide the inner flue duct to the required height and mark where the screws should be inserted and drill 8mm diameter holes to a depth of 40mm and secure the mounting bracket onto the screws provided. (Fig. 9.1)

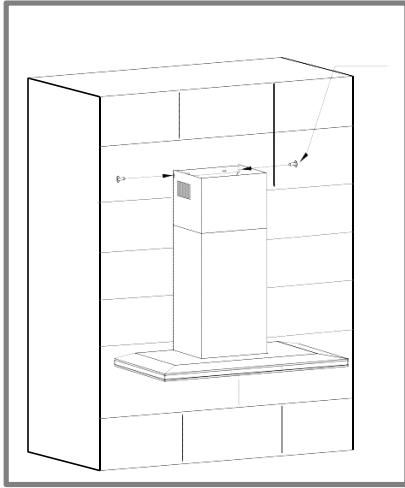


Fig.9.2

- Use the provided ST4\*8 screws to attach the inner flue duct on the left and right sides of the bracket. (Fig. 9.2)







## Rinnai Customer Care Centres

### China | 中国

Guangzhou Rinnai Gas & Electric  
Room 2805, No.31 Jianghe Building,  
Tianshou Road, Guangzhou, China  
广州林内燃具电器有限公司  
中国广州天河区天寿路 31 号江河大厦 2805 室  
Tel 电话 : (86) 20 3821 7976  
Email 邮箱 : grrjdg@gzrinnai.com.cn  
URL 网址 : www.gzrinnai.com.cn

### Indonesia

PT. Bhakti Idola Tama  
Jl. Raya Perjuangan No.21  
Komp. Ruko Sastra Graha No.11-13  
Jakarta 11530  
Tel : (62) 0800 1 889 889 (Customer Care) /  
(0815 112 99999 (SMS Center)  
Email: customercare\_bit@yahoo.com  
URL: www.rinnai.co.id

### Macau | 澳門

Rinnai Appliance Service Center  
Nam Kwong Petroleum & Chemicals Co., Ltd  
Avenida do Dr. Rodrigo Rodrigues, Nam Kwong  
Building, 17/F, Macau  
Phone 電話 : (853)83911712  
Fax 傳真 : (853)28330856  
URL 网址 : www.rinnai.com.hk/mo

### Malaysia

Rinnai (M) Sdn Bhd  
D2-3-G & D2-3-1, Block D2, Pusat Perdagangan Dana 1,  
Jalan PJU 1A/46, 47301 Petaling Jaya,  
Selangor Darul Ehsan, Malaysia  
Fax : (60) 3 7832 0036  
Toll free: 1800-88-8180  
Email: customercare@rinnai.com.my  
URL : www.rinnai.com.my

### Myanmar | မြန်မာ

Myanmar Kowa International Co., Ltd  
No.199, Ground Floor, 34th Street (Upper Block),  
Kyauktada Township, Yangon, Myanmar  
အမှတ် (၁၉၉)၊ ၃၄ လမ်း (အပေါ်ဘလောက်)၊  
ကျောက်တံတားမြို့နယ်၊ ရန်ကင်းမြို့။  
Tel 电话 : (95-1) 245925 / 246304 / (95-9) 7300 7773  
Fax 电话(၆) : (95-1) 245925  
Email 电子邮箱 : marketing@myanmarkowa.com

### Philippines

Mitsui Industria Corporation  
10 Buenaventura St., Cor MacArthur  
Highway, Dalandan Valenzuela City,  
Philippines  
Tel : (63) 2 292 9177 / 292 9179  
Fax : (63) 2 292 8187

### Singapore

Rinnai Holdings (Pacific) Pte Ltd  
61 Ubi Road 1 #02-20 & 21  
Oxley Bizhub Singapore 408727  
Tel : (65) 6748 9478  
Fax : (65) 6745 9240  
Email : service@rinnai.sg  
URL : www.rinnai.sg

### Thailand | ประเทศไทย

Rinnai (Thailand) Co., Ltd. / Lucky Flame Co., Ltd.  
61/1 Soi Kingkaew 9, Kingkaew Rd.  
Racha Thewa, Bangphli, Samutprakarn 10540, Thailand  
บริษัท รินไน (ประเทศไทย) จำกัด  
เลขที่ 61/1 ซอยกิ่งแก้ว 9 ถนนกิ่งแก้ว ตำบลราชาเทวะ  
อำเภอบางพลี จังหวัดสมุทรปราการ  
ประเทศไทย 10540  
Tel : (66) 2 3124330-40  
Email : lucky02@luckyflame.co.th  
URL : www.luckyflame.co.th

### Vietnam | Việt Nam

Rong Viet Commerce Company Limited  
120 3/2 Street, Ward 12, District 10,  
Ho Chi Minh City, Vietnam  
Công Ty TNHH Thương Mại Rồng Việt  
120 Đường 3/2, Phường 12, Quận 10,  
TP. Hồ Chí Minh, Việt Nam  
Tel : (84) 8 3862 3409  
Fax : (84) 8 5404 1964  
Email : info@rongviet-rinnai.com  
URL : www.rongviet-rinnai.com