

## Kitchen Faucet : STB-03S

### Installation Guide

**⚠ IMPORTANT!** Please read the instructions carefully before installation.

Not suitable for gravity feed systems.

This product may be used for both domestic and commercial applications.

All pipe work must be thoroughly flushed prior to installation – failure to do this will result in foreign materials blocking the flow regulating device and reduce the flow.

Do not conduct hydrostatic test once the tap has been fitted – doing this will cause damage to the ceramic cartridge.

Isolating stop valves are recommended to be fitted to the hot & cold water supply connections for ease of maintenance.

### Installation

Requirements; Mounting surface with a single 25mm diameter hole and thickness of not more than 35mm.

**⚠ IMPORTANT!** Before installation;

Flush through the pipe work to ensure removal of debris.

Turn off the water mains and close any isolating valves.

Ensure the mounting surface is clean.

#### **Installing the tap on to the mounting deck.**

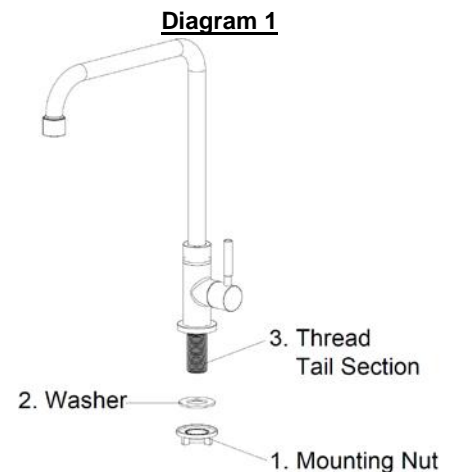
Refer Diagram 1.

Unscrew and remove Mounting Nut ① & Washer ② from tap body.

Place the Threaded Tail Section ③ into the mounting deck hole.

Ensure that the tap base sits squarely on the mounting deck and check that it is aligned perfectly to the sink.

Secure the tap by first inserting the washer, followed by the mounting nut over the threaded tail section and turn till tight by hand.



### Cleaning

Always use a soft damp cloth with mild detergent to wipe clean the fittings.

**⚠ IMPORTANT!** Avoid using abrasive detergents, cleaning powders & scouring pads – they will scratch and damage the surface.

**⚠ IMPORTANT!** Never use strong disinfectants, cleaners containing hydrochloric acid or phosphoric acid as they will cause serious damage to the finish.

### Technical Specifications

Inlet Connections : 1/2" BSP

Operating Pressure : 150kPa-500kPa  
(Should the pressure exceed 500kPa; pressure limiting valve must be installed).

Temperature : Max water temperature 50°C

### Dimensions

