


# EXPLODED VIEW SPECIFICATION

PT. RINNAI INDONESIA

MODEL	: RB-713N-S ( LPG/NG )
CUSTOMER	: MALAYSIA
DATE	: 12-Nov-10
REMARKS	: @ NEW PARTS / MODIFY
	: # SPECIAL PARTS RM

APPROVED	CHECKED	CHECKED	MAKE BY
			 ( SUWENDA )

RB-713N-S ( LPG/NG ) => MALAYSIA

NO	PART NUMBER	PART NAME	QTY	
			LPG	NG
1	JK0010-021-1-PR	TOP PLATE (PRINT)	1	1
2	CP-21676-0406TK	SCREW	9	9
3	ZSCB04K	WASHER	6	6
4	JK0010-058	KNOB PACKING	3	3
5	JK0010-037-1S	KNOB ASSY (SILK)	3	3
6	JK0010-010	PAN SUPPORT H ASSY (ENAMEL)	2	2
7	JK0010-014	PAN SUPPORT S ASSY (ENAMEL)	1	1
8	JK0010-020	CASING (PAINT)	1	1
9	JK0010-028-3	SEAL PACKING L. 800	2	2
10	JK0010-028-4	SEAL PACKING L. 360	2	2
11	JK0010-028-5	SEAL PACKING L. 100	10	10
12	<b>JK0010-028-6</b>	<b>SEAL PACKING L. 50</b>	<b>3</b>	<b>3</b>
13	<b>RH402583</b>	<b>BLIND SEAL (GREY) Ø 11</b>	<b>38</b>	<b>38</b>
14	ZQAA0555SZ	SCREW CASING	6	6
15	CP-90107-26	WIRE CLIP	3	3
16	RB3G-272	CASING LOWER PACKING	<b>5</b>	<b>5</b>
17	RT-870-124	RUBBER LEG ASSY	4	4
18	JK0010-002	MANIFOLD PIPE (PAINT)	1	1
19	<b>RB712-005</b>	<b>HOSE END COVER (GEN)</b>	<b>1</b>	<b>1</b>
20	RB2EH-229	MANIFOLD BRACKET	1	1
21	JK0010-019	MANIFOLD SUPPORT	1	1
22	CP-21580	SCREW	2	2
23	RIT 0045x01	MANIFOLD CAP	1	
24	>> C001X-01000-1	GAS VALVE ASSY (LPG) 0.40	1*	
	>> C001X-01000-2	GAS VALVE ASSY (LPG+NG) 0.55		1*
25	>> C001X-01000-2	GAS VALVE ASSY (LPG+NG) 0.55	2*	
	>> C001X-01000-3	GAS VALVE ASSY (NG) 0.85		2*
26	<b>JK0010-003A</b>	<b>BURNER CONN TUBE H ASSY (RHS)</b>	<b>1</b>	<b>1</b>
27	<b>JK0010-005A</b>	<b>BURNER CONN TUBE H ASSY (LHS)</b>	<b>1</b>	<b>1</b>
28	<b>JK0010-004A</b>	<b>BURNER CONN TUBE ASSY (CENTER)</b>	<b>1</b>	<b>1</b>
29	>> <b>JK0010-056-0.95</b>	<b>MAIN NOZZLE Ø 0.95</b>	2	
	>> JK0010-055-1.35	MAIN NOZZLE Ø 1.35		2
30	>> JK0010-056-0.7	MAIN NOZZLE Ø 0.7	1	
	>> JK0010-055-0.95	MAIN NOZZLE Ø 0.95		1
31	M10B-1-8	O RING	3	3
32	BG4-85x01	STOPPER RING	3	3
33	CP-30488x01	CONN TUBE BRACKET	3	3
34	ZBA 0408 SZ	SCREW	5	5
35	RB2EH-238	GAS VALVE BRACKET	3	3
36	ZHAB 0408 SZ	SCREW	6	6
37	JK0010-016	GAS VALVE SUPPORT	1	1
38	JK0010-054	GAS VALVE COVER	1	1
39	JK0010-040	TOP PLATE SUPPORT	2	2
40	JK0010-006	BURNER SUPPORT H	2	2
41	JK0010-007	BURNER SUPPORT S	1	1
42	ZEAB 0406 SZ	SCREW	21	21
43	B2B148-03	H BURNER BODY ASSY	2	2
44	B2B148-06	NOZZLE HOLDER H	2	2
45	B2B148-01-E	H BURNER CAP (ENAMEL)	2	2

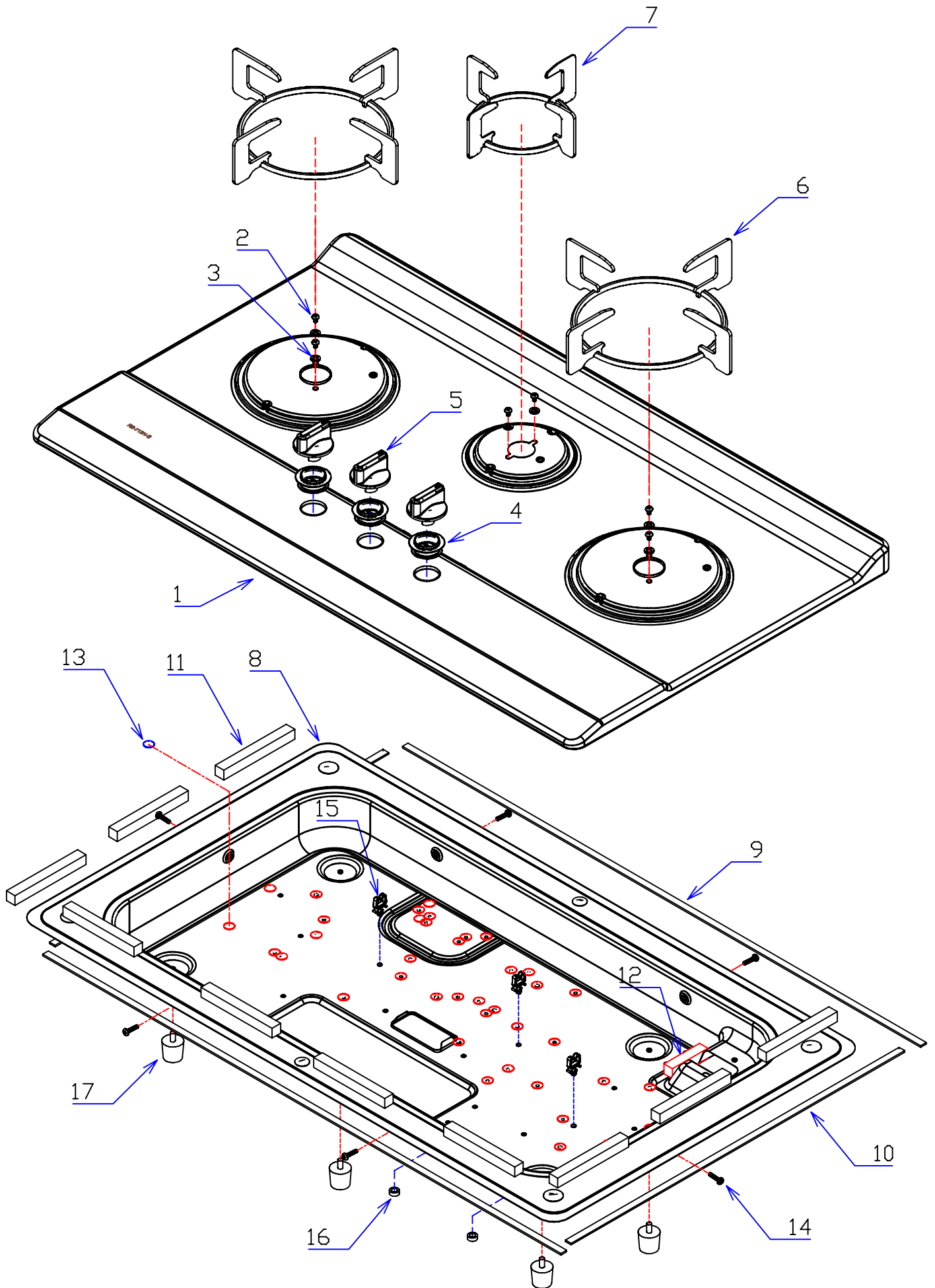
**RB-713N-S ( LPG/NG ) => MALAYSIA**

NO	PART NUMBER	PART NAME	QTY	
			LPG	NG
46	B2B148-02-E	SIMMER BURNER CAP (ENAMEL)	2	2
47	B2B149-04	S BURNER BODY	1	1
48	B2B149-01-E	SMALL BURNER CAP ASSY (ENAMEL)	1	1
49	B2B149-05	NOZZLE HOLDER S	1	1
50	RB-339-2	SPARKER	1	1
51	CP-21591x01	SCREW (M4x10)	3	3
52	CP-21591-3	SCREW (M4x12)	6	6
53	RB712-011-1	HIGH VOLTAGE CORD ASSY	1	1
54	RB712-011-3	HIGH VOLTAGE CORD ASSY	1	1
55	RB712-011-2	HIGH VOLTAGE CORD ASSY	1	1
56	B2A117-6x02	ELECTRODE	3	3
57	B2A1-5x02	ELECTRODE COVER	3	3
58	B2B148-07	ELECTRODE FIXING PLATE	3	3
59	JK0010-044	SPARKER SHIELD PLATE ASSY	1	1
60	RB2EH-236-2x01	BATTERY COVER	1	1
61	CP-90382x02	BATTERY BOX ASSY	1	1
62	CP-90101-2	BATTERY	1	1
63	RB713-001	MAIN HARNESS ASSY	1	1
64	P201W48-3E100-8-P	CARTON BOX RB-713N (PRINT)	1	1
65	PL0004-50-2	PLASTIC PACK 710	1	1
66	RB713-005-1	STYROFOAM SET RB-713N	1	1
67	RB3RHS-182	POLYFOAM SHEET	1	1
# 68	RB-321x01-E	WOK ADAPTOR (ENAMEL) RB-2GH	1	1

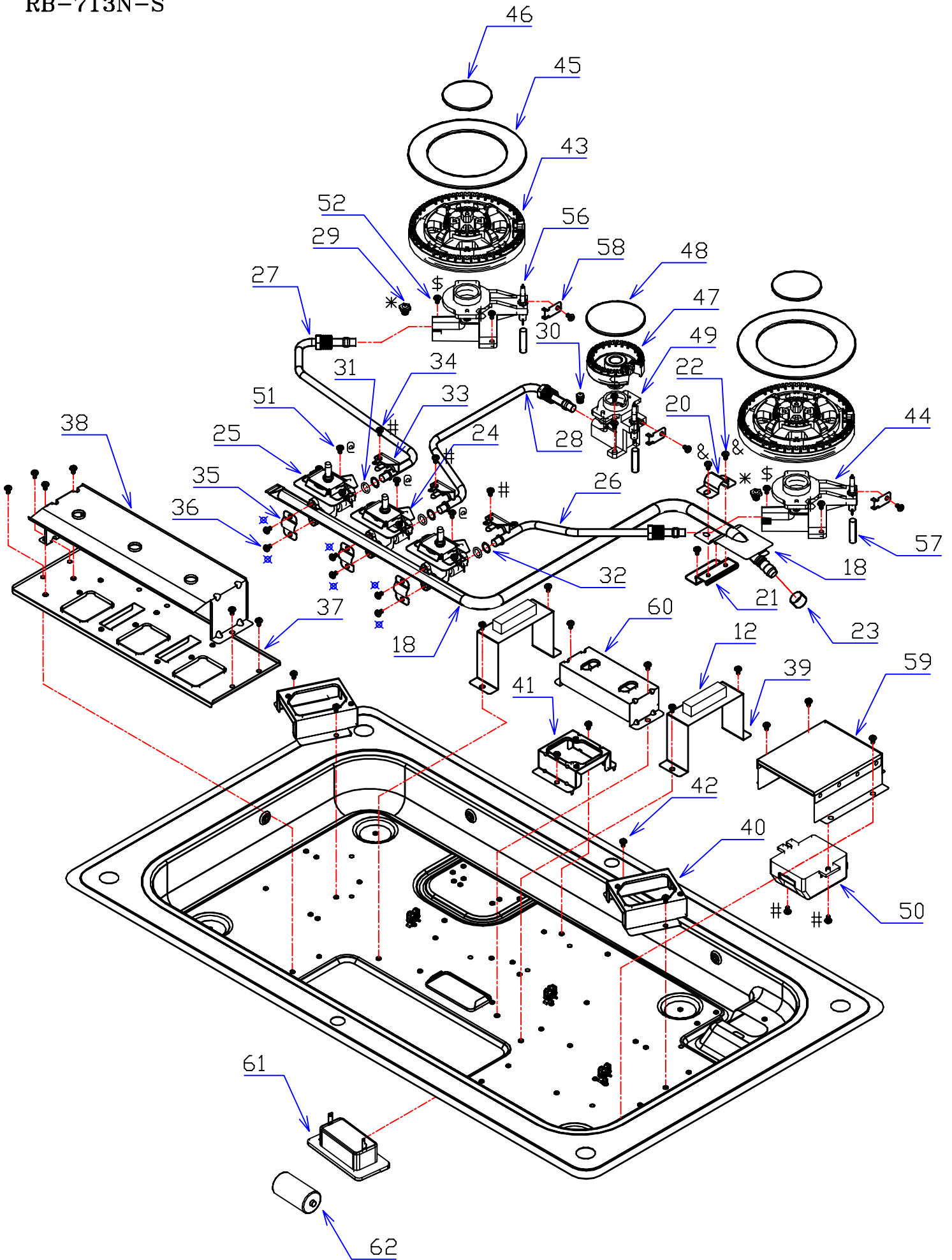
**Note :**

~ Gas Valve (2\*) +(1\*) => Included Rubber Packing.

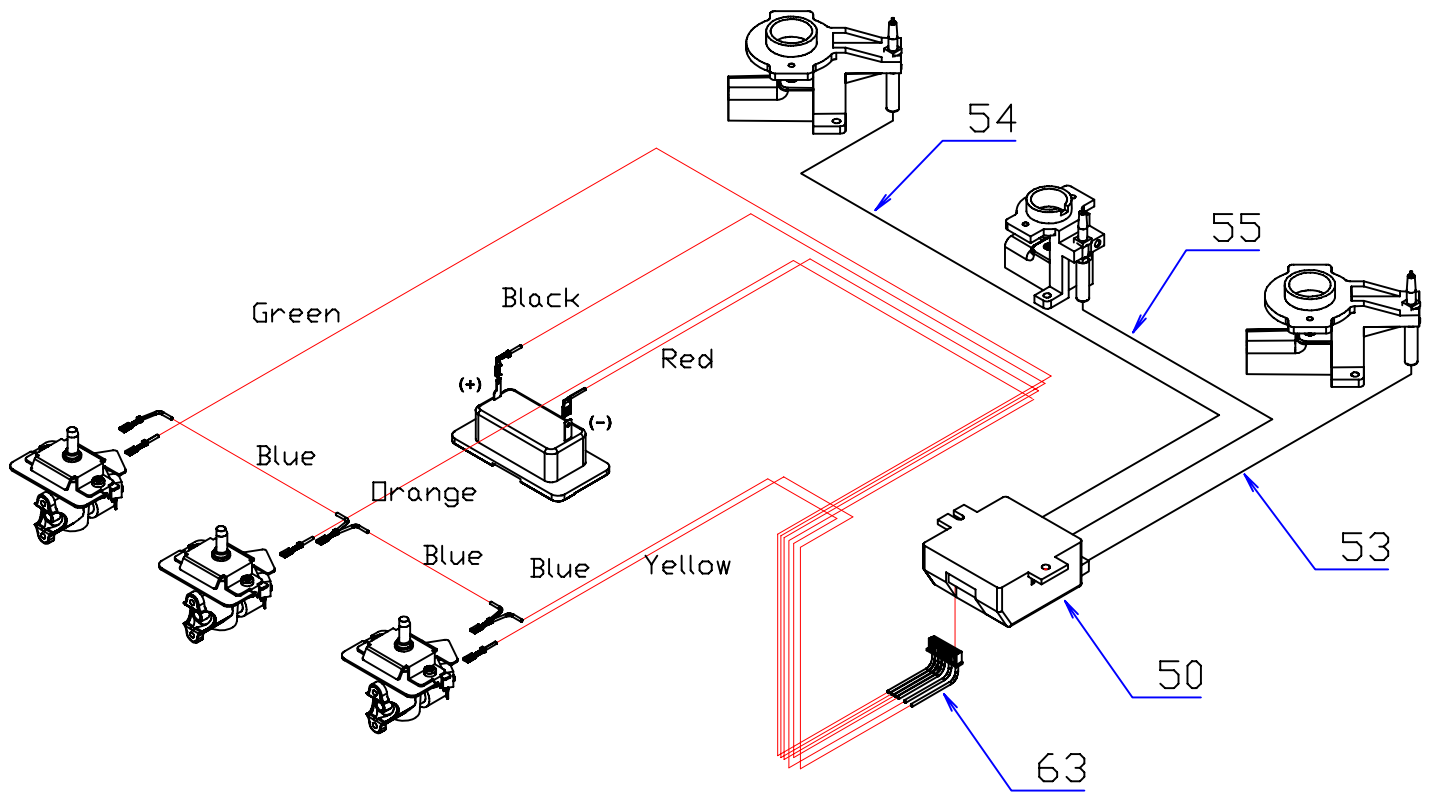
RB-713N-S



RB-713N-S



# RB-713N-S



RB-713N-S

