

EXPLODED VIEW SPECIFICATION

PT. RINNAI INDONESIA

MODEL	:	RB-93UG (LPG)
CUSTOMER	:	EXPORT / SINGAPORE
DATE	:	16-Feb-17

APPROVED	CHECKED	CHECKED	MAKE BY

RB-93UG (LPG) => EXPORT / SINGAPORE

NO	PARTS NO	PARTS NAME	QT'Y
1	RB90-003	GLASS TOP (PRINT) BLACK (RB-93UG)	1
2	RB3G-225-380-2	SEAL PACKING (FOR GLASS TOP)	2
3	RB3G-225-740-2	SEAL PACKING (FOR GLASS TOP)	1
4	RB70-043	SEAL PACKING CORNER	4
5	HZQ288B1-05	BURNER COVER PACKING H	2
6	HZQ288B1-07	BURNER COVER PACKING S	1
7	HZQ288B1-04	BURNER COVER (SUPPORT H)	2
8	HZQ288B1-08	BURNER COVER (SUPPORT S)	1
9	HZQ288B1-03A	BURNER COVER (H/LHS)	1
10	HZQ288B1-03C	BURNER COVER (H/FRONT RHS)	1
11	HZQ288B1-06A	BURNER COVER (S/BACK RHS)	1
12	V642-00-0	O RING PUSHING PLATE	9
13	* CP-21676-0406TK	SCREW (SUS304 M4x6x0,7)	9
14	HZQ288A1-03	PAN SUPPORT H	2
15	HZQ288A1-04	PAN SUPPORT S	1
16	HZQ288B1-09	KNOB PACKING (GLASS)	3
17	HZQ288A1-14-00A	KNOB ASSY (BAKELITE)	3
18	HZQ288B1-02	CASING (RB 92/93 GLASS)	1
19	ZAA0530SZ	SCREW CASING (M5x30)	4
20	RB70-044-1000	SEAL PACKING (FOR CASING UPPER & LOWER)	5
21	RH402583	BLIND SEAL (GREY) Ø11	27
22	RB-336-60	BLIND SEAL (GREY) L = 60	1
23	RB-336-120	BLIND SEAL (GREY) L = 120	1
24	RB3G-272	CASING LOWER PACKING	7
25	HE29-05A	WIRE FIXER	4
26	HZQ288A1-09	TOP PLATE (SUPPORT)	1
27	^ ZEAB 0406 SZ	SCREW (TS-B M4x6)	6
28	RB3G-225-100-4	SEAL PACKING (FOR TOP PLATE SUPPORT)	1
29	HZQ288A1-07	VENTURY SUPPORT (H)	2
30	HZQ288A1-06	VENTURY SUPPORT (S)	1
31	HZQ288A1-08	GAS VALVE FIXING PLATE (SUPPORT)	1
32	90302155	POP RIVET	14
33	HZQ288A1-05-00	MANIFOLD PIPE ASSY (RB-93/PAINT)	1
34	AU19-113	HOSE END PACKING	1
35	HE21-13-01	HOSE END SET (LP SIN)	1
36	RIT-0045x01	MANIFOLD CAP	1
37	O ZIAD 0408 SZ	SCREW (M4x8)	4
38	C114K-4-5	SV GAS VALVE SINGLE ASSY (NG)	1
39	C114K-3-6	SV GAS VALVE DOUBLE ASSY (NG)	2

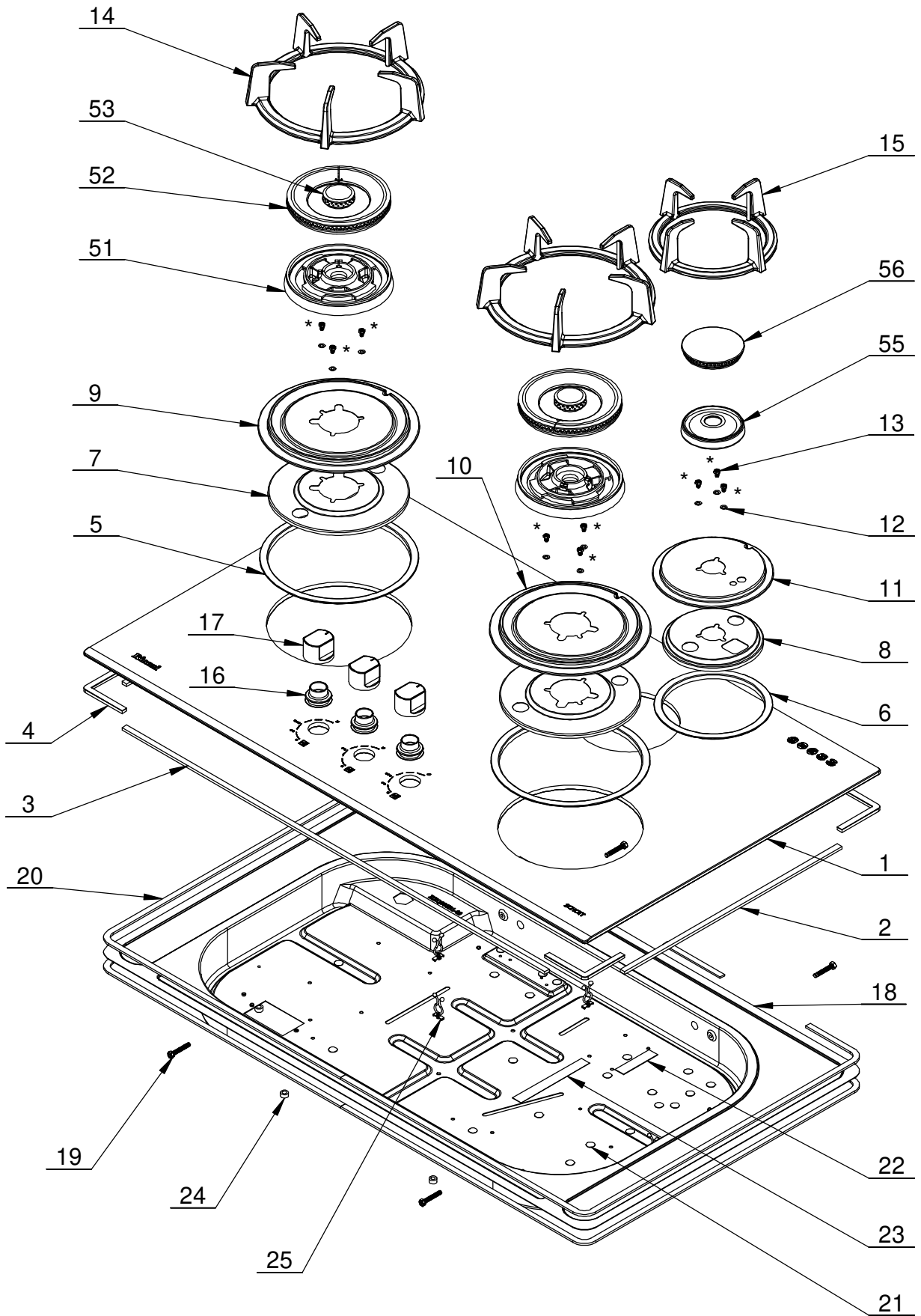
RB-93UG (LPG) => EXPORT / SINGAPORE

NO	PARTS NO	PARTS NAME	QT'Y
40	RB2EH-238	GAS VALVE BRACKET	3
41	% ZHAA 0410 SZ	SCREW (M4x10 SW)	6
42	HZQ288A1-17	BURNER CONN TUBE (LEFT/ MAIN ASSY RB-93U)	1
43	HZQ288A1-18	BURNER CONN TUBE (LEFT/ SIMMER ASSY RB-93U)	1
44	HZQ288A1-19	BURNER CONN TUBE (RIGHT/ MAIN ASSY RB-93U)	1
45	HZQ288A1-20	BURNER CONN TUBE (RIGHT/ SIMMER ASSY RB-93U)	1
46	HZQ288A1-21	BURNER CONN TUBE (MIDDLE ASSY RB-93U)	1
47	BG4-85x01	STOPPER RING	5
48	M10B-1-8	O-RING	5
49	RB2EH-230	CONN TUBE BRACKET (HS)	3
50	@ ZBA 0408 SZ	SCREW (M4x8 FT)	3
51	HS088A2.0(Y.T)-A2	H BURNER BODY ASSY (LPG)	2
52	HS088A3-1(Y.T)	H BURNER HEAD (LPG)	2
53	HS088A4-1(Y.T)	SIMMER BURNER HEAD (H/LPG)	2
54	HS002A1-1-04-Y1	VENTURY BURNER (H)	2
55	HS059A2.0(Y,T)-A2-C1	S BURNER BODY ASSY (LPG)	1
56	HS059A3-1(Y.T)-A	S BURNER HEAD (LPG)	1
57	HS059A1-1-04-Y1	VENTURY BURNER (S)	1
58	# CP-21591-3	SCREW (SWCH16A M4x12)	9
59	φ ZBA 0410 SZ	SCREW (M4x10 FT)	2
60	HZQ015B0-05A	DAMPER FIXER FOR H BURNER (GLASS)	2
61	HE12-01F	DAMPER ASSY (FOR H BURNER)	2
62	HE12-01G	DAMPER ASSY (SIMMER FOR H BURNER)	2
63	HE12-15A	DAMPER ASSY (FIXER FOR S/ES BURNER)	1
64	HZQ015B0-08B	DAMPER ASSY (S/ES BURNER)	1
65	Ω FH0406MS	SCREW (COUNTERSUNK M4x6)	8
66	HE13-02A	DAMPER ASSY (SPRING)	5
67	HE14-10.Y095	MAIN NOZZLE (H BURNER DIA. 0.95/LPG)	2
68	HE14-03B.Y048	MAIN NOZZLE (H SIMMER DIA. 0.48/LPG)	2
69	HE14-03A.Y068	MAIN NOZZLE (S BURNER DIA. 0.68/LPG)	1
70	HZQ060C1-08	BURNER COVER	2
71	\$ V749-00-0	HEX SCREW (M4x6)	4
72	HZQ288A1-11-450A3	ELECTRODE ASSY FOR H BURNER (L=450)	1
73	HZQ288A1-11-700A3	ELECTRODE ASSY FOR H/ M BURNER (L=700)	1
74	HZQ288A1-12-350A3	ELECTRODE ASSY FOR S/ES BURNER (L=350)	1
75	HZQ253A1-16	ELECTRODE (BRASS SLEEVE)	3
76	HE28-02B	ELECTRODE (FIXER B)	2
77	HE28-02A	ELECTRODE (FIXER A)	1
78	C10A-84S-6X02	THERMOCOUPLE ASSY (L=350)	2
79	SC10A-84S-2X02	THERMOCOUPLE ASSY (L=450)	1
80	HZQ253A1-17	THERMOCOUPLE BRACKET (BRASS SLEEVE)	3
81	HZQ288A1-15	THERMOCOUPLE BRACKET (SCREW BRASS SLEEVE)	3
82	RB70-041	TC BRACKET	3
83	X CP-21676-0410TK	SCREW (SUS304 M4x10x0,7)	3
84	RB90-024	MAIN HARNESS RB-73/93	1
85	HE19-02A	BATTERY BOX	1

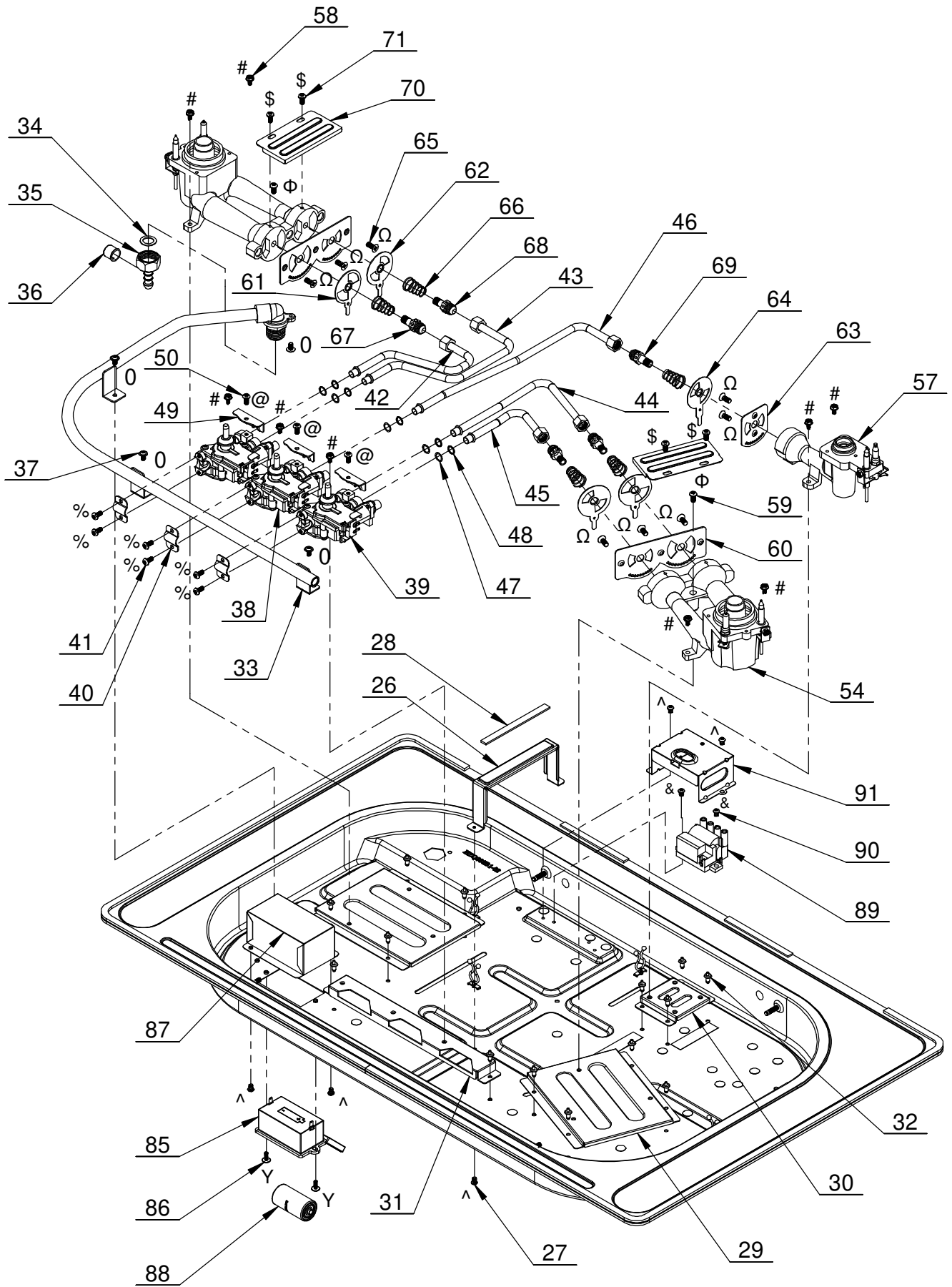
RB-93UG (LPG) => EXPORT / SINGAPORE

NO		PARTS NO	PARTS NAME	QT'Y
86	Y	9228474010	SCREW (M4x10 RH)	2
87		HZQ253A1-09	BATTERY BOX COVER	1
88		CP-90003-2X01	BATTERY	1
89		EI-194	SPARKER	1
90	&	CP-80452	SCREW (M4x10)	2
91		RB4E-191x01	SPARKER SHIELD PLATE	1
92		CB9293-2-P	CARTON BOX RB-92/93 (PRINT) EXPORT	1
93		RB90-029-2	STYROFOAM SET RB-93 SERIES	1
94		PKB161-901-2	PLASTIC COVER	1

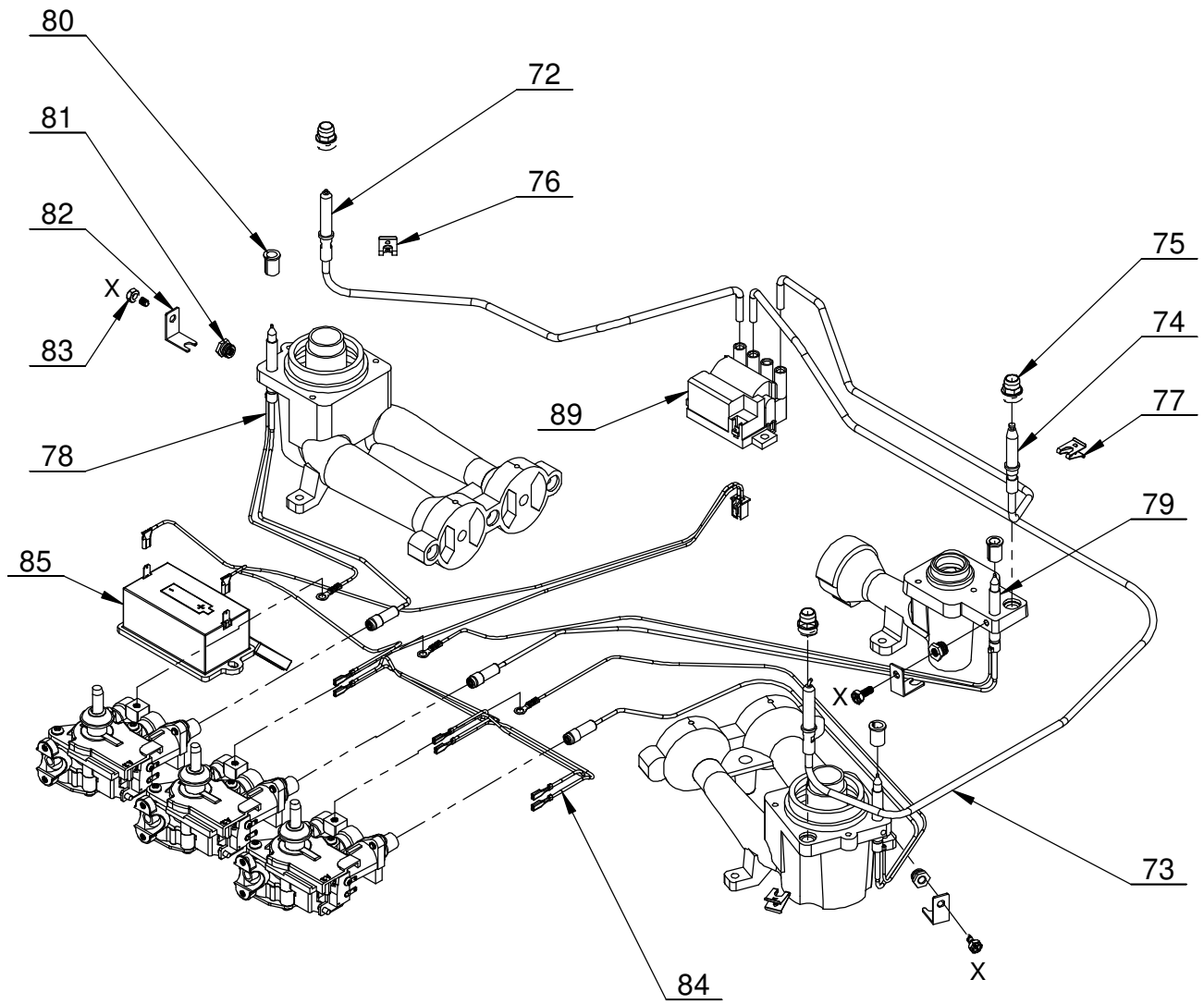
RB-93UG (LPG)
(SINGAPORE)



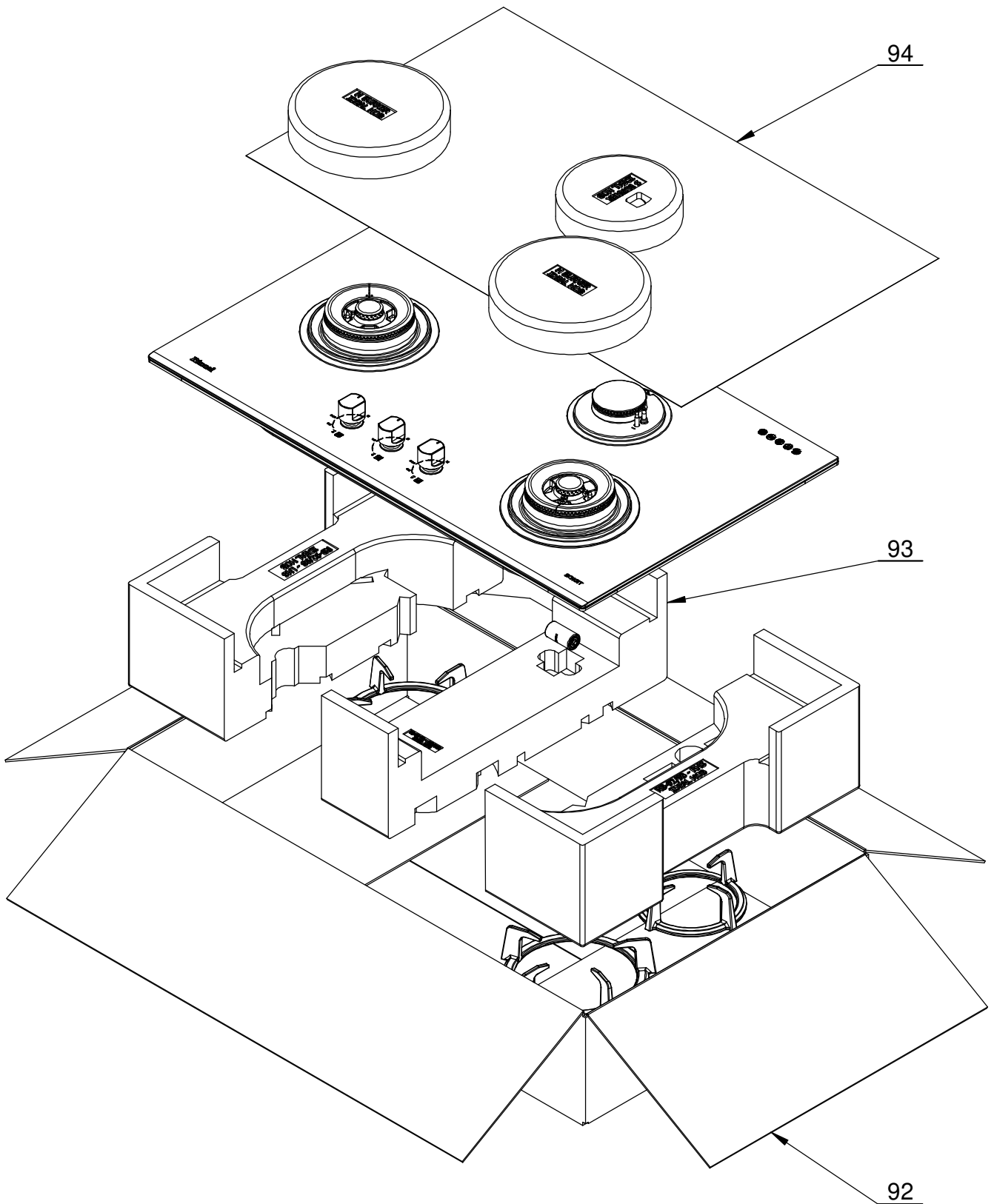
RB-93UG (LPG)
(SINGAPORE)



RB-93UG (LPG)
(SINGAPORE)



RB-93UG (LPG)
(SINGAPORE)



EXPLODED VIEW SPECIFICATION

PT. RINNAI INDONESIA

MODEL	:	RB-93UG (NG)
CUSTOMER	:	EXPORT / SINGAPORE
DATE	:	16-Feb-17

APPROVED	CHECKED	CHECKED	MAKE BY

RB-93UG (NG) => EXPORT / SINGAPORE

NO	PARTS NO	PARTS NAME	QT'Y
1	RB90-003	GLASS TOP (PRINT) BLACK (RB-93UG)	1
2	RB3G-225-380-2	SEAL PACKING (FOR GLASS TOP)	2
3	RB3G-225-740-2	SEAL PACKING (FOR GLASS TOP)	1
4	RB70-043	SEAL PACKING CORNER	4
5	HZQ288B1-05	BURNER COVER PACKING H	2
6	HZQ288B1-07	BURNER COVER PACKING S	1
7	HZQ288B1-04	BURNER COVER (SUPPORT H)	2
8	HZQ288B1-08	BURNER COVER (SUPPORT S)	1
9	HZQ288B1-03A	BURNER COVER (H/LHS)	1
10	HZQ288B1-03C	BURNER COVER (H/FRONT RHS)	1
11	HZQ288B1-06A	BURNER COVER (S/BACK RHS)	1
12	V642-00-0	O RING PUSHING PLATE	9
13	* CP-21676-0406TK	SCREW (SUS304 M4x6x0,7)	9
14	HZQ288A1-03	PAN SUPPORT H	2
15	HZQ288A1-04	PAN SUPPORT S	1
16	HZQ288B1-09	KNOB PACKING (GLASS)	3
17	HZQ288A1-14-00A	KNOB ASSY (BAKELITE)	3
18	HZQ288B1-02	CASING (RB 92/93 GLASS)	1
19	ZAA0530SZ	SCREW CASING (M5x30)	4
20	RB70-044-1000	SEAL PACKING (FOR CASING UPPER & LOWER)	5
21	RH402583	BLIND SEAL (GREY) Ø11	27
22	RB-336-60	BLIND SEAL (GREY) L = 60	1
23	RB-336-120	BLIND SEAL (GREY) L = 120	1
24	RB3G-272	CASING LOWER PACKING	7
25	HE29-05A	WIRE FIXER	4
26	HZQ288A1-09	TOP PLATE (SUPPORT)	1
27	^ ZEAB 0406 SZ	SCREW (TS-B M4x6)	6
28	RB3G-225-100-4	SEAL PACKING (FOR TOP PLATE SUPPORT)	1
29	HZQ288A1-07	VENTURY SUPPORT (H)	2
30	HZQ288A1-06	VENTURY SUPPORT (S)	1
31	HZQ288A1-08	GAS VALVE FIXING PLATE (SUPPORT)	1
32	90302155	POP RIVET	14
33	HZQ288A1-05-00	MANIFOLD PIPE ASSY (RB-93/PAINT)	1
34	AU19-113	HOSE END PACKING	1
35	HE21-05	HOSE END SET	1
36	HE21-06	HOSE END SET (NUT)	1
37	RIT-0045x01	MANIFOLD CAP	1
38	O ZIAD 0408 SZ	SCREW (M4x8)	4
39	C114K-4-5	SV GAS VALVE SINGLE ASSY (NG)	1

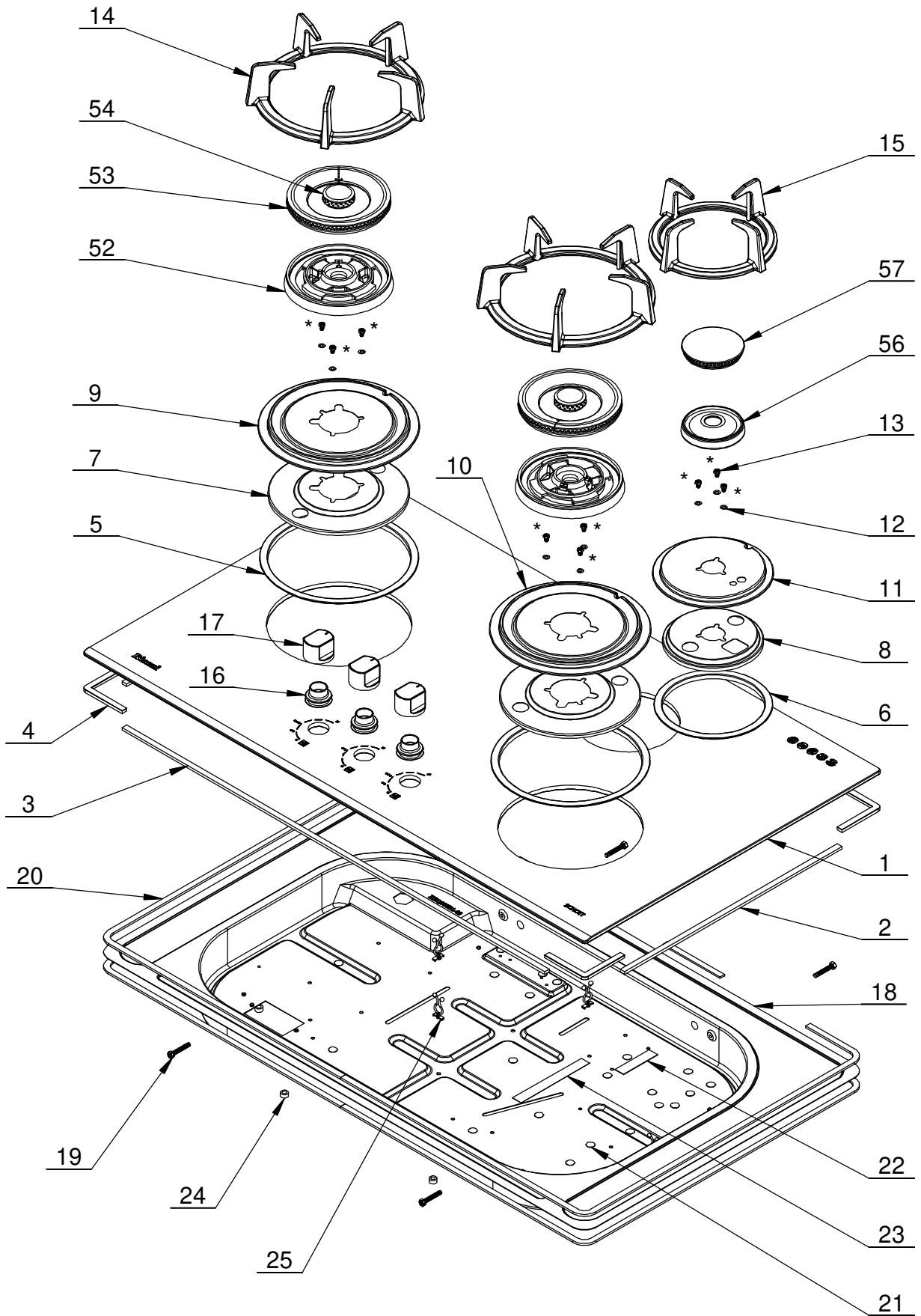
RB-93UG (NG) => EXPORT / SINGAPORE

NO	PARTS NO	PARTS NAME	QT'Y
40	C114K-3-6	SV GAS VALVE DOUBLE ASSY (NG)	2
41	RB2EH-238	GAS VALVE BRACKET	3
42	% ZHAA 0410 SZ	SCREW (M4x10 SW)	6
43	HZQ288A1-17	BURNER CONN TUBE (LEFT/ MAIN ASSY RB-93U)	1
44	HZQ288A1-18	BURNER CONN TUBE (LEFT/ SIMMER ASSY RB-93U)	1
45	HZQ288A1-19	BURNER CONN TUBE (RIGHT/ MAIN ASSY RB-93U)	1
46	HZQ288A1-20	BURNER CONN TUBE (RIGHT/ SIMMER ASSY RB-93U)	1
47	HZQ288A1-21	BURNER CONN TUBE (MIDDLE ASSY RB-93U)	1
48	BG4-85x01	STOPPER RING	5
49	M10B-1-8	O-RING	5
50	RB2EH-230	CONN TUBE BRACKET (HS)	3
51	@ ZBA 0408 SZ	SCREW (M4x8 FT)	3
52	HS088A2.0(Y.T)-A2	H BURNER BODY ASSY (LPG)	2
53	HS088A3-1(Y.T)	H BURNER HEAD (LPG)	2
54	HS088A4-1(Y.T)	SIMMER BURNER HEAD (H/LPG)	2
55	HS002A1-1-04-Y1	VENTURY BURNER (H)	2
56	HS059A2.0(Y,T)-A2-C1	S BURNER BODY ASSY (LPG)	1
57	HS059A3-1(Y.T)-A	S BURNER HEAD (LPG)	1
58	HS059A1-1-04-Y1	VENTURY BURNER (S)	1
59	# CP-21591-3	SCREW (SWCH16A M4x12)	9
60	φ ZBA 0410 SZ	SCREW (M4x10 FT)	2
61	HZQ015B0-05A	DAMPER FIXER FOR H BURNER (GLASS)	2
62	HE12-01F	DAMPER ASSY (FOR H BURNER)	2
63	HE12-01G	DAMPER ASSY (SIMMER FOR H BURNER)	2
64	HE12-15A	DAMPER ASSY (FIXER FOR S/ES BURNER)	1
65	HZQ015B0-08B	DAMPER ASSY (S/ES BURNER)	1
66	Ω FH0406MS	SCREW (COUNTERSUNK M4x6)	8
67	HE13-02A	DAMPER ASSY (SPRING)	5
68	HE14-10.T145	MAIN NOZZLE (H BURNER DIA. 1.45/NG)	2
69	HE14-03B.T075	MAIN NOZZLE (H SIMMER DIA. 0.75/NG)	2
70	HE14-03A.T100	MAIN NOZZLE (S BURNER DIA. 1.00/NG)	1
71	HZQ060C1-08	BURNER COVER	2
72	\$ V749-00-0	HEX SCREW (M4x6)	4
73	HZQ288A1-11-450A3	ELECTRODE ASSY FOR H BURNER (L=450)	1
74	HZQ288A1-11-700A3	ELECTRODE ASSY FOR H/ M BURNER (L=700)	1
75	HZQ288A1-12-350A3	ELECTRODE ASSY FOR S/ES BURNER (L=350)	1
76	HZQ253A1-16	ELECTRODE (BRASS SLEEVE)	3
77	HE28-02B	ELECTRODE (FIXER B)	2
78	HE28-02A	ELECTRODE (FIXER A)	1
79	C10A-84S-6X02	THERMOCOUPLE ASSY (L=350)	2
80	SC10A-84S-2X02	THERMOCOUPLE ASSY (L=450)	1
81	HZQ253A1-17	THERMOCOUPLE BRACKET (BRASS SLEEVE)	3
82	HZQ288A1-15	THERMOCOUPLE BRACKET (SCREW BRASS SLEEVE)	3
83	RB70-041	TC BRACKET	3
84	X CP-21676-0410TK	SCREW (SUS304 M4x10x0,7)	3
85	RB90-024	MAIN HARNESS RB-73/93	1

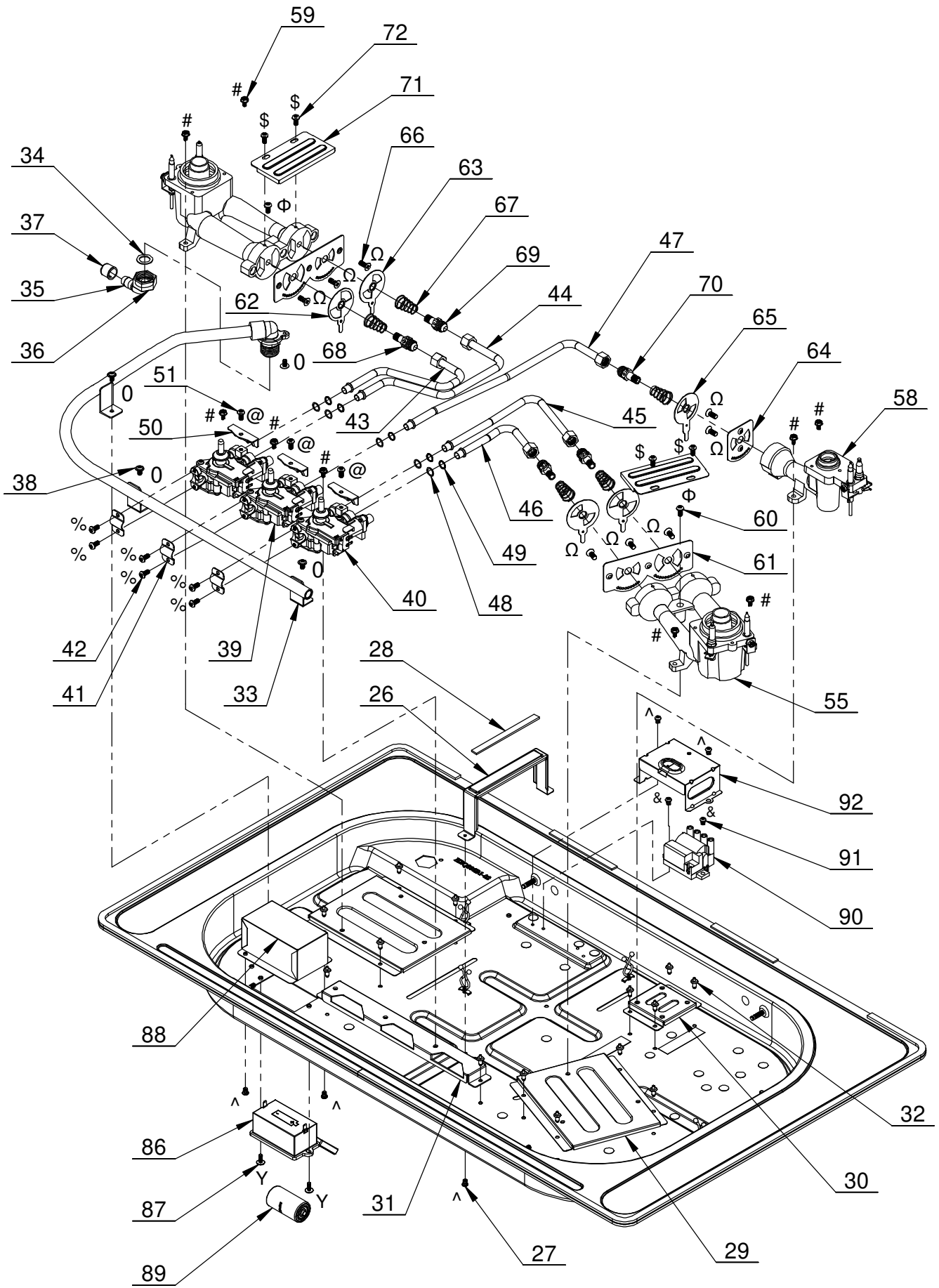
RB-93UG (NG) => EXPORT / SINGAPORE

NO	PARTS NO	PARTS NAME	QT'Y
86	HE19-02A	BATTERY BOX	1
87	Y 9228474010	SCREW (M4x10 RH)	2
88	HZQ253A1-09	BATTERY BOX COVER	1
89	CP-90003-2X01	BATTERY	1
90	EI-194	SPARKER	1
91	& CP-80452	SCREW (M4x10)	2
92	RB4E-191x01	SPARKER SHIELD PLATE	1
93	CB9293-2-P	CARTON BOX RB-92/93 (PRINT) EXPORT	1
94	RB90-029-2	STYROFOAM SET RB-93 SERIES	1
95	PKB161-901-2	PLASTIC COVER	1

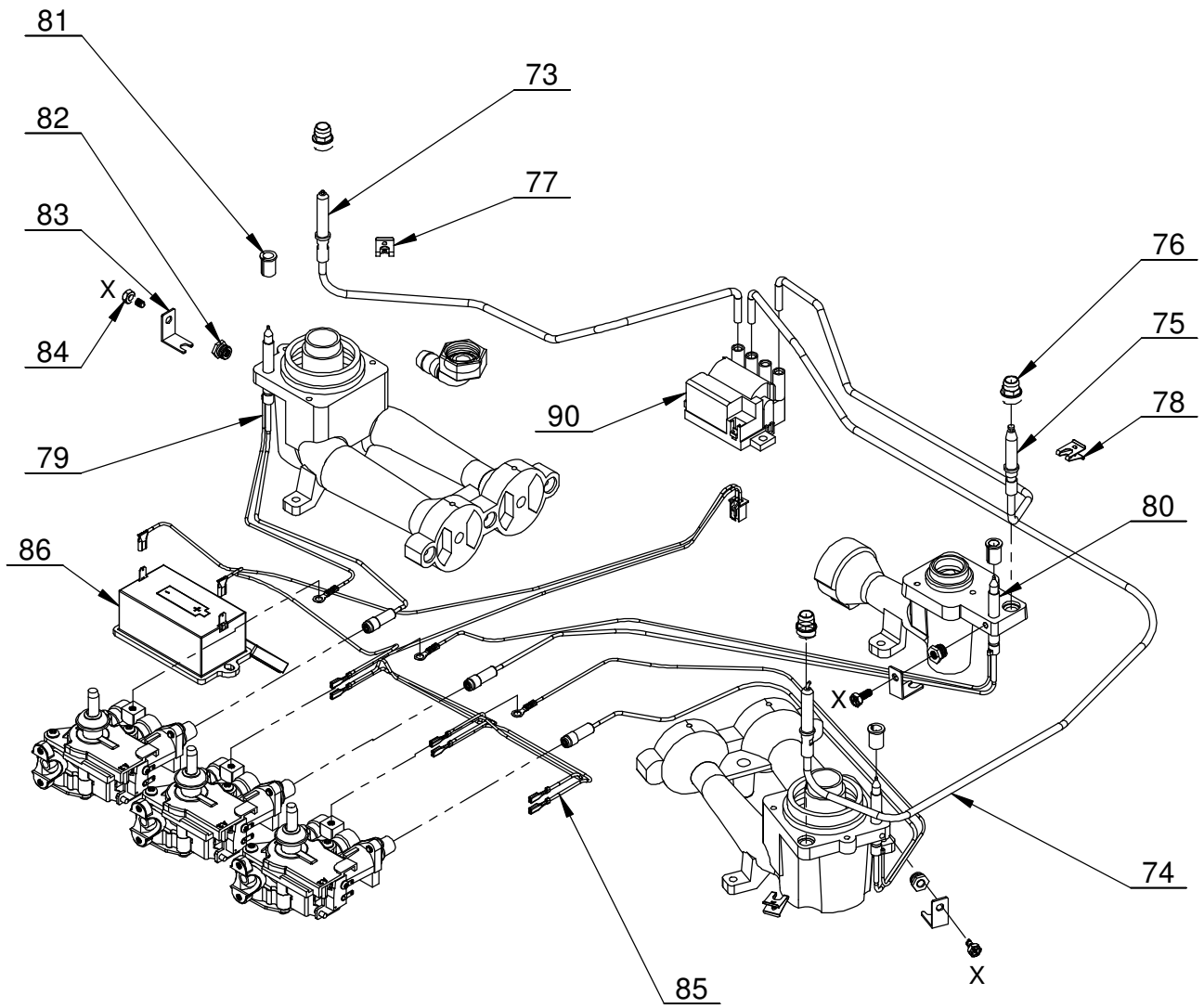
RB-93UG (NG)
(SINGAPORE)



RB-93UG (NG)
(SINGAPORE)



RB-93UG (NG)
(SINGAPORE)



RB-93UG (NG)
(SINGAPORE)

