


EXPLODED VIEW SPECIFICATION

PT. RINNAI INDONESIA

MODEL	: RB-3SS-C (S) LPG/NG
CUSTOMER	: MALAYSIA
DATE	: 24-Jun-13
REMARKS	: @ : NEW PARTS/MODIFY
	: # : SPECIAL PARTS

APPROVED	CHECKED	CHECKED	MAKE BY
			 (SUWENDA)

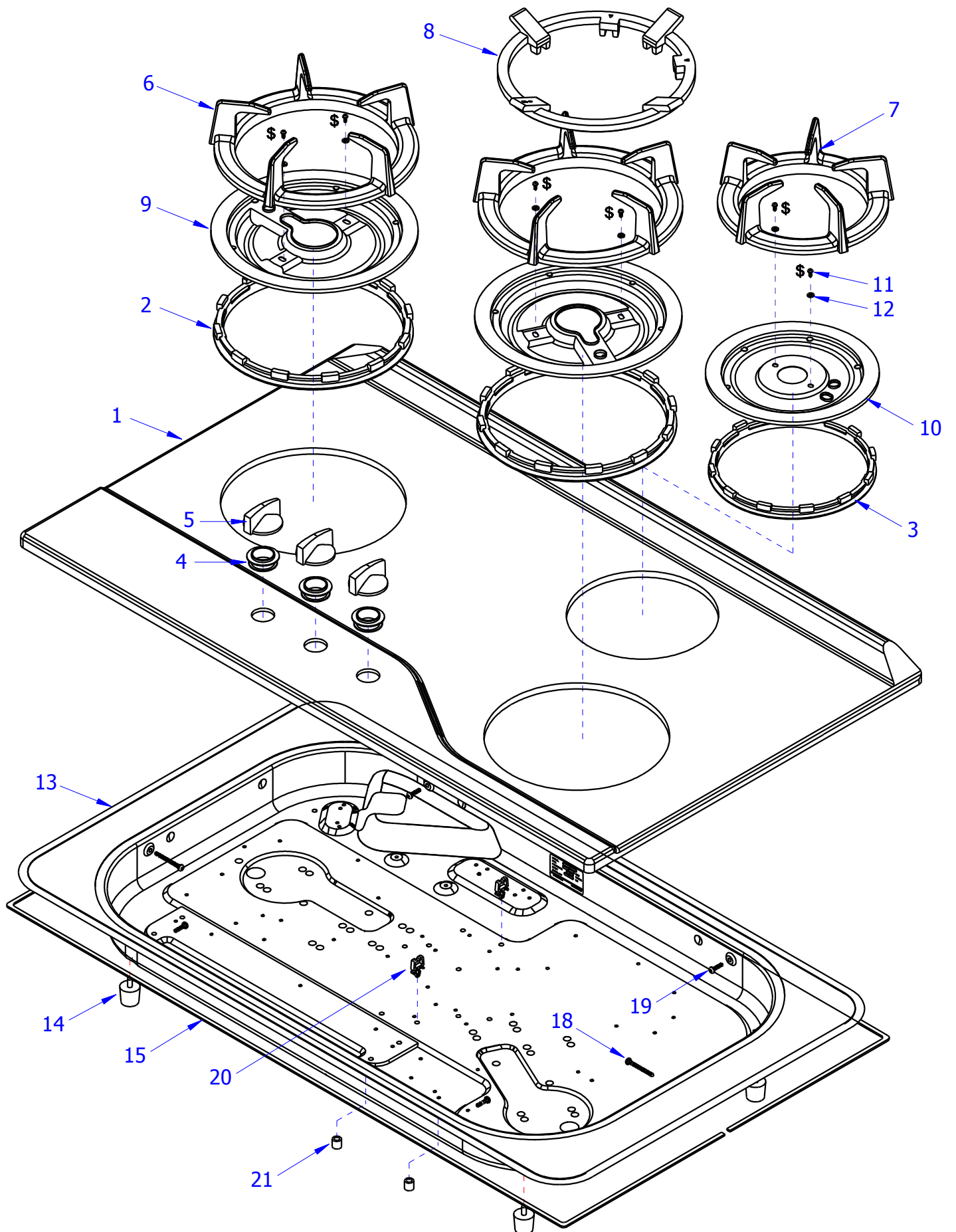
RB-3SS-C (S) LPG/NG => MALAYSIA

NO	PARTS NO	PARTS NAME	QTY	
			LPG	NG
1	RB3SS-120	TOP PLATE (PRINT)	(1)	(1)
2	RB3GH-123x01	BURNER COVER PACKING H	2	2
3	RB3SS-112	BURNER COVER PACKING M	1	1
4	RJB72N-130	KNOB PACKING	3	3
5	RB3RHS-156-1SL	KNOB ASSY (SILVER)	(3)	(3)
6	RB3SS-201A	PAN SUPPORT H ASSY RB2GH/3SS (CAST IRON)	2	2
7	RB3SS-202A	PAN SUPPORT M ASSY RB3SS (CAST IRON)	1	1
8	RB712-023	WOK ADAPTOR (CAST IRON ENAMEL)	1	1
9	RB3GH-117-E	BURNER COVER (ENAMEL) RB2GH	(2)	(2)
10	RB3SS-110-2x01-E	BURNER COVER M (ENAMEL)	(1)	(1)
11	CP-21676-0410TK	SCREW	6	6
12	V642-00-0	ORING PUSHING PLATE	6	6
13	RB3SS-122x01	CASING (PAINT)	1	1
14	RI-602-155	RUBBER LEG ASSY	(4)	(4)
15	RB3G-225-1300-2	SEAL PACKING	2	2
16	RB3G-225-410-5	SEAL PACKING L. 410	2	2
17	RB3G-225-730-5	SEAL PACKING B L. 730	1	1
18	ZAA0580SZ	SCREW CASING	2	2
19	ZAA0530SZ	SCREW CASING	6	6
20	CP-90107-26	WIRE CLIP	2	2
21	RB3G-272	CASING LOWER PACKING	5	5
22	RB-318x01	GAS VALVE SUPPORT	1	1
23	ZEAB 0406 SZ	SCREW	49	49
24	RB3SS-126-P	MANIFOLD PIPE (PAINT)	(1)	(1)
25	RB-320B	MANIFOLD SUPPORT B	2	2
26	RB2EH-229	MANIFOLD BRACKET	1	1
27	RB3RHS-185	HOSE END COVER	1	1
28	RIT 0045x01	MANIFOLD CAP	1	1
29 >>	C114K-4-1	SV GAS VALVE SINGLE ASSY (LPG)	1	
>>	C114K-4-2	SV GAS VALVE SINGLE ASSY (NG)		1
30 >>	C114K-3-1	SV GAS VALVE DOUBLE ASSY (LPG)	2	
>>	C114K-3-3	SV GAS VALVE DOUBLE ASSY (TG)		2
31	RB3SS-136	BURNER CONN TUBE M	1	1
32 >>	RB3SS-151	BURNER CONN TUBE H RHS (LPG)	1	
>>	RB3SS-137	BURNER CONN TUBE H RHS (TG)		1
33	RB3SS-138	BURNER CONN TUBE S RHS	1	1
34 >>	RB3SS-152	BURNER CONN TUBE H LHS (LPG)	1	
>>	RB3SS-139	BURNER CONN TUBE H LHS (TG)		1
35	RB3SS-140	BURNER CONN TUBE S LHS	1	1
36 >>	CP-60099-1-0.95	SUPER NOZZLE Ø 0.95 (H) LPG	2	
>>	CP-60055S-1.35x02	MAIN NOZZLE Ø 1.35 (H) NG + (S) TG		2
37 >>	CP-60055S-0.36x02	MAIN NOZZLE Ø 0.36	2	
>>	CP-60055S-0.65x02	MAIN NOZZLE Ø 0.65 (S) NG		2
38	CP-60055S-0.73x02	MAIN NOZZLE Ø 0.73 (M) LPG	1	1
39	BG4-85x01	STOPPER RING	5	5

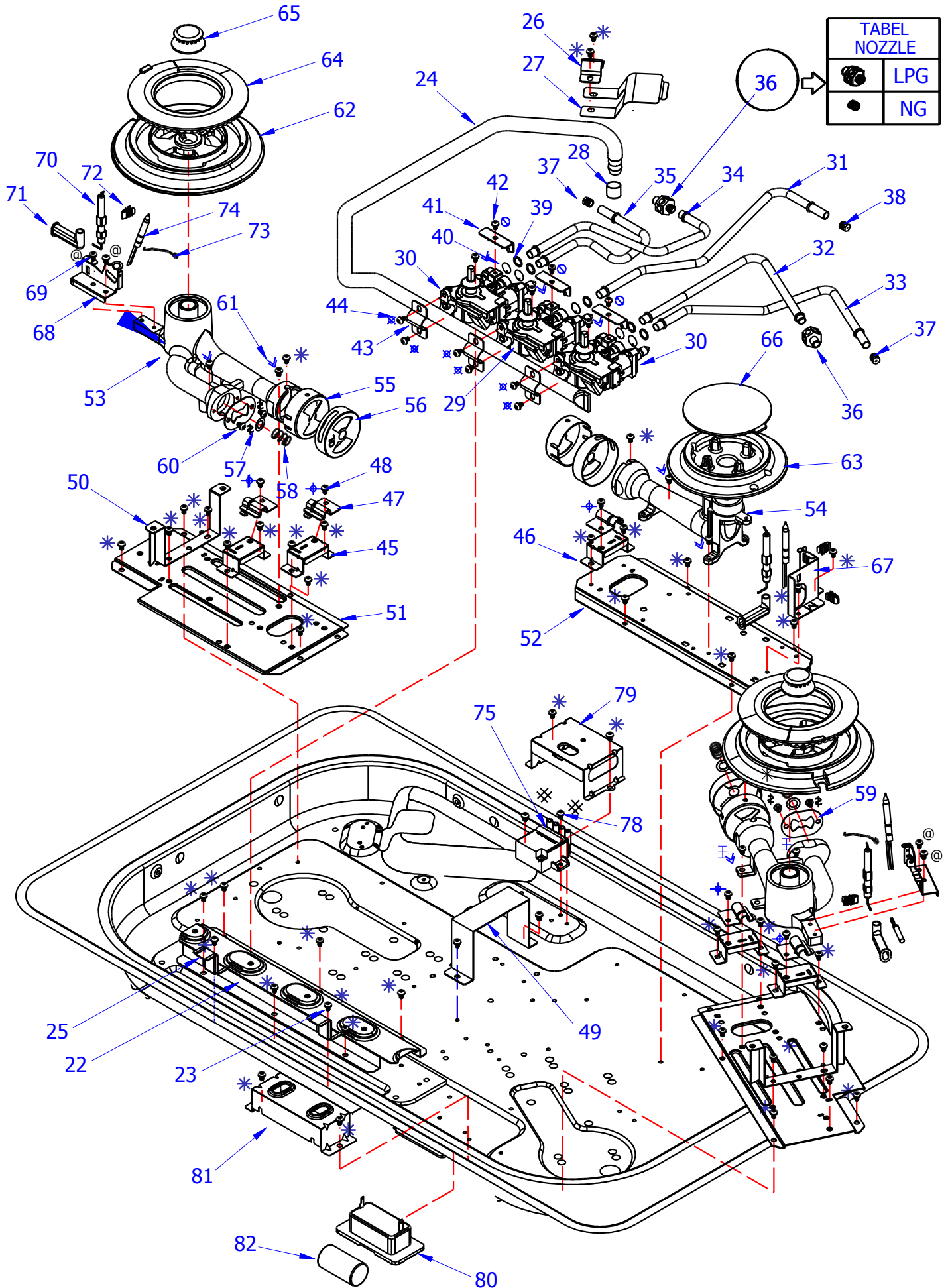
RB-3SS-C (S) LPG/NG => MALAYSIA

NO	PARTS NO	PARTS NAME	QTY	
			LPG	NG
40	M10B-1-8	O RING	5	5
41	RB2EH-230	CONN TUBE BRACKET (HS)	3	3
42	ZBA 0408 SZ	SCREW	3	3
43	RB2EH-238	GAS VALVE BRACKET	3	3
44	ZHAA 0410 SZ	SCREW	6	6
45	RB2EH-237	BURNER CONN TUBE SUPPORT	4	4
46	RB3-113	BURNER CONN TUBE SUPPORT	1	1
47	RB2B-130	CONN TUBE PUSHING PLATE	5	5
48	CP-21580	SCREW	5	5
49	RB3SS-141	TOP PLATE SUPPORT	1	1
50	RB3GH-119x02	BURNER COVER FIXING PLATE	2	2
51	RB3SS-28	H BURNER VENTURY SUPPORT	2	2
52	RB3J-157	M BURNER VENTURY SUPPORT	1	1
53	RB-344	VENTURY BURNER (PLATING)	2	2
54	RB3G-314x02	VENTURY BURNER M	1	1
55	CP-21659	REGULATOR (H)	3	3
56	CP-21693	LPG DAMPER	3	3
57	CP-20532-17.5	WASHER (LPG)	2	2
58	CP-20531N	SIMMER DAMPER SPRING	2	2
59	B2B103-7	REGULATOR (S)	2	2
60	ZHAA0406SZ	SCREW	4	4
61	CP-21591-3	SCREW	9	9
62	B2B103-3-2x01	H BURNER Ø 151 (BUFFING + PLATING)	2	2
63	B2B105-3-2	M BURNER (BUFFING + PLATING)	1	1
64	B2B104-1-2x04	H BURNER HEAD RDB22 (CERAMIC COAT)	(2)	(2)
65	B2B103-2-2x01	S BURNER HEAD RB-2EH (CERAMIC COAT)	(2)	(2)
66	B2B100-1-2	M BURNER HEAD (CERAMIC COAT)	(1)	(1)
67	RB3G-344	M TC BRACKET	1	1
68	B2B103-6-2	TC BRACKET	2	2
69	CP-21676-0406TK	SCREW	4	4
70	RB3G-210Gx02	ELECTRODE	3	3
71	30B-119	SPILAGE TUBE	3	3
72	CP-50419Bx01	PLUG HOLDER	4	4
73	RB4E-210-2	ELECTRODE FIXING SPRING	2	2
74	SC10A-84S-2x02	THERMOCOUPLE ASSY	3	3
75	EI-194	SPARKER	1	1
76	CP-80574-7	H.V.CORD ASSY	2	2
77	CP-80574-12	H.V.CORD ASSY	1	1
78	CP-80452	SCREW	2	2
79	RB4E-191x01	SPARKER SHIELD PLATE	1	1
80	CP-90382x02	BATTERY BOX ASSY	1	1
81	RB2EH-236-2x01	BATTERY COVER	1	1
82	CP-90101-2	BATTERY	1	1
83	RB3SS-130	MAIN HARNESS ASSY	1	1
84	P201W48-3E100-16-P	CARTON BOX RB 3SS-C (PRINT)	1	1
85	RB3SS-29	LAYER H BURNER HEAD RB-3SS	2	2
86	RB3SS-30	LAYER M BURNER HEAD RB-3SS	1	1
87	RB3SS-23	STYROFOAM SET RB-3SS (S) / (GB)	(1)	(1)
88	PKB161-901	PLASTIC COVER	1	1

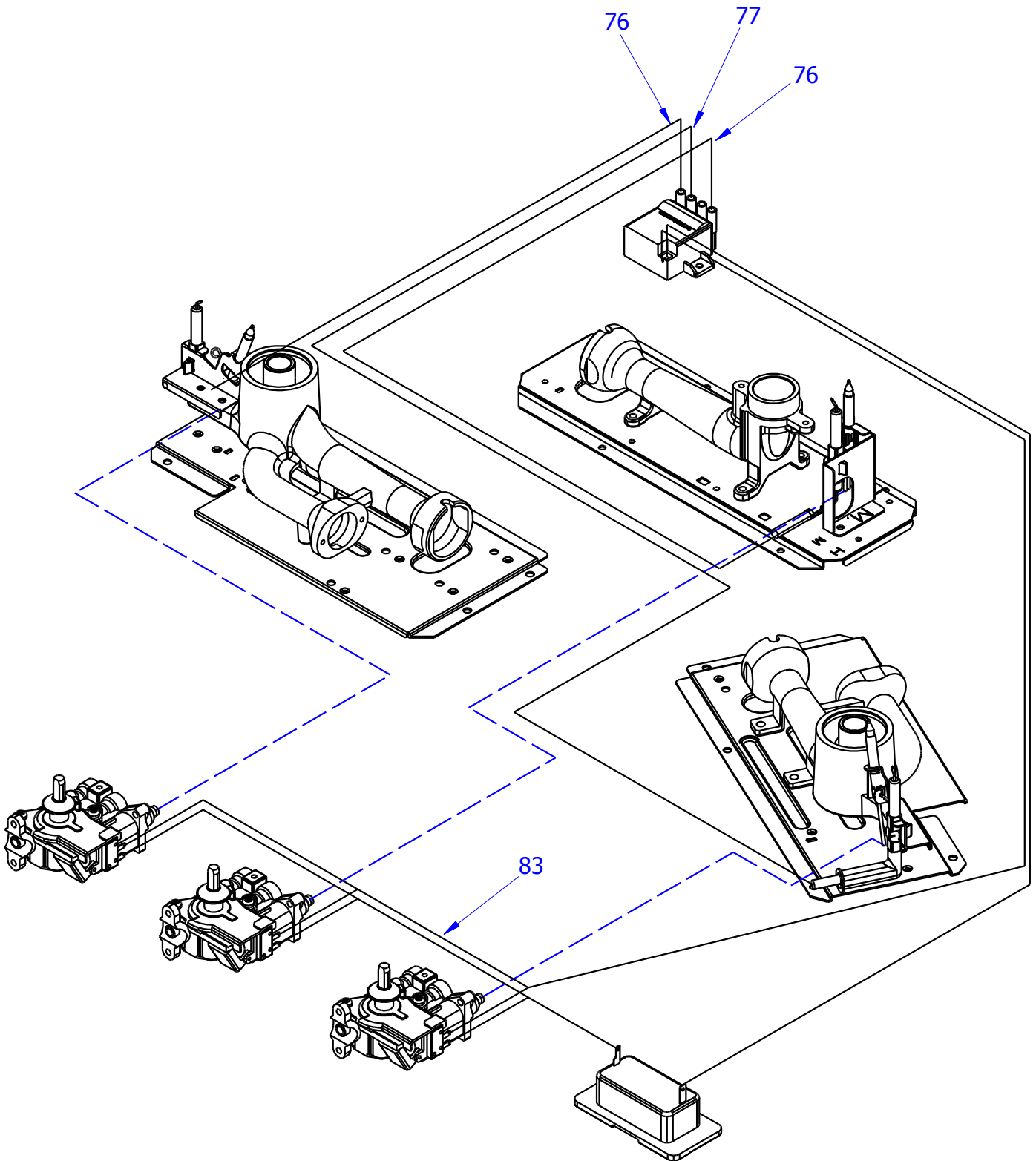
RB-3SC (SUS) LPG/NG (GEN)



RB-3SC (SUS) LPG/NG (GEN)



RB-3SC (SUS) LPG/NG (GEN)



RB-3SC (SUS) LPG/NG (GEN)

