

EXPLODED VIEW SPECIFICATION

PT. RINNAI INDONESIA

MODEL	RB-3Si-C(S) (LPG/ NG)
CUSTOMER	RINNAI MALAYSIA
DATE	18-Jan-22
REMARKS	

APPROVED	CHECKED	CHECKED	MADE BY

RB-3Si-C(S) (LPG/ NG) RINNAI MALAYSIA

NO.	PARTS NO.	PARTS NAME	QTY.	
			LPG	NG
1	RB3SS-120x01	TOP PLATE (PRINT)	1	1
2	RB3SS-0201-SR	PACKING COVER (H)	2	2
3	RB3SS-0202-SR	PACKING COVER (M)	1	1
4	RB3SS-0301-SR	BUTTON PACKING (SUS)	3	3
5	RB3RHS-156-1SL	KNOB ASSY (SILVER)	3	3
6	RB3SS-203	PAN SUPPORT H RB3Si	2	2
7	RB3SS-204	PAN SUPPORT M RB3Si	1	1
8	RB2GNT-102-E	H BURNER COVER (ENAMEL)	2	2
9	RB3SS-110-1-E	M BURNER COVER (ENAMEL)	1	1
10	CP-21676-0410TK	SCREW	4	4
11	CP-21580	SCREW	4	4
12	RB3SS-122x01	CASING (PAINT)	1	1
13	RB3G-225-1300-2	SEAL PACKING	2	2
14	RB3G-225-410-5	SEAL PACKING L. 410	-	-
15	RB3G-225-730-5	SEAL PACKING B L. 730	-	-
16	ZAA0580SZ	SCREW CASING	2	2
17	ZAA0530SZ	SCREW CASING	6	6
18	CP-90107-26	WIRE CLIP	2	2
19	RB3G-272	CASING LOWER PACKING	5	5
20	RJB72N-105-011	DRIP PAN H	2	2
21	N730J2-152-011	DRIP PAN S	1	1
22	RB3SS-133	TOP PLATE PUSHING PLATE	2	2
23	RB3SS-134	TOP PLATE FIXING BRACKET	4	4
24	RB3SS-123	HEAT SHIELD PLATE	3	3
25	ZEAB0406SZ	SCREW	42	42
26	C114K-4-5	SV GAS VALVE SINGLE ASSY (NG)	3	3
27	CP-21591-3	SCREW	9	9
28	RB3SS-127	BURNER CONN TUBE S	1	1
29 >>	RB3SS-142	BURNER CONN TUBE RHS (LPG)	1	
>>	RB3SS-128	BURNER CONN TUBE RHS (NG/ TG)		1
30 >>	RB3SS-143	BURNER CONN TUBE LHS (LPG)	1	
>>	RB3SS-129	BURNER CONN TUBE LHS (NG/ TG)		1

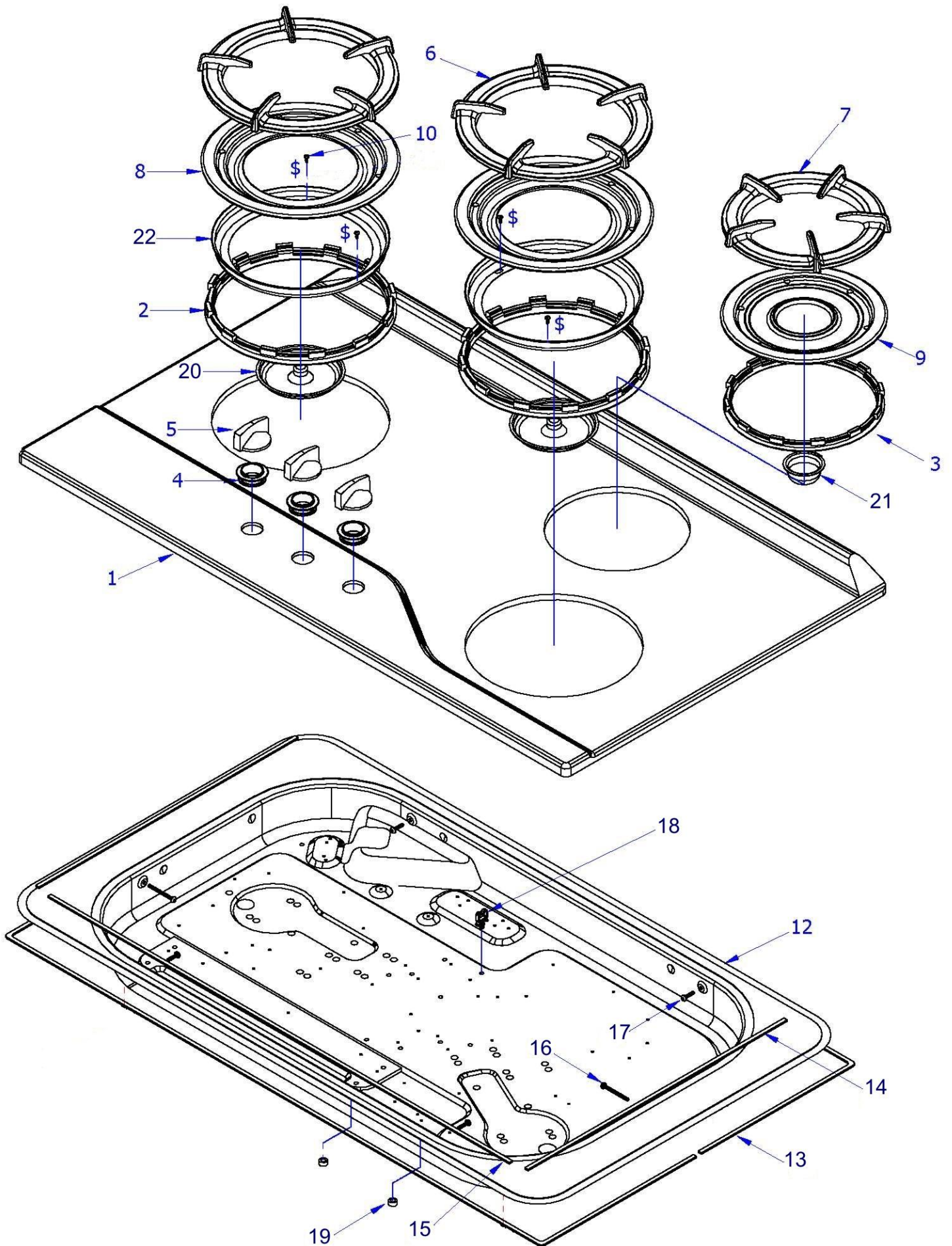
RB-3Si-C(S) (LPG/ NG) RINNAI MALAYSIA

NO.	PARTS NO.	PARTS NAME	QTY.	
			LPG	NG
31 >>	CP-60099-1-0.90	SUPER NOZZLE Ø 0.90 (H) LPG	2	
>>	CP-60055S-1.35x02	MAIN NOZZLE 1.35 (H) NG		2
32 >>	CP-60055S-0.60x02	MAIN NOZZLE Ø 0.60 (S) LPG	1	
>>	CP-60055S-0.83x02	MAIN NOZZLE Ø 0.83 (S) NG		1
33	BG4-85x01	STOPPER RING	3	3
34	M10B-1-8	O RING	3	3
35	RB2EH-230	CONN TUBE BRACKET (HS)	3	3
36	ZBA0408SZ	SCREW	3	3
37	RB3SS-126-P	MANIFOLD PIPE (PAINT)	1	1
38	RB-320B	MANIFOLD SUPPORT B	2	2
39	RB2EH-229	MANIFOLD BRACKET	1	1
40	RB3RHS-185	HOSE END COVER	1	1
41	RB2EH-238	GAS VALVE BRACKET	3	3
42	ZHAA0410SZ	SCREW	6	6
43	RB-318x01	GAS VALVE SUPPORT	1	1
44	RIT-0045x01	MANIFOLD CAP	1	1
45	RB3SS-124	GAS VALVE SHIELD PLATE	1	1
46	RJB72N-108	BURNER BRACKET	2	2
47	RJB72N-119	ELECTRODE BRACKET	2	2
48	RB3SS-135	S BURNER FIXING PLATE A (PROCESS)	1	1
49	RJB33N-110	S BURNER FIXING PLATE B	1	1
50	RB2EH-237	BURNER CONN TUBE SUPPORT	2	2
51	RJB33N-119	S BURNER CONN TUBE SUPPORT	1	1
52	RB2B-130	CONN TUBE PUSHING PLATE	3	3
53	RB3SS-141	TOP PLATE SUPPORT	1	1
54	B2B107-1-2	INNER BURNER ASSY	2	2
55	B2B107-6-011	UPPER RECTIFIER PANEL (ENAMEL)	2	2
56	CP-21720S	DAMPER N ASSY	2	2
57	C10A-84S-2x02	THERMOCOUPLE ASSY	3	3
58	B2A7-5	SPRING	3	3
59	RJB72N-118	ELECTRODE	2	2
60	RB3SI-0102-SR	SHIELD TUBE	2	2
61	CP-50419Bx02	PLUG HOLDER	2	2
62	B2B121-1-2	S INNER BURNER ASSY	1	1
63	B2B121-5-011	S UPPER RECTIFIER	1	1
64	CP-21694	DAMPER ASSY	1	1
65	B2B83-9	ELECTRODE	1	1
66	RB3SI-0103-SR	SHIELD TUBE	1	1
67	B2B83-10	ELECTRODE SPRING BRACKET	1	1

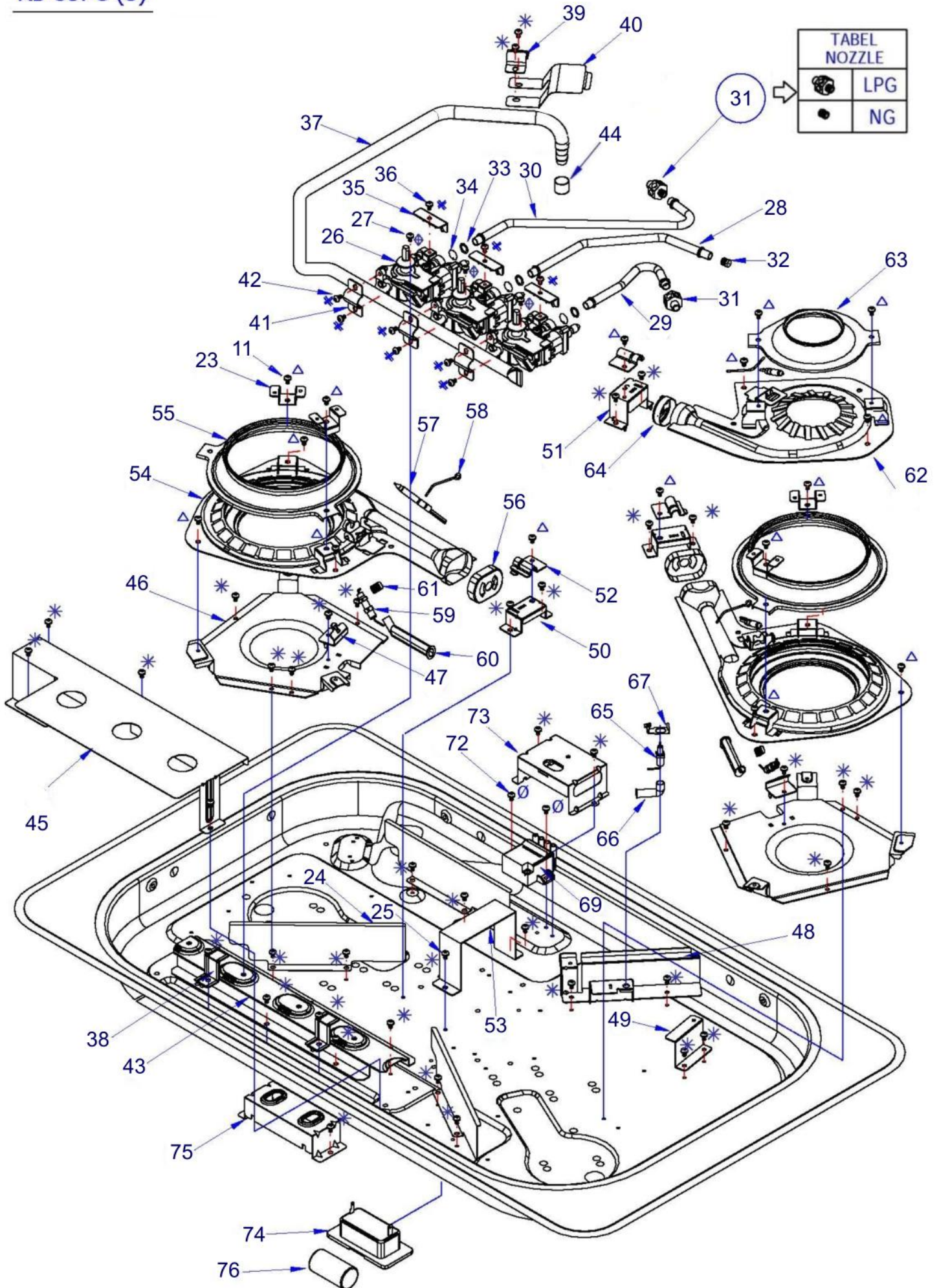
RB-3Si-C(S) (LPG/ NG) RINNAI MALAYSIA

NO.	PARTS NO.	PARTS NAME	QTY.	
			LPG	NG
68	RB3SS-130	MAIN HARNESS ASSY	1	1
69	EI-194	SPARKER	1	1
70	CP-80574-7	H.V. CORD ASSY	1	1
71	CP-80574-1	H.V. CORD ASSY	2	2
72	CP-80452	SCREW	2	2
73	RB4E-191x01	SPARKER SHIELD PLATE	1	1
74	CP-90382x02	BATTERY BOX ASSY	1	1
75	RB2EH-236-2x01	BATTERY COVER	1	1
76	CP-90101-1x02	BATTERY	1	1
77	P201W48-3E100-15-2x01-P	CARTON BOX RB 3Si (PRINT)	1	1
78	RB3SS-19-2	LAYER PAN SUPPORT RB-3Si	1	1
79	RB3SS-20	LAYER BURNER COVER RB-3SS/Si	1	1
80	RB3SS-13-3	CORRUPAD SET RB-3Si (S)	1	1
81	PKB161-901-1	PLASTIC COVER	1	1

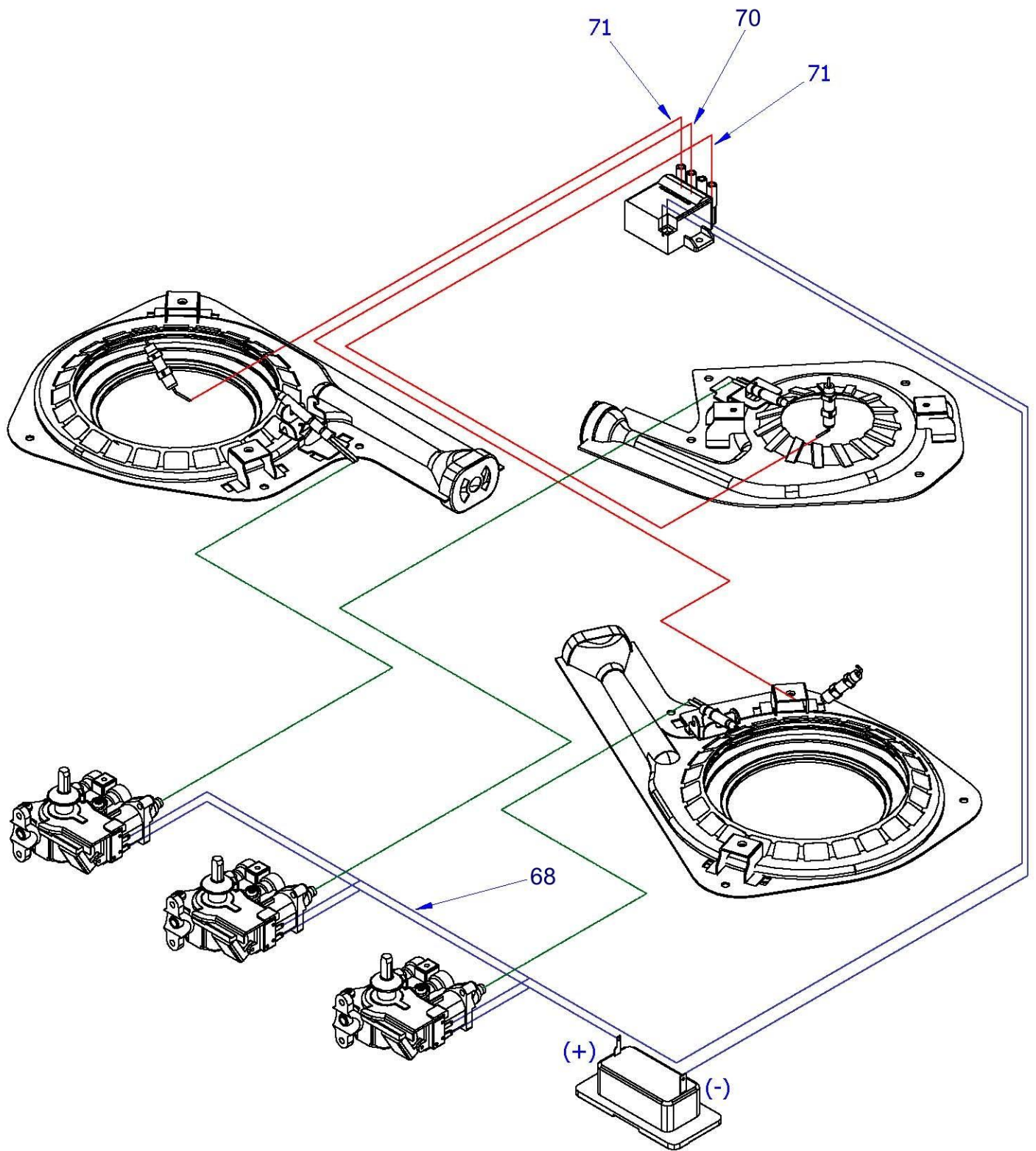
RB-3Si-C (S)



RB-3Si-C (S)



RB-3Si-C (S)



RB-3Si-C (S)

