

## User's manual

---

### GAS SOUP KETTLE

#### RSK-500

Read this manual before using the product so that any potential risk can be prevented in advance.

Keep this manual at any place where it can be easily found.

### Features and Functions

Thank you very much for choosing our product. This manual is designed to prevent physical damage or loss caused by careless use. Please read this guidebook and enjoy your time with our product.

---

Piezoelectric type of automatic ignition for convenience

Attachment of extinguishment safety device for safety

With the use of aluminum kettle, product is lightweight and cooking time is shortened.

With enamel-coated body, product is corrosion resistant and splendid exterior design.

Folding type of kettle lid for convenience

Cooking capacity(130 ~180 ) is engraved in kettle for easy use

With 360° rotation available, it is convenient to use and clean.

With Kettle leg made of stainless steel, it has excellent durability.

Ignition checking window is equipped for convenience.

---




If you only use water, kettle might be decolorized but it is no harm for you to use product.

Assemble "Kettle Lid Knob"

**It is packed inside of kettle along with user's manual. For assembling, please refer to page 10 in the user's guide before using.**

## Safety Warning

-This is designed to help you prevent any accidents caused by mishandling of product. And enable to use product more conveniently with easily understandable illustrations. Please keep in mind marks below and understand before you read user's manual

	If you ignore this mark and misuse, you can die or get severe
	If you ignore this mark and misuse, you can get severe injury
	If you ignore this mark and misuse, you can get harmed and get physical damages

■ Keep in mind marks below and understand before you read user's manual



General danger,  
warning and caution



General  
prohibition



Inflammabl



Wire must be  
grounded

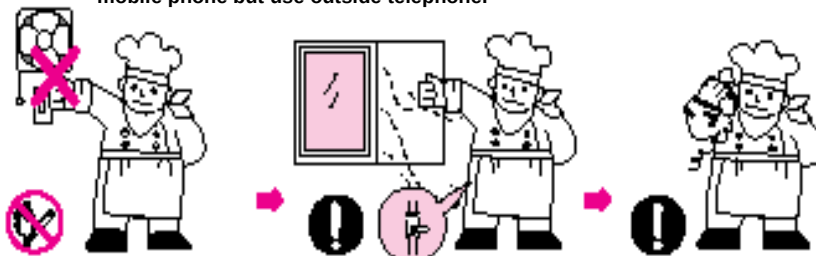


Danger

■ If gas leakage is detected...

Do not turn on the light, and do not touch switch control plate or power cord to electric appliances. Also, do not use telephone. They can cause inflammable explosion.

- Measures
- 1) Stop using immediately, and close intermediate valve
  - 2) Open the window and ventilate air
  - 3) Call for after sales service center. Do not use nearby phone or mobile phone but use outside telephone.

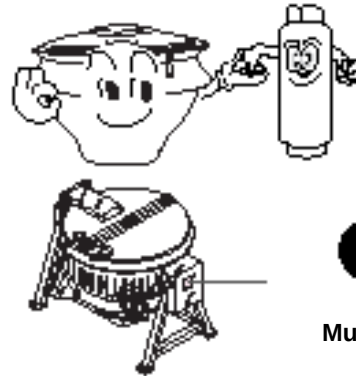


Thiol is included in supply gas, you can detect gas leakage right away in the presence of 1/ 1000 ratio of thiol in the air.(Similar to garlic, rotten egg smell)

**Warning**

**Do designated gas**

- Make sure supply gas is the same as the gas type stated in product data plate. If it isn't consistent, it could cause gas poisoning and explosion due to incomplete combustion. In addition, ignition might not take place.
- Data plate is on the right side of product.  
(if you don't know supply gas type, call for service center)



**Must do**

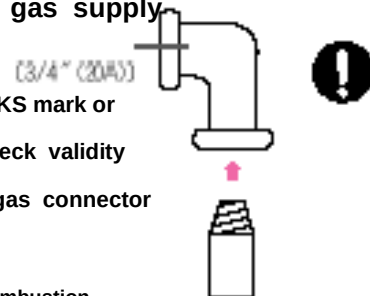
**Do not absolutely using middle-low middle pressure.**

- It is designated the low pressure. If not, there is a danger of breakdown and fire



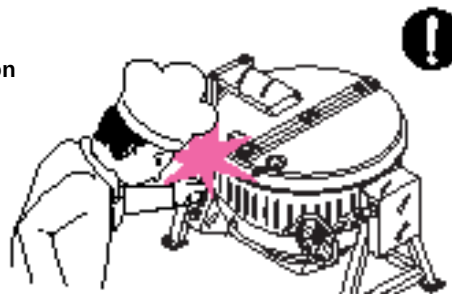
**Gas connection must be done by an authorized gas supply agency or gas pipe installer.**

- Gas related tools using for gas combustion have to have acquired KS mark or passed inspection by Korea Gas Safety Corporation. Also check validity period
- When you connect gas hose, push it to red line in gas connector and tighten using a fastener
- Do designated gas
- Do connect to the rubber hose( 9.5mm), there is a danger of incomplete combustion.



**Don't close to your face at control panel.**

- When you control panel.
- It will be burn a skin by a hot steam and explosion combustion.
- When you check the statue of fire through control panel, keep a distance 50cm over the control panel.



## Warning

Do not combustion when the kettle was empty.

- When the kettle was combustion with empty, it will cause breakdown and fire. Therefore, do not combustion when the kettle was empty.



General prohibition

Do not keep inflammables close.

- Do not use inflammable gas such as spray nearby.
- Do not keep any inflammables such as curtain, spray, gasoline and benzene around product. It could cause fire



General prohibition

Don't stop the ventilation

If you stop the ventilation hole by tower, it will cause a breakdown or fire by a incomplete combustion



General prohibition

On combustion, Check the quantity of inside materials.

- On using, inside material was evaporated. The kettle become a empty. So, it caused breakdown and fire.



Must do

Do not go away while switch is on

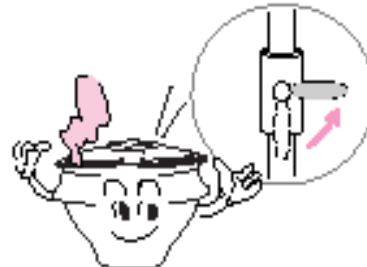
- If product is overheated, it could cause a breakdown or fire. In particular, if you leave product for a while, fire may take place.



Must do

Caution for unusual case

- When you detected the strange noisy, incomplete combustion, smell, please, stop the intermediate valve immediately



Must do

 **Warning**

Do not dismantle, repair or modify product except authorized professional .

- This could damage product safety. When you think product is in trouble, refer to user's manual or contact our service center .



General prohibition



No Touch

Do not touch product during the use of product or sometime after using it.

- Gill part and top plate of product is very hot. You could get burned



Must do



General prohibition

Consult with gas supplier or installer for gas connection and product installation.

- We are irresponsible for any accidents caused by wrong gas connection or product installation



Must do



Must do

Do not touch product during the use of product or sometime after using it.

- Gill part and top plate of product is very hot. You could get burned

Keep product out of children' reach.

- Do not allow children get closer, they could get burned.

Be careful not to get burned, right after operation or during operation.

- Kettle is very hot and filled with a high temperature of steam during operation or right after operation. You could get burned on your hands or face etc.

- Do not touch kettle when you open the lid. Keep away your face from the product as much as you can and hold "kettle lid knob" then open the lid slowly by letting inside stem outside.

 **Warning**

Do not use product in a place where materials could fall down .  
-It could damage product or cause fire

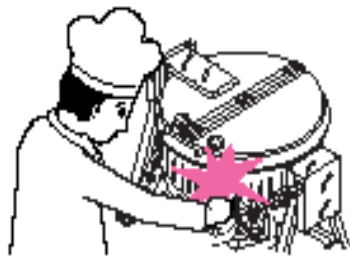
During combustion, do not rotate the kettle.

-After extinguishing a fire, rotate the kettle. If it were rotate during combustion, it could cause breakdown and fire.



**Always fixed handle, except the kettle was rotated**

- If you don't fix the handle, the kettle would rotate without notice. Therefore, handle fixed knob always was pull back fully.

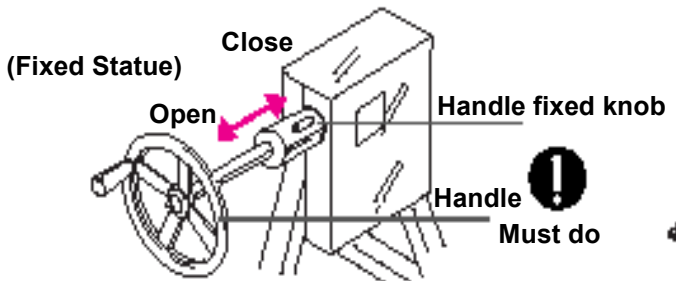


General prohibition



If you put your hand into a gear box , it will be hurt your hand. Please, keep in mind .

-Gear box, located back handle, is rolling place which connected rotary that it is a dangerous when you put into your hand,



**Check the fire and extinguish**

- In using, check the normal fire through the front panel. And after using, check the extinguish fire and close the intermediate valve. Close the intermediate valve when you go out & go sleeping



No touch

**Do installed that the ground must be flatted no obstacle.**

- Do not install on the flammable materials or rough ground. Do not installed & located unstable place just like vehicle and ship. If not, it will cause breakdown and fire by incomplete combustion .



Must do



General prohibition





**Warning**

**Do not use product in a place where materials could fall down .**

-It could damage product or cause fire



**General prohibition**



**Keep the water and soup from entering the inside products.**

- If the water is into control panel, exhaust duct, it will be problem to ignition



**Must do**

**Do not install in a windy area.**

- Don't install in a windy area. It will cause the ignition failure and damage of inside products by wind such as facing a window or a door leading to the outside.

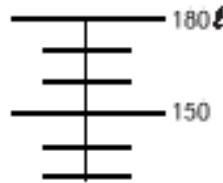


**Must do**

**Do not let broth overflowed during operation.**

-There are marks inside the kettle at a 10 interval. Its capacity varies from 130 to 180 .

- In case of broth, be careful not to be overflowed because its volume increases during operation.



**Must do**

**Caution for ignition.**

-When you ignite repeatedly, the gas that gathered inside combustion will explode it. If you not fail to ignition, get rid of exposure gas. (After 4-5 seconds)

-In rainy season and high humidity day and the products hasn't been used for a long time, the ignition has a trouble to ignite.



**Must do**

**Don't put materials on kettle.**

- Do not leave any materials in front of product while using it.



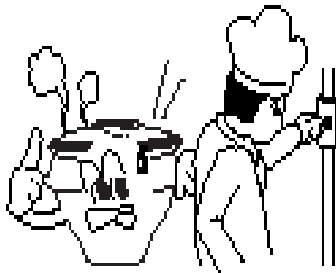
**General prohibition**



## Warning

**On using, don't extinguish for using intermediate valve.**

- There is a peril of fire by gas leakage with opening not-equipped the safety valve



General prohibition



**Do not using another usage**

- This is an only for usage that boiled the soup. If not, it will cause breakdown and fire.



General prohibition

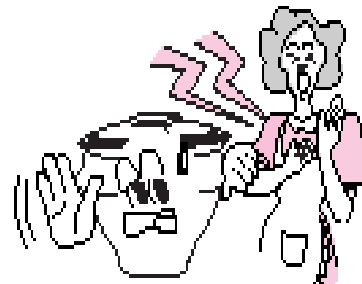


**The prevention is more important.**

- Please, confirm fasten point state of pipe connection or something. If you are suspicious of connection status, please apply the soapy water to the intermediate valve. Apply the soapy water to the intermediate valve to see if there is a gas leak



**Must do**



**Must do**

**Don't stop the ventilation**

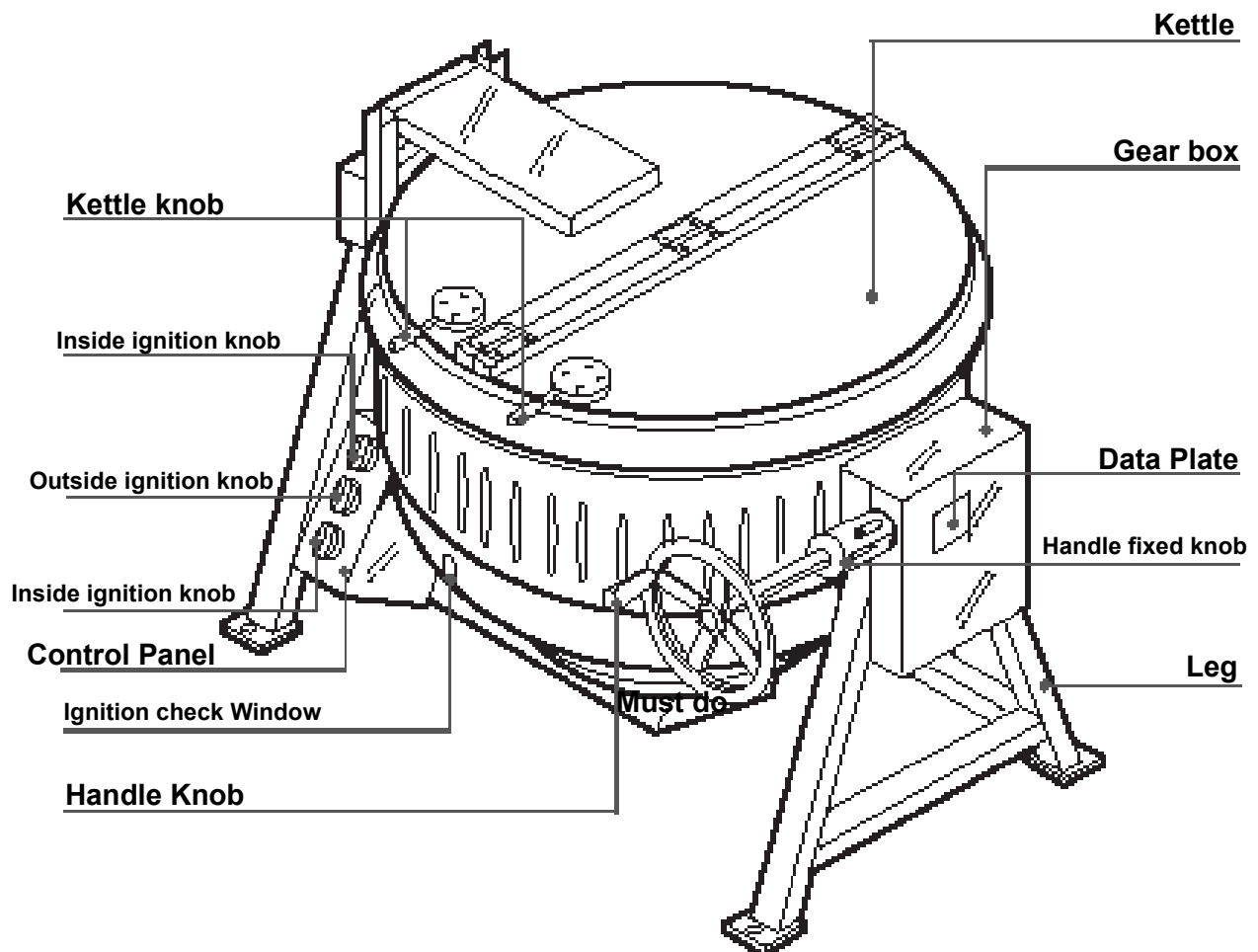
If you stop the ventilation hole by tower, it will cause a breakdown or fire by a incomplete combustion

In case of change user, read the user



**Must do**





**“Kettle knob” is package with instruction manual.  
After assemble Upper Picture, using it.**

## Installation

### Check supply gas type.

-You must use designated gas stated in data plate on product .

This product is for low pressure.

-If your supply gas is not clear and it is not consistent with stated gas type, contact the purchasing agent for consultation.



**MUST DO**



**MUST DO**

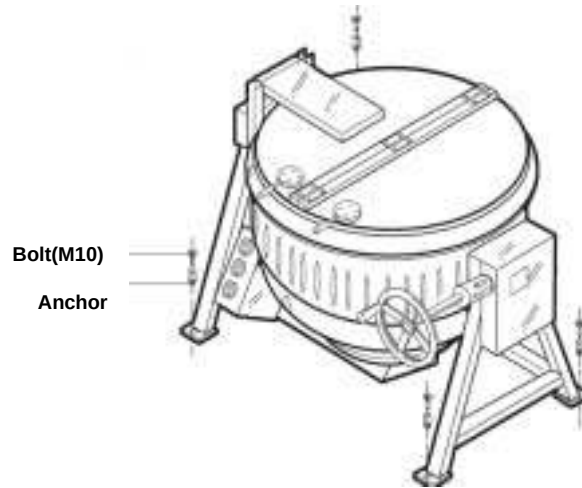
### Floor must be even and fixing is firm.

### Fix kettle leg using 4 pcs of anchor bolts(M10).

For installation, there is a hole with its radius 12 mm in each kettle leg.



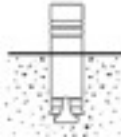
**MUST DO**



Make a hole on the floor.



Put an anchor in the hole.



Using attachment, push the anchor to the end.



Assemble the anchor in the product then fasten the bolt .

### Connection for gas pipe

-When you connect product , it has to be done by gas installation license acquired gas supply agent .

-Install intermediate valve

If gas pipe is ruptured by outside physical impact , fire could take place or product might be damaged due to leakage.



**WARNING**



**MUST DO**

Heavy pipe connection could cause abnormal combustion, explosion or fire by leakage could appear.

**If you do not fix kettle legs, product might be shaken when kettle is being rotated. That could lead food such as broth overflowed causing a burning. Pipe connection would be under a lot of pressure so that product could be damaged causing fire, or explosion by leakage.**



**WARNING**

**Page 12**

**When you install product, distance from inflammables.**

-If surrounded walls are composed of inflammables, have enough space as the followings.

Distance from sidewall to product : more than 50cm

Distance from rear wall to product : more than 60cm

Distance from the ceiling to product : more than 150cm

Also, it is a must to install noninflammables such as exhaust hood for ventilation.

-If product and wall is too close, fire could happen. Also, if you attach stainless steel plate, general plate on the wall composed of inflammables, fire could take place or wall might be damaged due to heat transmission.

-When you install the heat-resistant plate, you should have a distance more than 3cm from the heat-resistant plate to the inflammable wall.

Material	Thickness	Warning
Stainless steel plate	More than 0.3mm	More than 3cm from the inflammable wall
Steel plate	More than 0.3mm	Reinforcement is needed to prevent deformation.

The installation/production of heat-resistant plate should be implemented according to the construction of the kitchen. And Rinnai is not responsible for the cost.

**Do not attach supplements around the product after installation. It could cause fire.**

**The distance from the floor to the ceiling must be at least more than 150cm.**

In order to open kettle lid, the space must be obtained minimum 150cm.

**Remove surrounding inflammables.**

It might cause fire.

**When you install more than 2 products, keep a distance of 30cm above between products.**

This is for preventing overheating and appropriate operation of products.



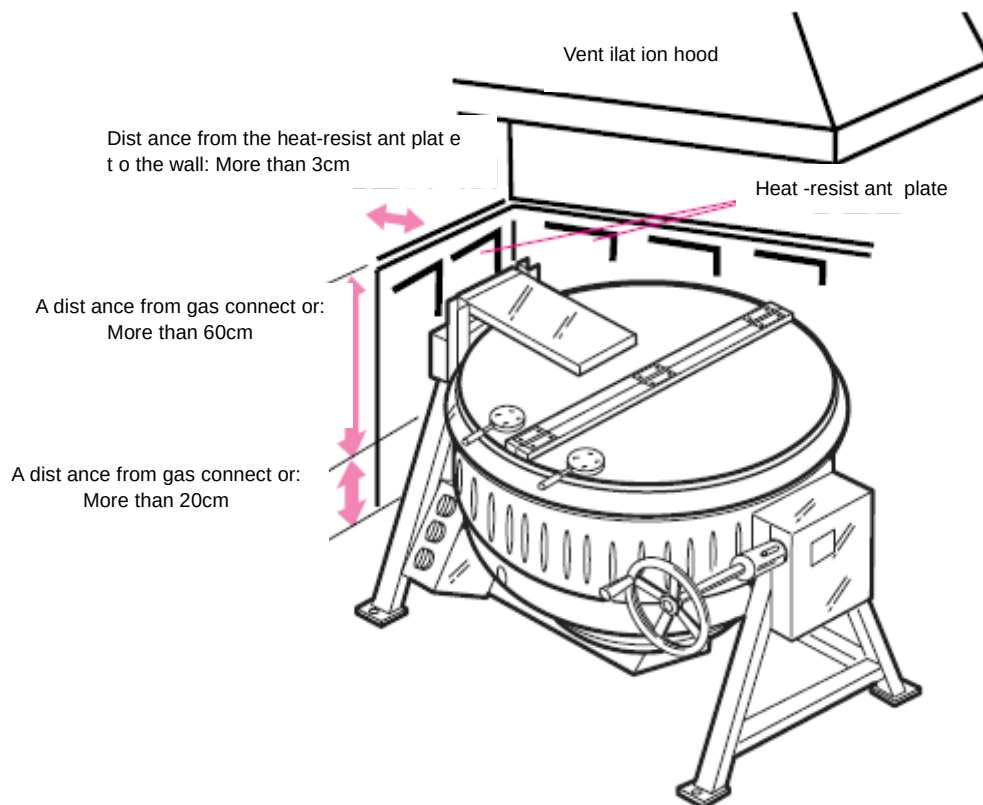
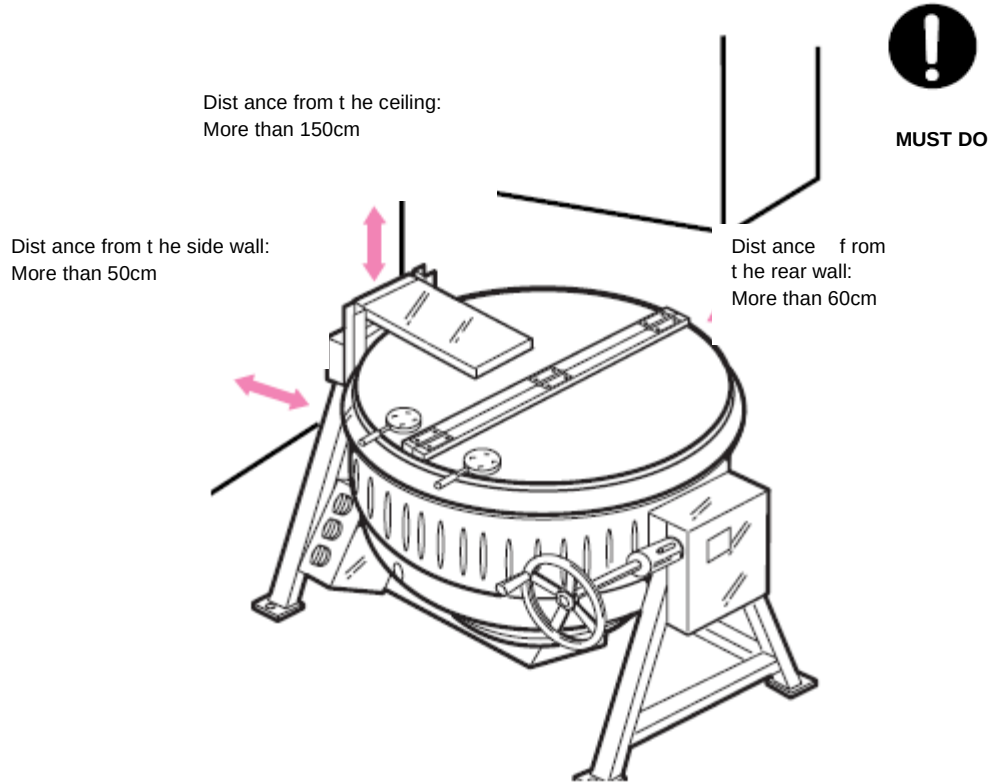
**MUST DO**



**MUST DO**



**MUST DO**



**Install ventilation equipments.**

This product generates some combustion gas, therefore ventilation equipment should be adequately installed.

**Before operation**

Check supply gas type.

Check if there are any inflammables such as papers, plastics, oil etc.

Check whether ignition knob is in the ignition position.

Keep the kettle's horizontal and fix the handle.



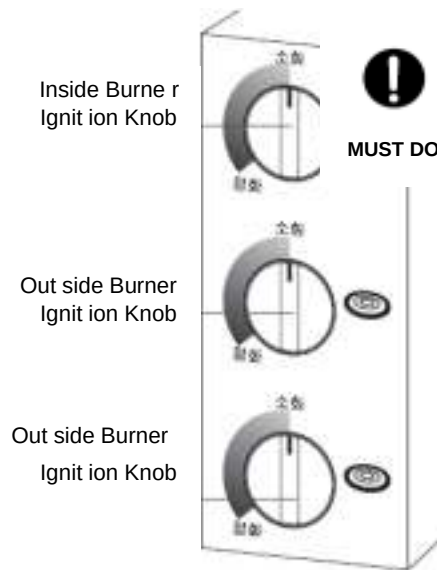
**MUST DO**

**Composition of ignition knob(Valve)**

The burner is composed of outside burner and inside burner.

Inside burner is connected to "Inside burner ignition knob(Valve)" and outside burner is connected to two "outside ignition knob(Valve)"

The heating power of "outside burner ignition knob(Valve)" is stronger than that of "inside burner ignition knob(Valve)" and the heating power of two "outside burner ignition knob(Valve)" is same.



**1. Open intermediate valve.**

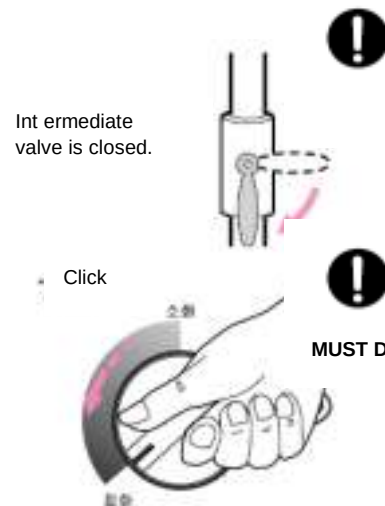
Before opening valve, check whether ignition knob is in the extinguishment position. Then open intermediate valve slowly.

**2. Ignition**

Turn ignition knob to "ignition" position slowly as pressing it until you hear a sound of "click". Then you must check flames through "ignition check window".

If you turn the ignition knob without pressing it, the knob could be broken and also if you turn it too fast, ignition might not take place appropriately.

When you ignite for the first time, due to the air in the pipe, ignition might not happen. Repeat ignition procedure during the first ignition until the air comes out completely.



### Air adjustment

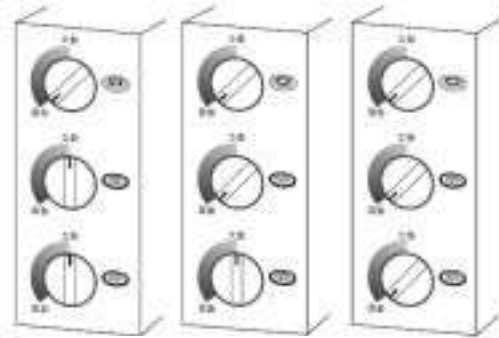
The adjustment of air on each burner is properly set. No additional adjustment is needed.

### 3. Adjustment of heating power

Heating power can be adjusted by the combination of ignition and extinguishment of three knobs.

#### Warning

Do not place ignition knob between ignition and extinguishment. Each ignition knob is not able to control heating power, therefore if you use product leaving ignition knob between ignition and extinguishment position, there might be black dirt due to incomplete combustion and product breakdown.



Weak Heating power

Medium Heating power

Strong Heating power



### 3. Extinguishment

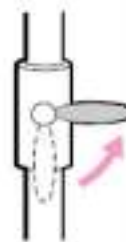
Turn the ignition knob to the "extinguishment" position.



**!**  
MUST DO

Close intermediate valve.

Intermediate valve is closed



**!**  
MUST DO

Handle fixing knob is open.

**If you want to rotate kettle soup..**

First , all valve must be extinguished.

If it rotates while burner flame is on, product could be damaged and fire might occur.

Second, open kettle lid completely.

Be careful not to get burned by steam or kettle lid.

Third, undo the handle fixing knob by pulling it up.

When you turn the handle knob to the left , the kettle soup rotates backward, and when you turn the handle knob to the right , the kettle soup rotates forward.

Handle Knob

Be careful not to get burned when product rotates. Foods could be overflowed as being shaken.

MUST DO

**Time to take boiling 180 water**

Under the strong heating power condition, it takes about 65 min. to boil 15 of 180 water up to a temperature of 100 .

**Maintenance**



**WARNING**

	<b>Do not dismantle, repair or modify.</b>
Prohibitive	Product must not be disassembled/ repaired/ modified by anyone other than our service engineers. Otherwise, you may be injured by abnormal combustion or malfunction.
	<b>Do not spray water.</b>
Prohibitive	Do not spray water. Otherwise, there might be ignition failure or damage on product .
	<b>Do not use any inflammable cleaning materials like thinner, benzene etc.</b>
Prohibitive	If you use such inflammable substances like thinner and benzene for cleaning, fire could occur due to ignition.



## CAUTION

### Close intermediate valve and wear gloves.

-Otherwise, fire, electric shock may occur. And you could get injuries.



Prohibitive

**Make sure there is no hardware left inside of product after maintenance.**

**-Otherwise, product could break down, and there could be fire or physical damage.**

## TROUBLESHOOTING



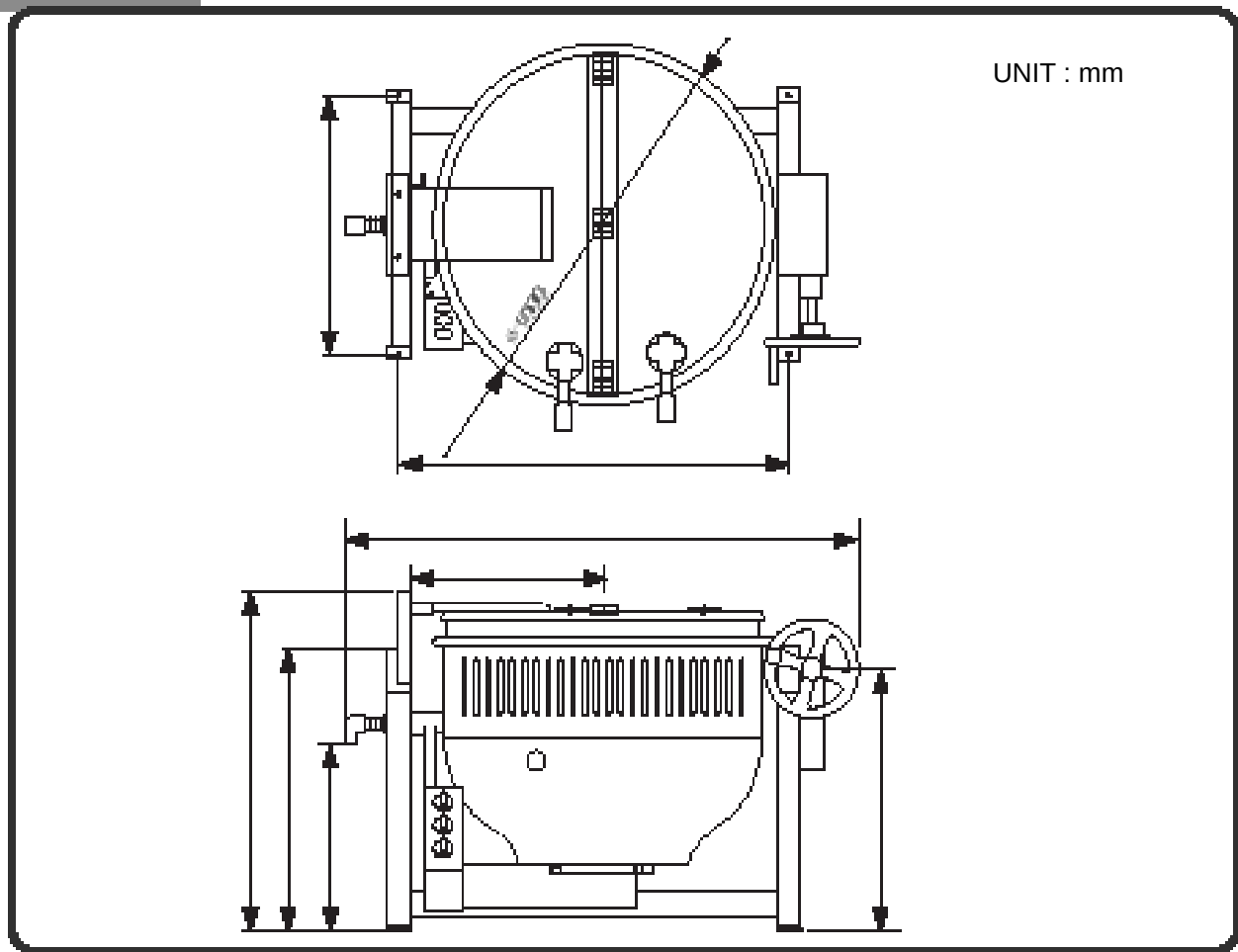
In case there is any problem in product, check the followings before calling for A/S.

Problem	Cause	Action to be taken
No Ignition	<ul style="list-style-type: none"> <li>◇ There is no gas</li> <li>◇ Malfunction of ignition safety device, valve and spark plug etc.</li> </ul>	<ul style="list-style-type: none"> <li>◇ Open intermediate valve completely.</li> <li>◇ Gas check-up(in case of LPG, check up remaining gas)</li> <li>◇ Call for repair</li> </ul>
Strange sound of "Boog-Boog" during ignition or operation	<ul style="list-style-type: none"> <li>◇ Product backfires.</li> </ul>	<ul style="list-style-type: none"> <li>◇ Turn off and ignite later.</li> <li>◇ Make product's horizontal.</li> <li>◇ If you still have a problem, call for repair.</li> </ul>
Gas leakage	<ul style="list-style-type: none"> <li>◇ Bad connection</li> <li>◇ Incomplete combustion</li> <li>◇ Gas leakage is suspected in product.</li> </ul>	<ul style="list-style-type: none"> <li>◇ Close main valve then call for service center.</li> </ul>
Black dirt	<ul style="list-style-type: none"> <li>◇ Incomplete combustion</li> </ul>	<ul style="list-style-type: none"> <li>◇ Call for repair</li> <li>◇ Make product's horizontal.</li> </ul>
Kettle does not rotate.	<ul style="list-style-type: none"> <li>◇ Kettle lid is closed.</li> <li>◇ Handle is locked</li> <li>◇ Gear is broken.</li> </ul>	<ul style="list-style-type: none"> <li>◇ Open kettle lid</li> <li>◇ Unlock handle</li> <li>◇ Call for repair</li> </ul>

If other problems are found, call for our A/S center.



## SPECIFICATIONS



UNIT : mm

PRODUCT NAME		KETTLE SOUP		
MODEL NAME		RSK-500		
SPECIFICATIONS	WIDTH	1,516		
	LENGTH	1,000		
	HEIGHT	955 (THE HIGHEST HEIGHT WITH OPEN: 1,490)		
WEIGHT		114Kg (PACKING: 138 Kg)		
CONNECTION OF GAS HOSE		3/ 4" (20A)		
SAFTY DEVICE		FIRE EXTINGUISH SAFTY DEVICE		
GAS	LP GAS	LARGE BURBNER	2.25 Kg/ h	
		SMALL BURNER	0.92 Kg/ h	
		TOTAL CONSUMPTION	3.17 Kg/ h	
	LNP GAS	LARGE BURBNER	27,000 Kcal/ h	
		SMALL BURNER	27,000 Kcal/ h	12,000 Kcal/ h
		TOTAL CONSUMPTION	39,000 Kcal/ h	
KETTLE AVAILABLE CAPACITY		180 ( MAXIMUM CAPACITY : 240 )		
PART LISTS		USER' S GUIDE BOOK(1EA), KETTLE LID(2EA)		

IT COULD BE CHANGE FOR THE BETTER PRODUCTS WITHOUT NOTICE