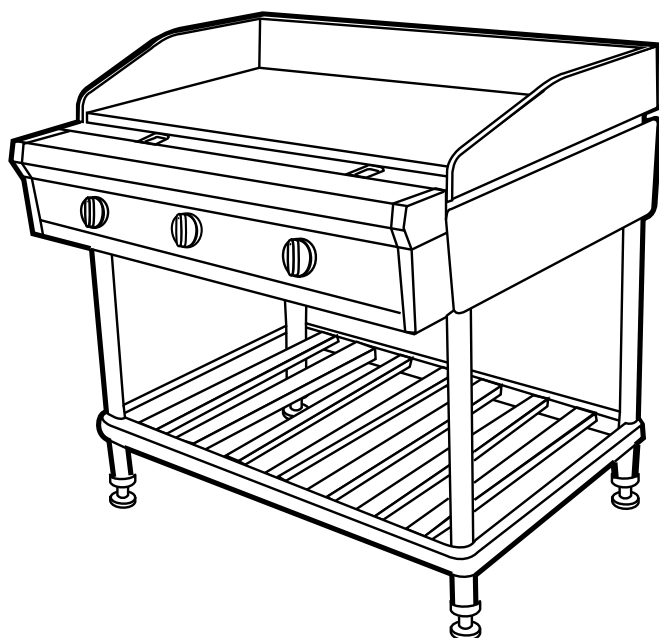


Rinnai

Manual Book

Gas Griddle
RSB-903H/HW



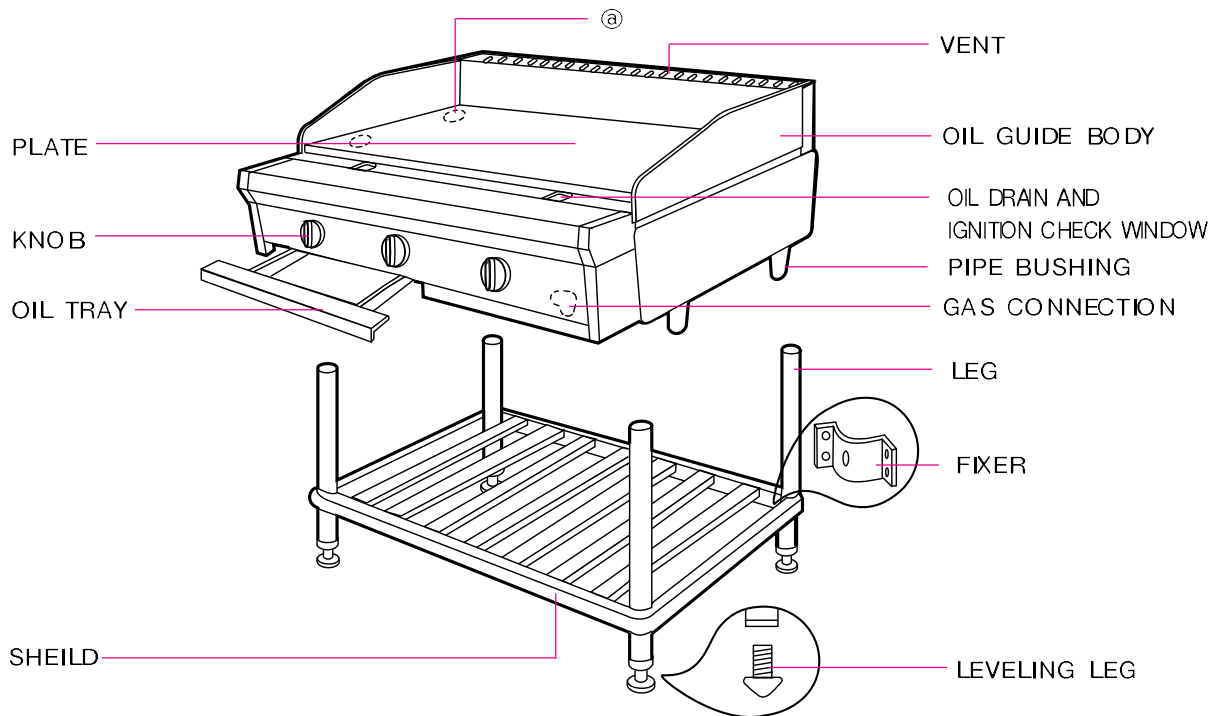
Index

Page

Components & Features	1
Product assembling	2
Product installation	3
Prior to use	5
How to use	6
Warning	8
How to maintain	9
Specifications of products	10

Components & Features

Components



Features

1. EASY TO USE

You have 3 Step flame control (strong, middle, weak) according to cooking material amounts

2. Simple ignition

Piezo auto ignition

3. Safty

Extinguishing safty device cou-off the gas automatically

4. Ignition check

You can easily check the flame using ignition checking window

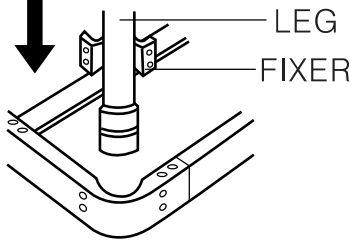
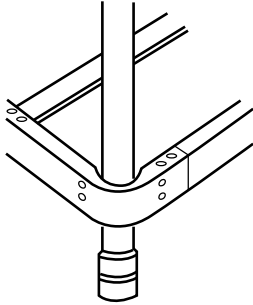
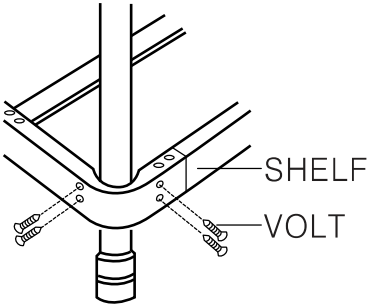
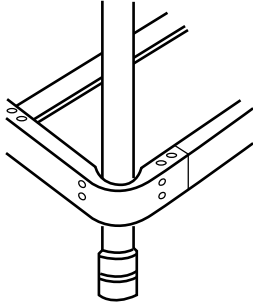
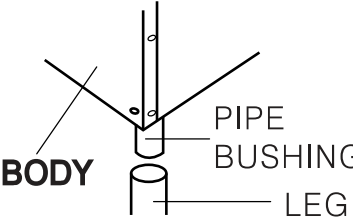
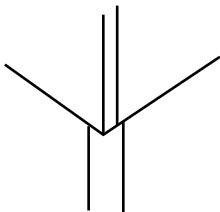
5. Unit stability

The leveling legs are covered rubber

6. Easy to clean

2 oil tray help unit cleaning

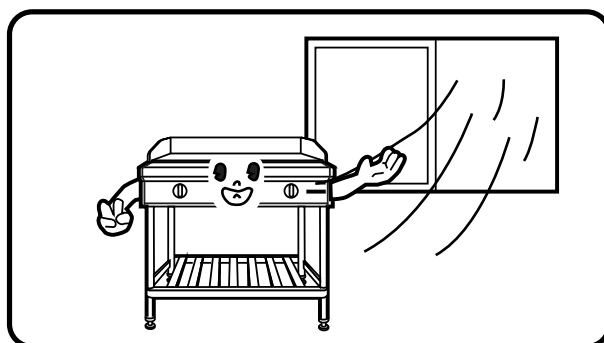
Product assembling

	BEFORE	AFTER	CHECK
1	 <p>LEG FIXER</p>		Insert the leg at corner of shelf like a picture
2	 <p>SHELF</p> <p>VOLT</p>		Fasten the 4 spot lightly and fasten fully
Assemble the other 3 legs like above method			
3	 <p>BODY</p> <p>PIPE BUSHING</p> <p>LEG</p>		

Product installation

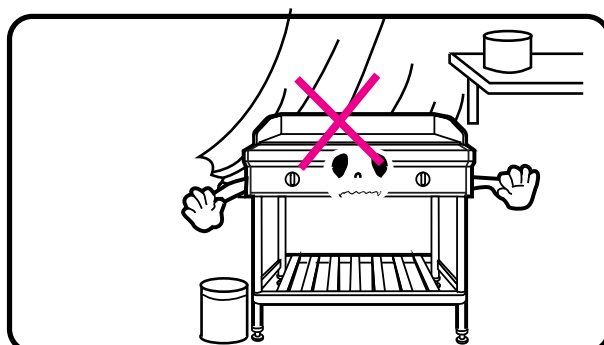
VENTILATION

Let the ventilation be well operated



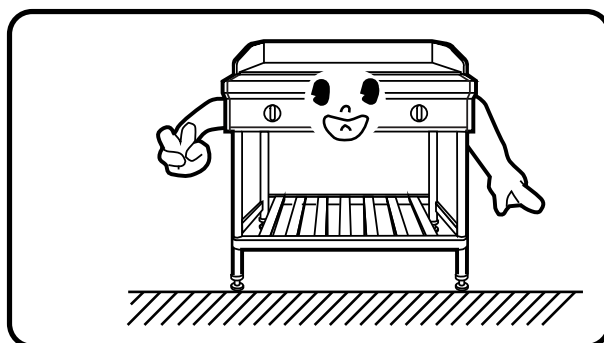
FLAMMABLE MATERIAL

Do not put flammable material near unit such as wood curtain e.t.c



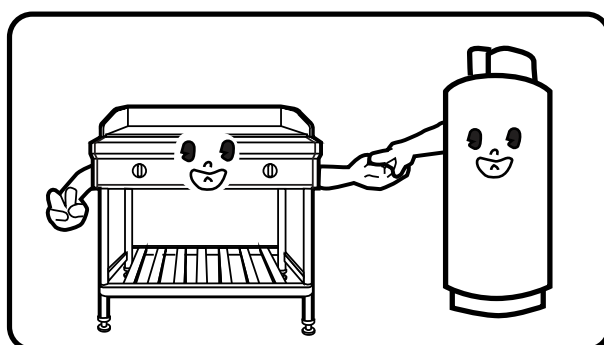
KEEP THE LEVEL

Solid and flat place is recommended



GAS PRESSURE

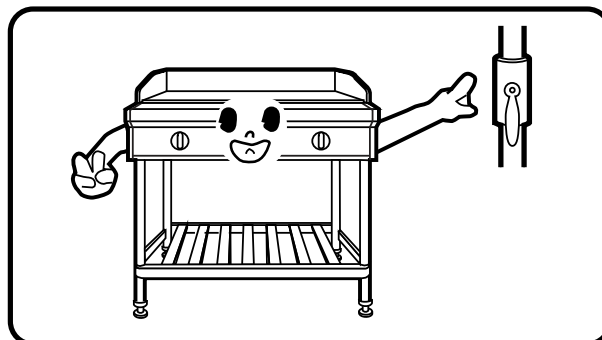
This product is for low pressure as same as domestic



Product installation

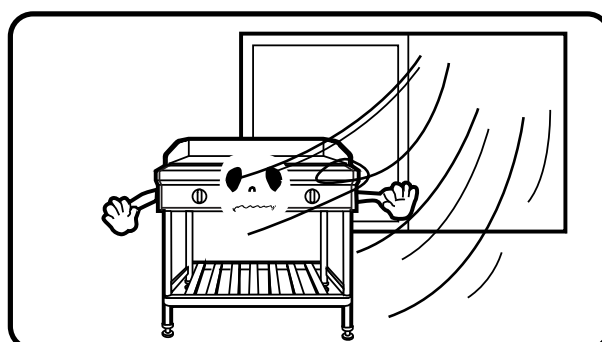
INTERMEDIATE VALVE

Install the intermediate valve near unit



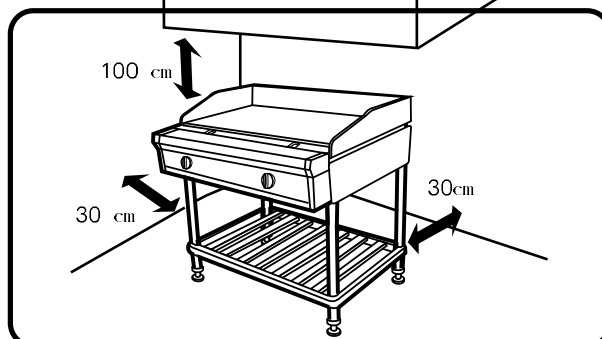
WINDY PLACE

Strong wind might put out the flame



KEEP CLEARANCE FROM THE WALL

Keep the enough clearance between the product and the wall otherwise, please install the insulator

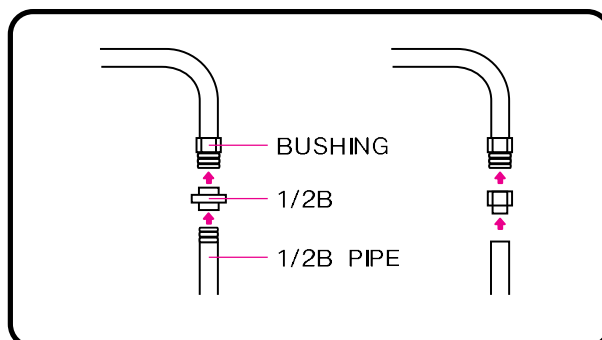


GAS CONNECTION

Request a gas agency or its relevant company for gas connection

Use a proper gas pipe to fit with busing and fasten fully

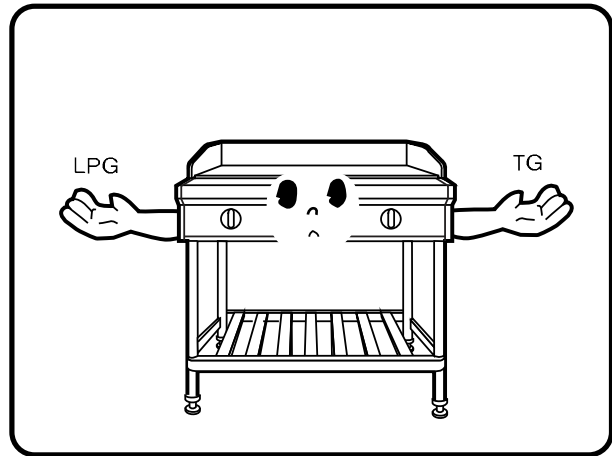
In case of rubber hose, use a 1/2B(15A) of capler



Prior to use

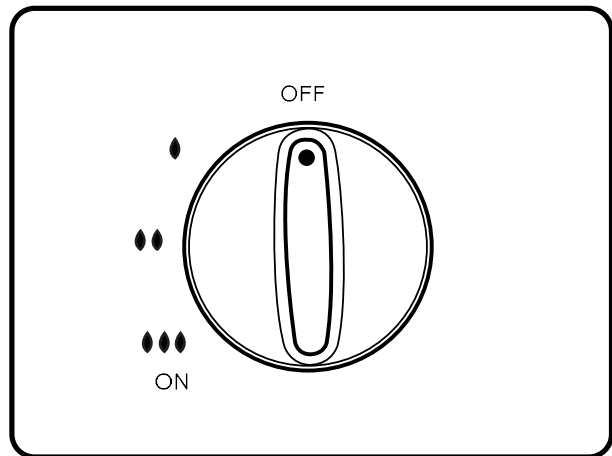
YOU MUST USE A DESIGNATED GAS

Make sure the using gas is the same with the one written on the table use of other type of gas may cause incomplete combustion



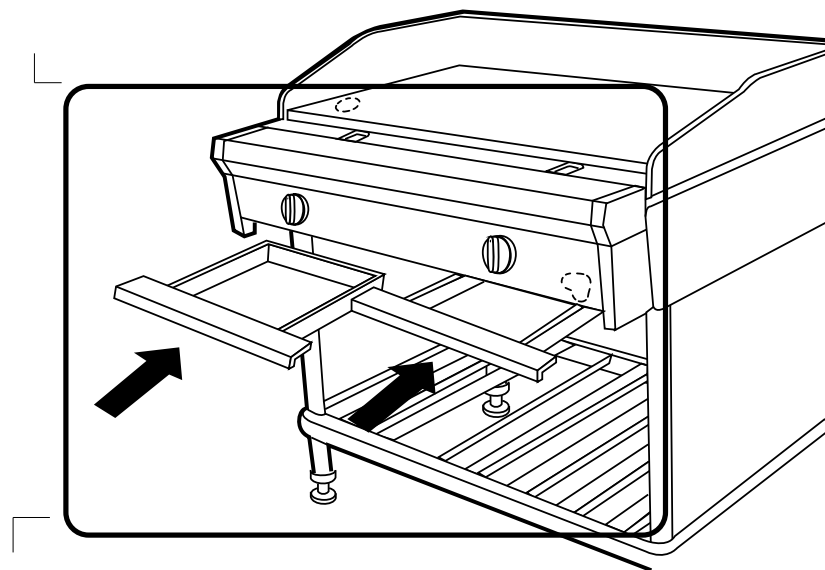
FLAME KNOB POSITION

Before open the intermediate valve, should check



OIL TRAY ASSEMBLY

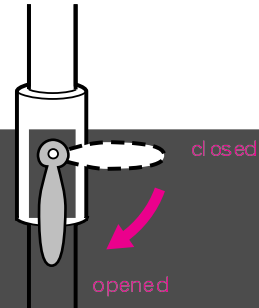
Use a unit after assembling the oil tray



How to use

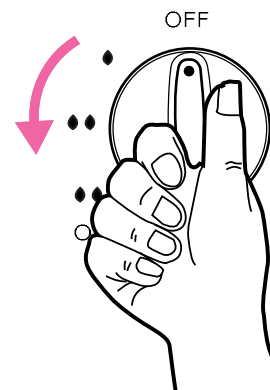
OPEN THE INTERMEDIATE VALVE

- Open the gas vessel valve and intermediate valve



IGNITION

- After turning to "ON" location through pressing ignition knob ignition into burner is made with a spark accompanied by a little breaking sound and check a flame condition using checking window
- In case ignition is not made immediately, turn knob to original toward ignition



Cautions

If knob is turned without pressing, it is likely, to break and if knob is turned too quickly-ignition may occur
In case there is air in the hose, ignition is not made well for the first time
Then turn on ignition knob repeatedly

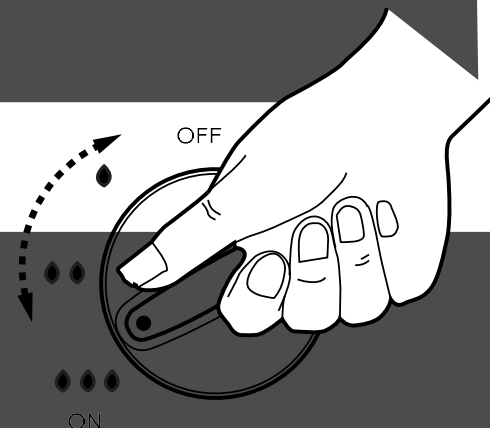
※ Air control

Air control of each burner does not need, because it is fixed properly.

FLAME CONTROL

- Turn to the clockwise. Flame will be reduced warning

- Please control the flame with checking ignition through the window



EXTINGUISHMENT

- Turn the knob till the "off" position warning

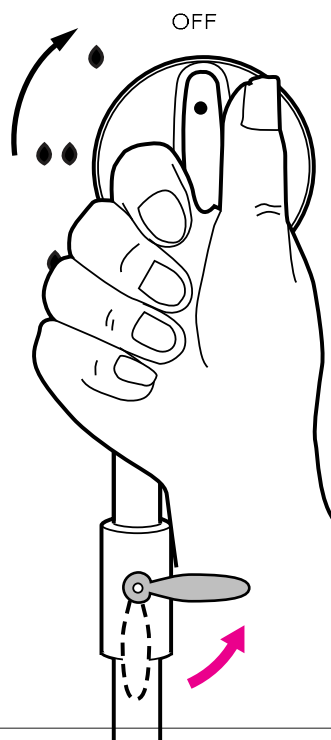
-Must check flame off

Temperature of pate

This temperature resulted after 30 minutes heating without cook material at the same flame

Flame	High	middle	Low
temp	280	220	130

- Close a gas intermidate valve
if you use strong flame without cooking material
it may be a reason of discoloration



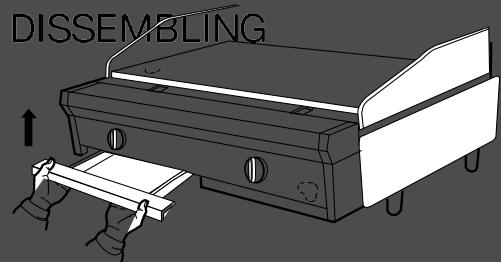
CAUTIONS DURING USE

REMOVE THE FLAMMABLE MATERIAL



OIL TRAY ASSEMBLING AND DISSEMBLING

- You can pull out around 9cm like side picture
- Then lift up the oil tray and pull out 11cm more(oil tray 20cm)
- Please use two hands

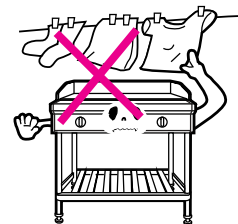


SUPPLY A FRESH AIR

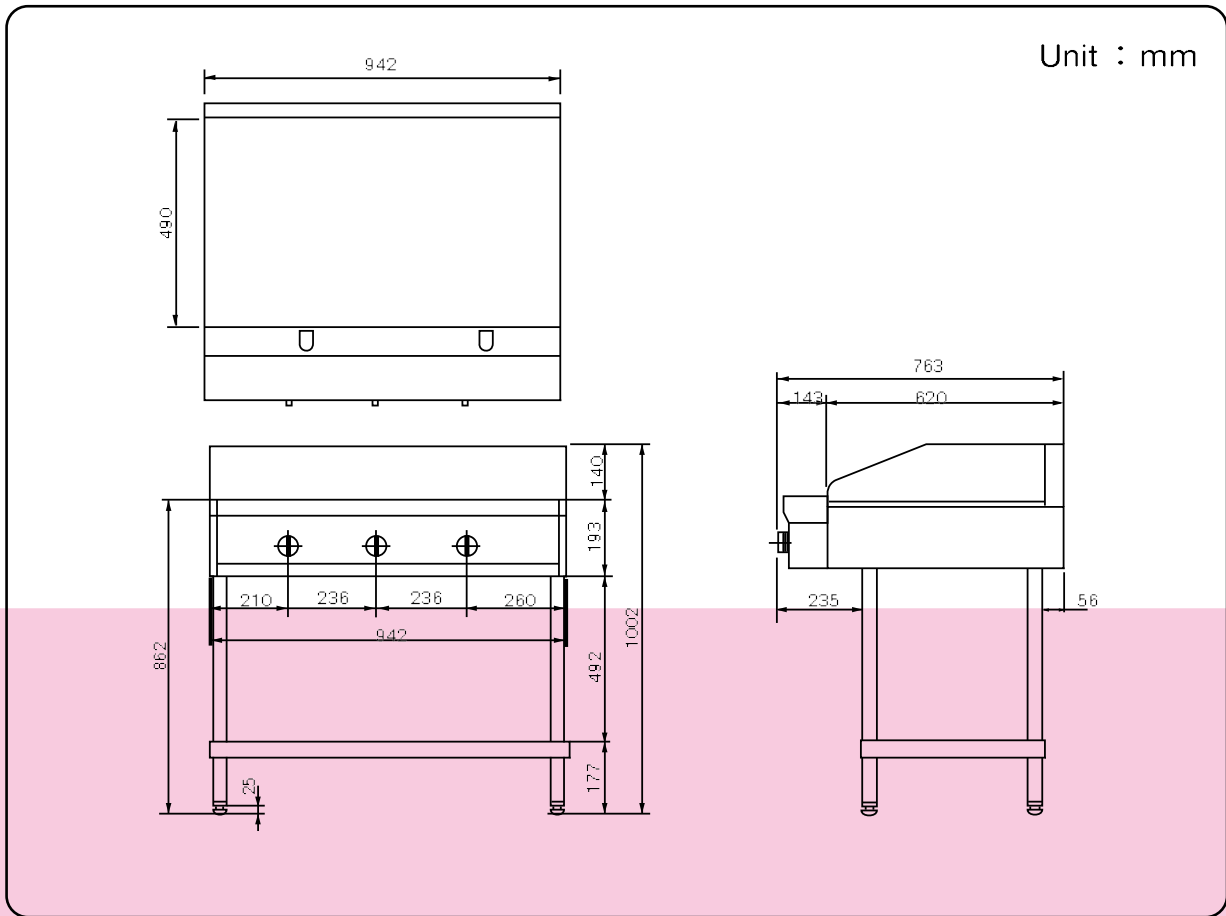


DO NOT USE FOR OTHER PURPOSE

- Using the product for drying cloth or other purpose
- It may cause a fire or unit damage



EXTERIOR SPECIFICATIONS



Name of article		Gas griddle
Name of model		RSB-903H
Size	Width	900mm
	Lengt	750mm
	Height	825mm
weight(kg)		72
Total Gas consumption	LP Gas	0.80kg/h
	Town Gas	9.500kca/h
Gas pipe		15A(1/2B)

MEMO

Rinnai

ver. 050214