



INDEX

☺ Thank you very much for purchasing Master Chef Stove, RSB-2PRD/RSB-4PRD/RSB-7PRD.

Read this manual carefully before use in order to prevent any damage caused by any careless use. Then you can enjoy the excellent conditions of products for a long time.

■ RSB-2PRD/RSB-4PRD/RSB-7PRD Master Chef Stove Features

1. Installed together with small burners and large casting burners.(RSB-4PR)
2. It is easy to control flame because of using 3 stages cock.
3. Piezo Electric Ignition.
4. Safe low-pressure gas.
5. High-calory large burners.

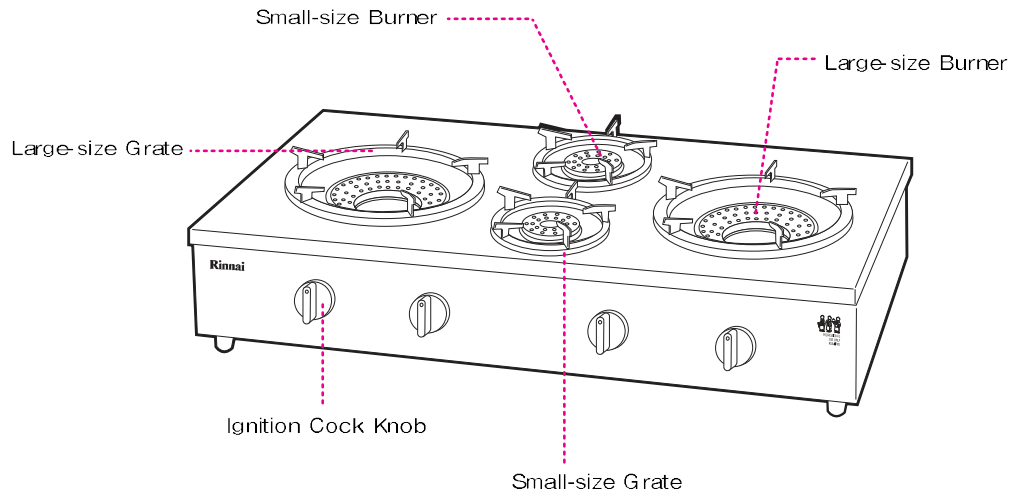
■ Contents

▷ COMPONENTS -----	2
▷ PRODUCT INSTALLATION -----	3
▷ HOW TO USE -----	5
▷ EXTERIOR SPECIFICATIONS -----	7



COMPONENTS

🔧 Part name(RSB-4PRD)



🔧 Notice

- Use either L.P.G or L.N.G depending upon local situation.
Make it sure to select the proper type of gas to fit into this product.
- It is very dangerous for modification of product by yourself.
- Minimum 60cm distance should be maintained from any electronic goods or appliances.
- Please check out whether any gas leakage after installation, specially inspect each connecting areas with soap liquid.



PRODUCT INSTALLATION

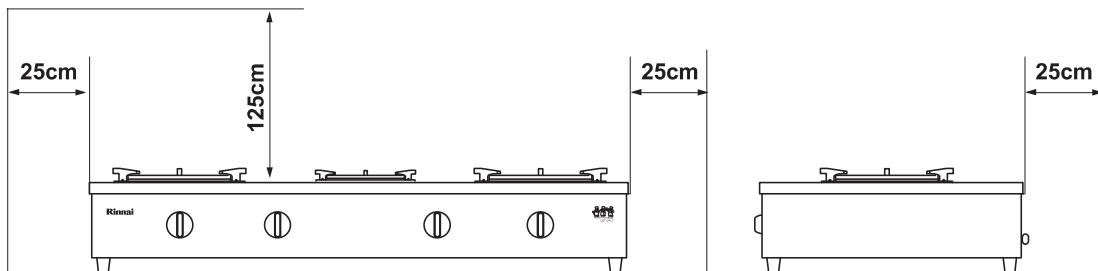
Basic Facilities	Caution
Gas vessels	In case at place where sunlight is cut off in outdoors and ventilation is made well to ensure safety
Controller	In case of L.P.G use, maintain 280 ± 50 mmH ₂ O
Intermediate Valve	Install at place used frequently
Hose L.P.G use L.N.G use (ϕ 9.5mm)	<ul style="list-style-type: none"> • Maintain 3m length of you can, and connect each hose every 1m. • Do not install under burner bottoms where gas hose can be effected by any heat, Do not bent to twist.

■ Sides and Back of this product shall be seperated from such combustible wall as wooden materials by gap of 25cm, as show in fig.

■ Place where there is less moisture for durability.

■ Install the product horizontally.

■ Place where easy of ventilation.



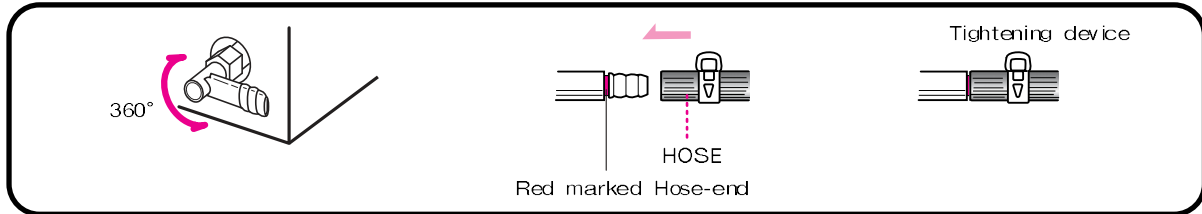
■ If you cannot maintain at least 25cm from combustable walls, use seperate anti-heat plate



PRODUCT INSTALLATION

■ Gas connection

- Tighten with tightening device after picking sufficiently up to redmark in hose connecting parts of product and intermediate valve in a house by means of hose fitted to gas and product.

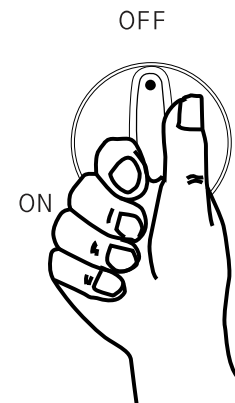


■ Ignition

- First of all, check the knob whether it is positioned in "OFF". Secondly open the valve to the end, then open intermediate valve, container valve and main valve.

- After turning to "ON" location through pressing ignition knob, ignition into burner is made with a spark accompanied by a little breaking sound, and checking whether ignition into burner is made while holding the knob in such a state for a few secs, keep your hands off.

- In case ignition is not made immediately, turn knob to original location outward ignition.

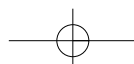


※ Caution

- If knob is turned without pressing, it is likely, to break and ignition is made in some cases when turning it too ignition.
- In case there is air in the hose, ignition is not made well for the first time. Then turn on ignition knob again until main burner does light.

■ Air control

- Air control of each burner does not need, because it is fixed properly.





HOW TO USE

■ Flame control

- Two small burners in the center is designed to 4 position cock(3 stages flame control). So it is not necessary to watch the flame during flame control.

※ Caution

- When turning down the flame from strong to weak, operate the knob slowly.

■ During using, caution

- Be careful that burner is not smeared with a unnecessary materials.

■ Fire prevention

- Do not store or use gasoline or any other flammable vapors and liquids in the vicinity of this appliance.

■ Incomplete combustion

- When the pressure of supplied gas is more feeble than as usual, the imperfection combustion which would be the cause of gas positioning could be made. therefore you mustn't use simultaneously every burner, use seperately the burners one by one.

■ Ventilation

- A lot of oxygen in indoor easily exhausted by burners.

Ventilate gas heater also through window opening, ventilantor and etc.(abt one time per half an hour)

■ Take care of burn

- In case of long time use, the top plate and body can be overheated. Thus do not touch them.

■ Leakage check and remedy method

■ Smell check

- Prior to use, always check if there is smell of gas.

for the purpose of leakage check, since-with strong smell mercaptan is added in combustion use gas sensing is made even with 1/1,000PPM.

in case of smell due to gas leakage

Evade any action (switch activation for gas product ignition, light bulb and electric appliances) and flammable things which can cause leakage gas to make an ignition(a burst)

Ventilating through opening window and door and closing the knob through echecking whether it is open or not, lock up intermediate valve, container valve and main valve and then contact your dealer or local city gas designated business shop quickly.



HOW TO USE

■Prevention checking and soak water inspection

- If you think the connection hose is too old, replace with new ones immediately.
- Check regularly if there is any looseness or abnormality in hose, intermediate valve and etc where are tightened by insertion of hose, check on it by pasting soap water, if any.

■Maintenance

■Top plate, body, Case

- After rising with hot water, wash with soft dry cleaner.
- Use normal dish washing detergent.
- Burner parts should be kept clean at all times.
- Do not use wire brush etc.

■Cause and remedy by trouble

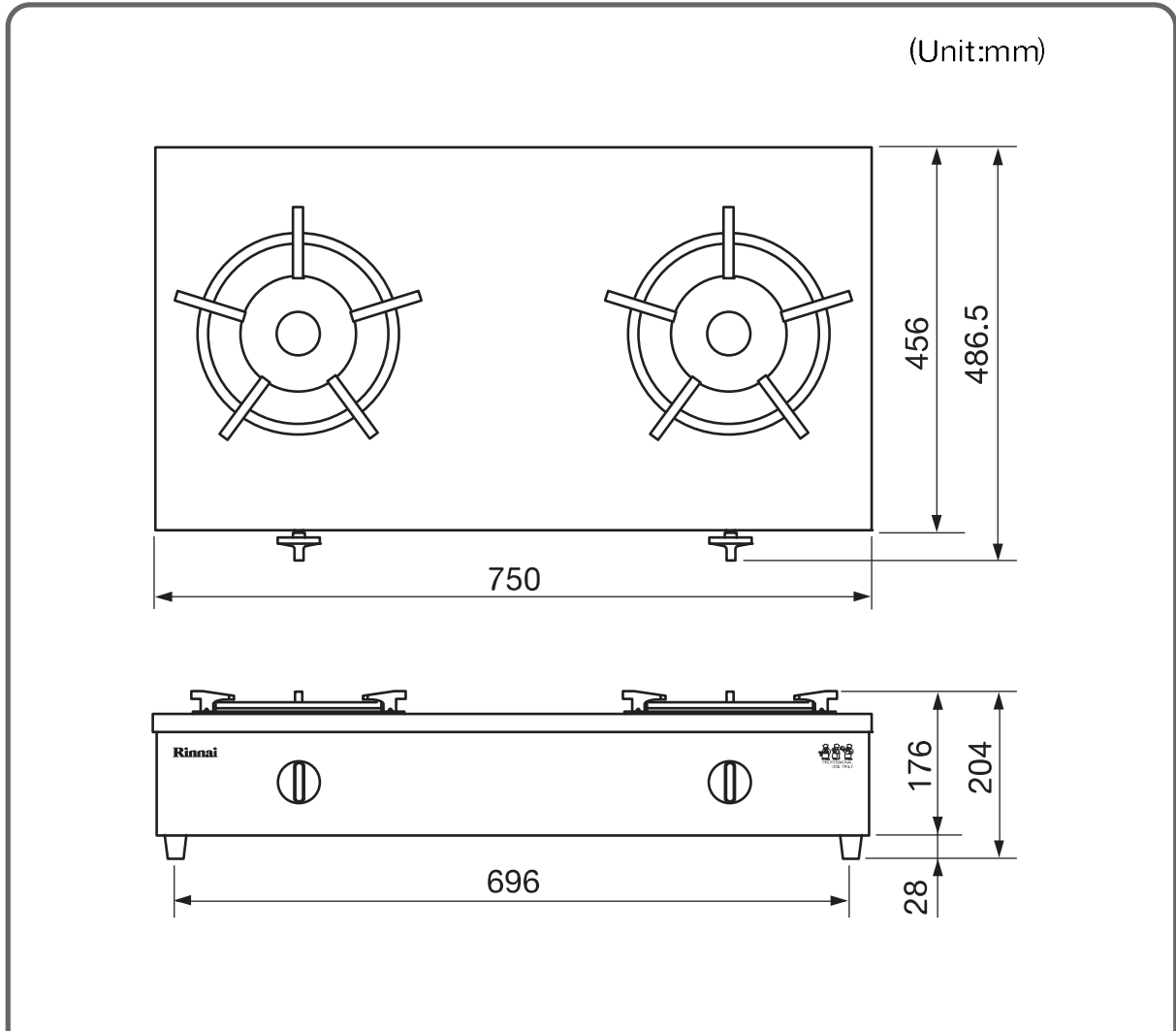
Prior to request for service see cause and remedy by trouble at first.

Then you can solve the problem without calling service and the heater may operate normally.

Trouble	Cause	Procedure
Ignition is not made	Pilot parts are covered with moisture and liquid etc.	<ul style="list-style-type: none"> • Pilot parts is wiped with soft cloth and brush etc cleanly • Request for repair
Whistling noise during ignition or operation	Back firing	<ul style="list-style-type: none"> • Turn off range immediately and reignite.
Smell of raw unburned gas	<ul style="list-style-type: none"> • Gas leak • Incomplete combustion • Hose connection part is not fitted well 	<ul style="list-style-type: none"> • Turn off gas valve knob and main valve. • Then contact your dealer or gas company.



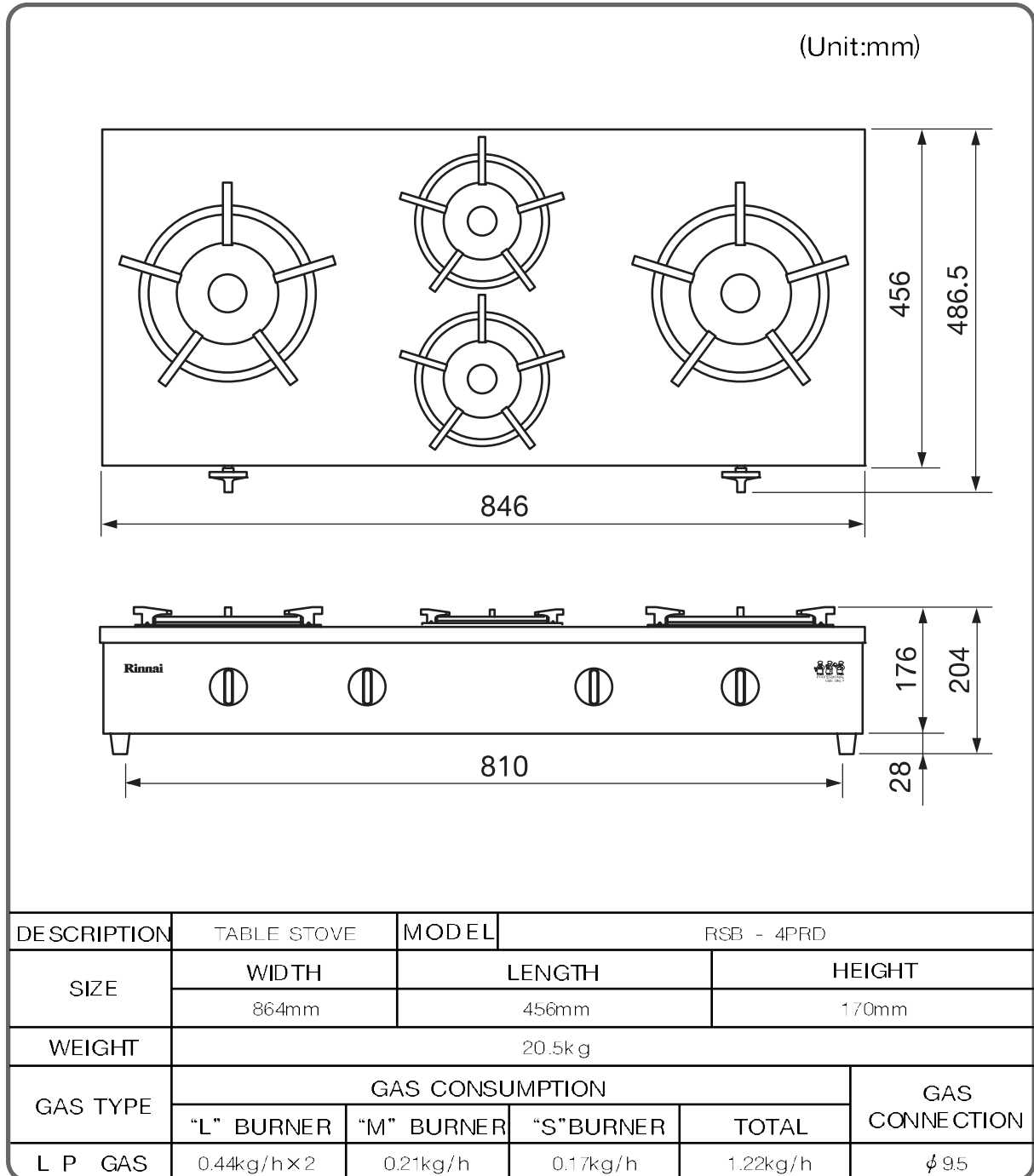
EXTERIOR SPECIFICATIONS



DESCRIPTION	TABLE STOVE	MODEL	RSB - 2PRD	
SIZE	WIDTH	LENGTH		HEIGHT
	750mm	456mm		170mm
WEIGHT	18kg			
GAS TYPE	GAS CONSUMPTION			GAS CONNECTIONG
	LEFT BURNER	RIGHT BURNER	TOTAL	
L P GAS	0.49kg/h	0.49kg/h	0.95kg/h	φ 9.5



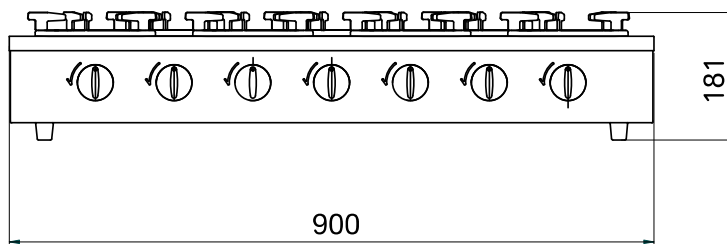
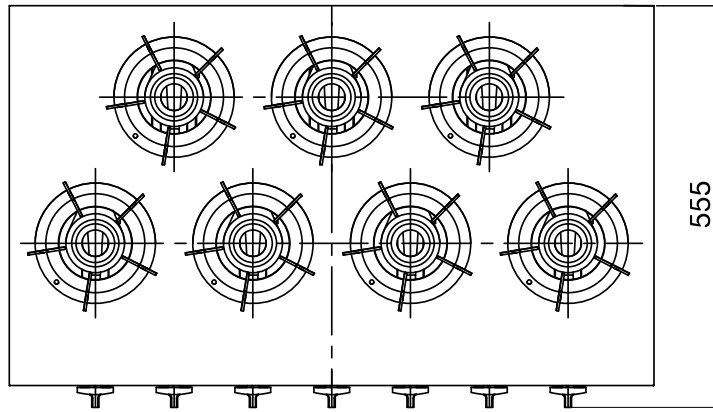
EXTERIOR SPECIFICATIONS



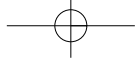


EXTERIOR SPECIFICATIONS

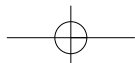
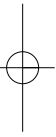
(Unit:mm)



DESCRIPTION	TABLE STOVE	MODEL	RSB - 7PRD	
SIZE	WIDTH	LENGTH		HEIGHT
	900mm	530mm		148mm
WEIGHT	26 kg			
GAS TYPE	GAS CONSUMPTION			GAS CONNECTION
	BURNER	TOTAL		
L P GAS	0.24kg/h	1.62kg/h		φ 9.5

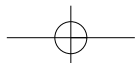


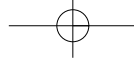
MEMO





Rinnai



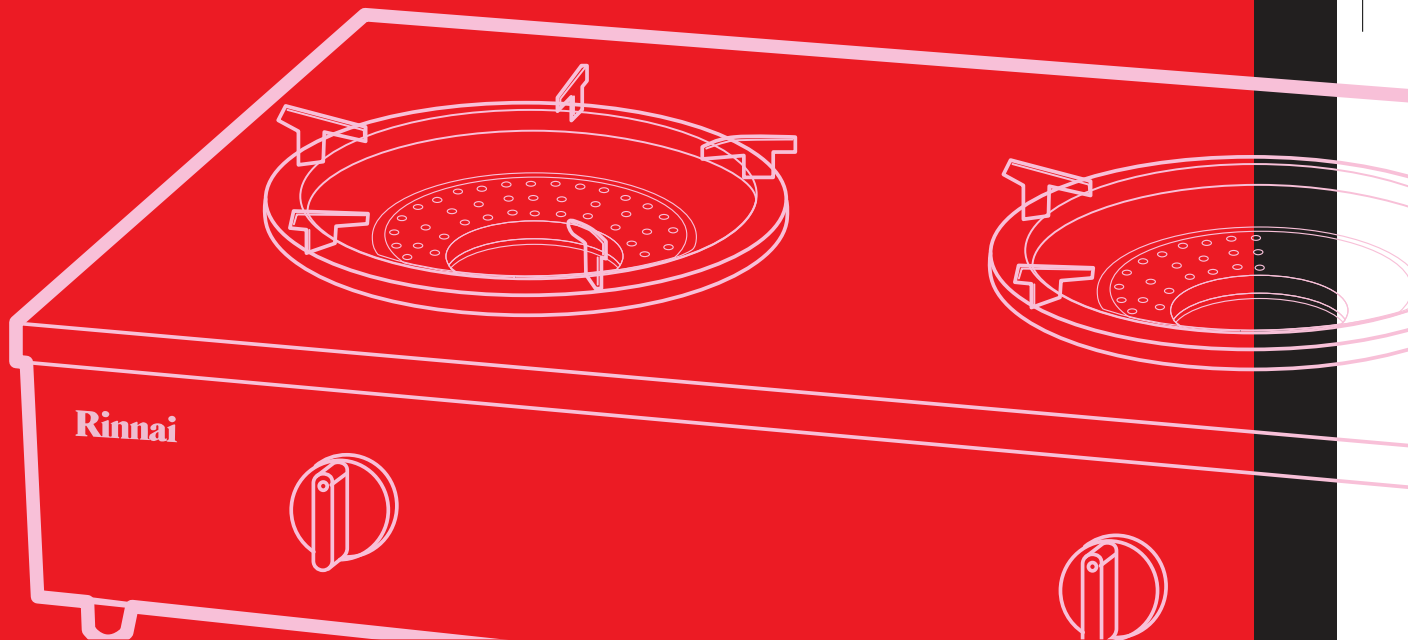


Rinnai
For the Generations to Come

U/S/E/R/I G/U/I/D/D/E/I B/O/O/K

OPERATION MANUAL

RSB-2PRD, RSB-4PRD, RSB-7PRD



PLEASE READ THIS OPERATION MANUAL CAREFULLY BEFORE USING.

**FOR YOUR SAFETY
DO NOT STORE, USE GASOLINE OR ANY OTHER FLAMMABLE VAPORS
AND LIQUIDS IN THE VICINITY OF THIS OR AND OTHER APPLIANCE**

