


EXPLODED VIEW SPECIFICATION

PT. RINNAI INDONESIA

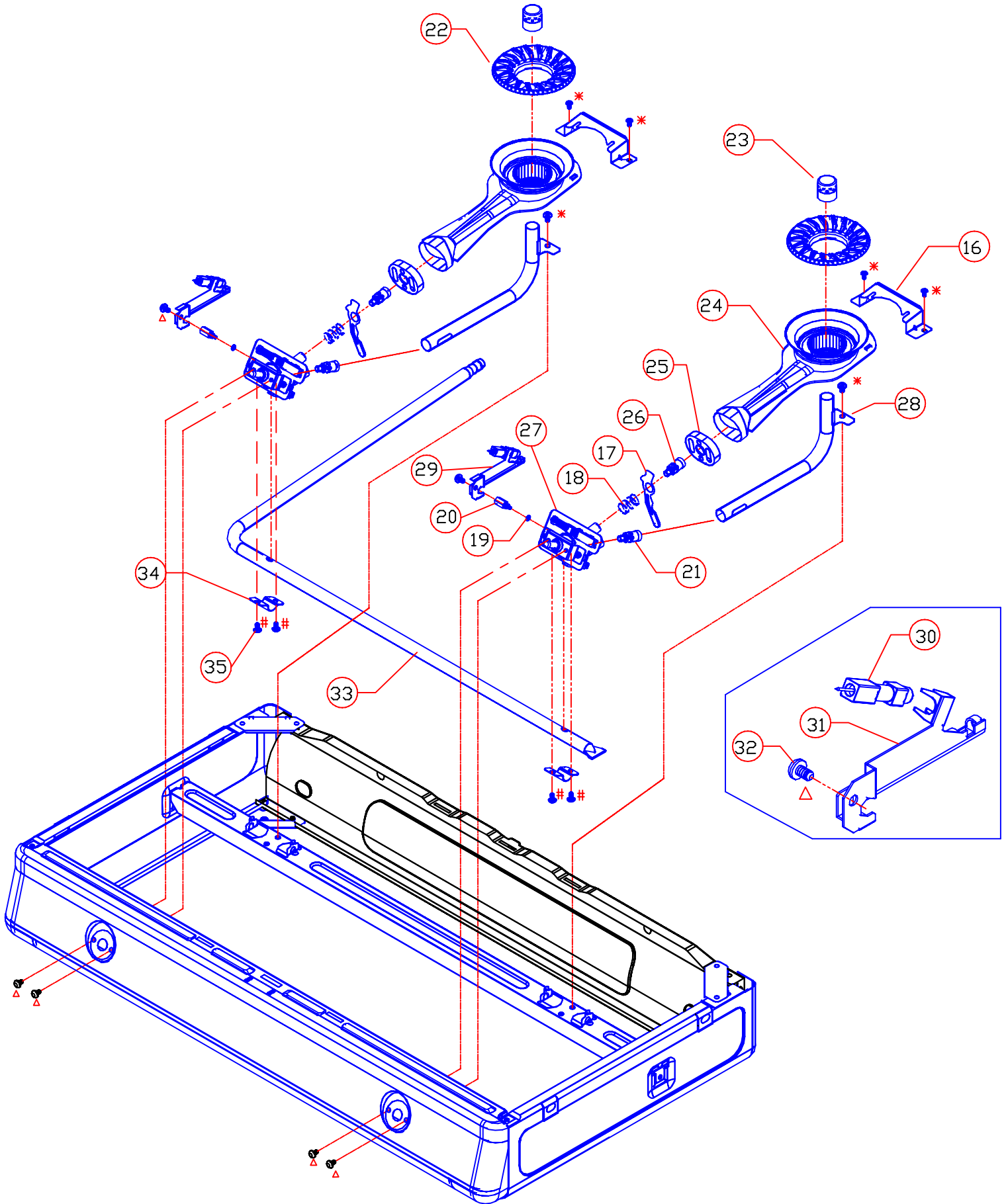
MODEL :	RI-602 HTB (LPG)
CUSTOMER :	RINNAI-MALAYSIA
DATE :	5-Feb-09
REMARKS :	@ : NEW PARTS / MODIFY
	# : SPECIAL PARTS

APPROVED	APPROVED	CHECKED	CHECKED	MAKE BY
				 (SUWENDA)

RI-602 HTB (LPG)

NO	PARTS NUMBER	PARTS NAME	RI-602 HTB	
			(SUS)	(GREY)
1	RI7-214-1x02-E	PAN SUPPORT ASSY Ø 138 (ENAMEL)	(2)	(2)
2 >>	RI-602-110-3-SUS	TOP PLATE	1	
>>	RI-602-110-EG	TOP PLATE (ENAMEL GREY)		1
3	RI-602-150-4x01	REAR PANEL	1	1
4	RI-602-151x06	BURNER SUPPORT	1	1
5	RI52-215-2x01	CENTER SUPPORT BRACKET RI-522	1	1
6	RI-602-142-9x01-P	SIDE PANEL LHS (PAINT BLACK GLOSS)	1	1
7	RI-602-141-9x01-P	SIDE PANEL RHS (PAINT BLACK GLOSS)	1	1
@ 8	RI-602-132-37x02-PR	FRONT PANEL ASSY (PRINTING) RI-602 HTB	(1)	(1)
9	RI-602-153-4	KNOB ASSY (BLACK)	(2)	(2)
10	RI-602-152x03	TOP PLATE SUPPORT	3	3
11	RI-602-159x01	REINFORCEMENT UPPER	2	2
12	RIT-0013-3-PL	REAR PANEL REINFORCEMENT(PLATING.3)	4	4
13	RI-602-155	RUBBER LEG ASSY	(4)	(4)
14	ZBA 0408 SZ	SCREW (M 4x8 FT)	14	14
15	ZEAD 0408 SZ	SCREW (M 4x8 TP)	14	14
16	RIT-0244-1	BURNER BRACKET TTC (RT7)	2	2
17	REY-1151-1x03	DAMPER. A	2	2
18	REY-1068x02	SPRING	2	2
19	M10B-13-3	O RING S3	2	2
20	RT-570-119-0.55	PILOT NOZZLE Ø 0.55 (LPG)	2	2
21	RI-602-185-0.35x01	SUPER NOZZLE Ø 0.35 f/SIMMER TTC BURNER (LPG)	2	2
22	B2A99-1	BURNER HEAD TTC Ø 110	2	2
23	B2A99-8x02	SIMMER BURNER HEAD (TTC)	2	2
24	B2A99-2	BURNER ASSY TTC (RI5/RI7)	(2)	(2)
25	CP-21661-1x02	REGULATOR BIG	2	2
26	RI-602-186-0.95	SUPER NOZZLE Ø 0.95 f/BIG BURNER (LPG)	2	2
27	C5Q-2-1	GAS VALVE DOUBLE ASSY	(2)	(2)
28	B2A99-9-1x03-PL	SIMMER BURNER VENTURY ASSY (PLATING.1) RI6/RI52 (TTC)	(2)	(2)
29	RI-602-126x03	PILOT HOLDER ASSY (RI-602)	(2)	(2)
30	CP-50188	ELECTRODE	2	2
31	RI-602-127x03	PILOT HOLDER	2	2
32	ZHAA 0406SZ	SCREW (M4x6 MC)	6	6
33	RI-602-156-P	MANIFOLD PIPE(PAINTING)	1	1
34	MS-C5Q2-15	GAS VALVE BRACKET	2	2
35	ZHAB 0408 SZ	SCREW (M4x8 MC)	4	4
@ 36	CB602-24-P	CARTON BOX (PRINT) RI-602 HTB	1	1
37	CL4-602	LAYER SIDE RI-602	2	2
38	CL3-522RM	LAYER PAN SUPPORT RM-5/6 HTB	1	1

RI-602 HTB



RI-602 HTB

