


EXPLODED VIEW SPECIFICATION

PT. RINNAI INDONESIA

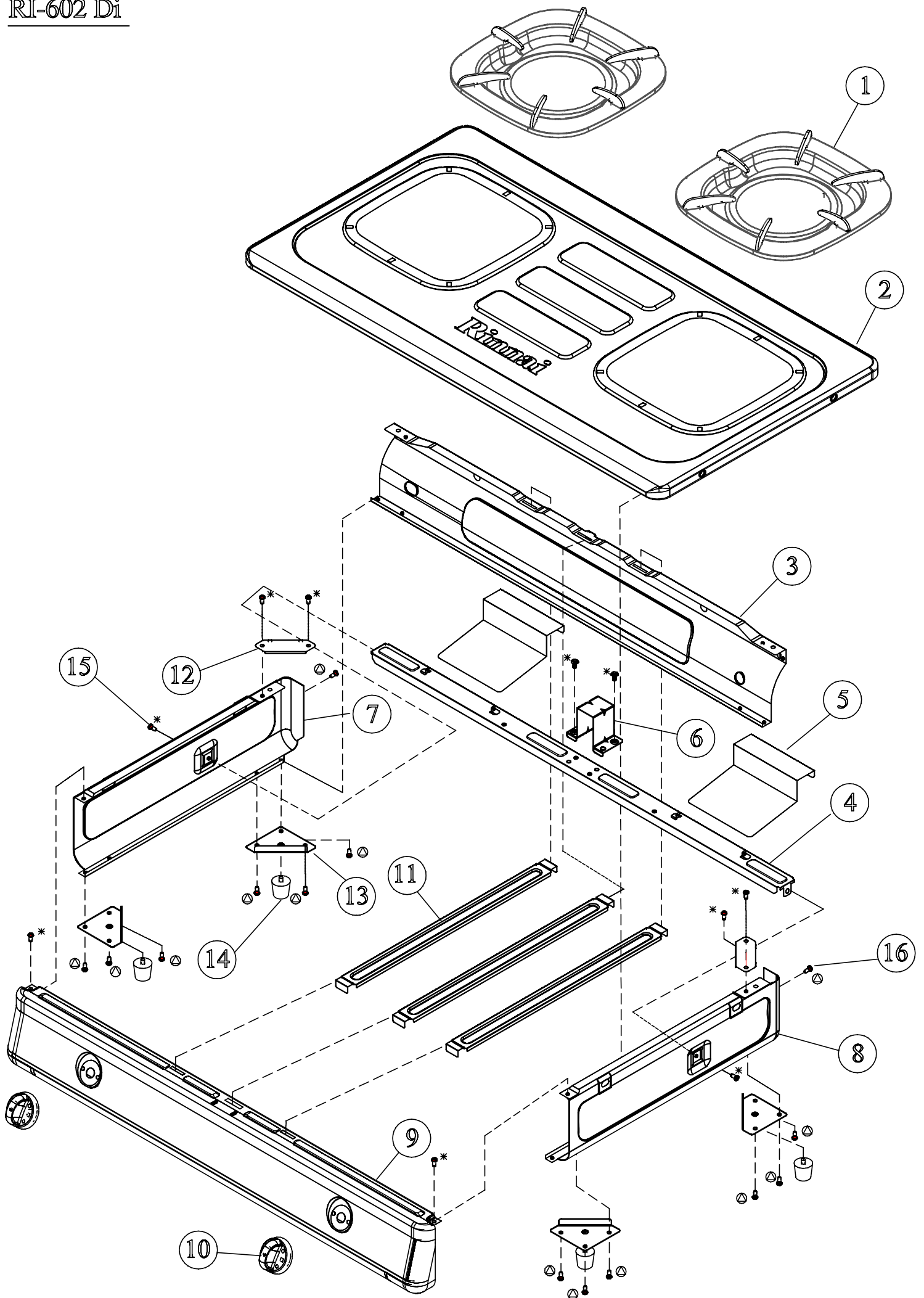
| | |
|------------|------------------------|
| MODEL : | RI -602 Di (LPG) |
| CUSTOMER : | LOCAL / INDONESIA |
| DATE : | 3-May-12 |
| REMARKS : | @ : NEW PARTS / MODIFY |
| | # : SPECIAL PARTS |

| | | | |
|----------|---------|---------|--|
| APPROVED | CHECKED | CHECKED | MAKE BY |
| | | |  (SUWENDA) |

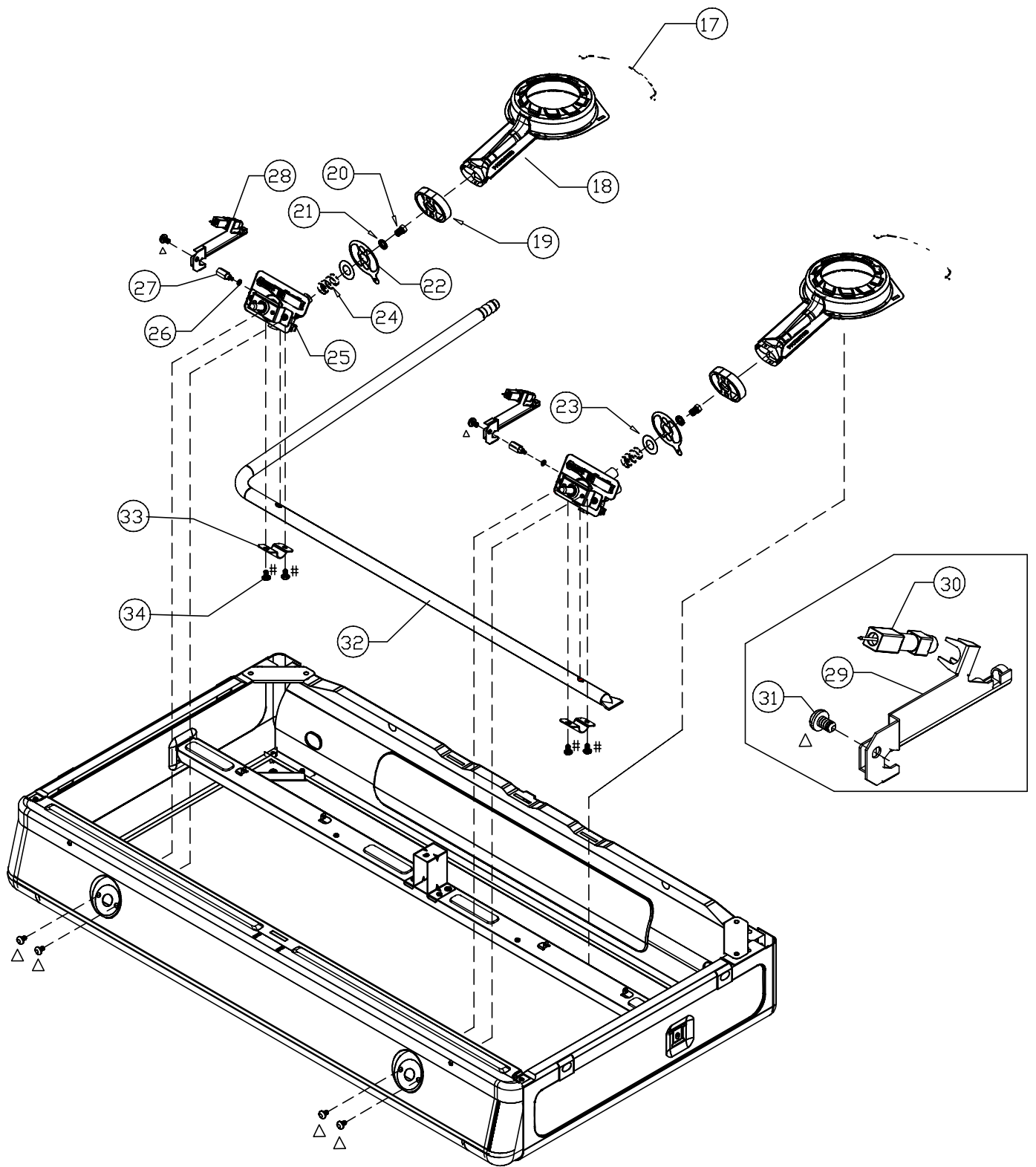
RI -602 Di (LOCAL / INDONESIA)

REVISED : 003

| NO | PARTS NUMBER | PARTS NAME | Q'TY | |
|---------|------------------------|--|------|-----|
| | | | LPG | NG |
| 1 | RI7-214-4-E | PAN SUPPORT ASSY Ø 112 (ENAMEL) RI -602 Di | (2) | (2) |
| 2 | RI-602-110-3-SUS | TOP PLATE | 1 | 1 |
| 3 | RI-602-150-4 | REAR PANEL | 1 | 1 |
| 4 | RI52-234x01 | BURNER SUPPORT | 1 | 1 |
| 5 | RI52-246x01 | BURNER SUPPORT COVER | 2 | 2 |
| 6 | RI52-215-4 | CENTER SUPPORT BRACKET RI-602 Di | 1 | 1 |
| 7 | RI-602-142-9x01-P | SIDE PANEL LHS (PAINT BLACK GLOSS) | 1 | 1 |
| 8 | RI-602-141-9x01-P | SIDE PANEL RHS (PAINT BLACK GLOSS) | 1 | 1 |
| 9 | RI-602-132-35x02-PR | FRONT PANEL ASSY (PRINTING) RI-602 Di | (1) | (1) |
| 10 | RI-602-153-4 | KNOB ASSY (BLACK) | (2) | (2) |
| 11 | RI-602-152x03 | TOP PLATE SUPPORT | 3 | 3 |
| 12 | RI-602-159x01 | REINFORCEMENT UPPER | 2 | 2 |
| 13 | RIT-0013-3-PL | REAR PANEL REINFORCEMENT(PLATING.3) | 4 | 4 |
| 14 | RI-602-155 | RUBBER LEG ASSY | (4) | (4) |
| 15 | ZBA 0408 SZ | SCREW (M 4x8 FT) | 10 | 10 |
| 16 | ZEAD 0408 SZ | SCREW (M 4x8 TP) | 14 | 14 |
| 17 | RI52-237 | BURNER SUPPORT SPRING | 2 | 2 |
| 18 | RI52-225 | DRAGON BURNER ASSY (RI-522/RI-602) | (2) | (2) |
| 19 >> | CP-21661-1x02 | REGULATOR BIG (RT5/RT7) | 2 | |
| >> | CP-21661-2x02 | REGULATOR SMALL | | 2 |
| 20 >> | CP-60063-0.78 | MAIN NOZZLE Ø 0.78 | 2 | |
| >> | CP-60063-1.10 | MAIN NOZZLE Ø 1.10 | | 2 |
| 21 | CP-21663 | STOPPER DAMPER | 2 | 2 |
| 22 | CP-21662x01 | DAMPER | 2 | 2 |
| @ 23 >> | RIT-0187-23 | RING DAMPER Ø 23 (PLATING.1) | 2 | |
| >> | RIT-0187-26.5 | RING DAMPER Ø 26.5 | | 2 |
| 24 | REY-1068x02 | SPRING | 2 | 2 |
| 25 | C5Q-1-2 | GAS VALVE SINGLE ASSY | (2) | (2) |
| 26 | M10B-13-3 | O RING S3 | 2 | 2 |
| 27 >> | RT-570-119-0.75 | PILOT NOZZLE Ø 0.75 (LPG) | 2 | |
| >> | RT-570-119-0.90 | PILOT NOZZLE Ø 0.90 (NG) | | 2 |
| 28 | RI-602-126-1x03 | CENTER PILOT HOLDER ASSY | (2) | (2) |
| 29 | RI-602-127-1x03 | CENTER PILOT HOLDER | 2 | 2 |
| 30 | CP-50188 | ELECTRODE | 2 | 2 |
| 31 | ZHAA 0406SZ | SCREW (M4x6 MC) | 8 | 8 |
| @ 32 | RI-602-156x01-P | MANIFOLD PIPE(PAINTING) | 1 | 1 |
| 33 | MS-C5Q2-15 | GAS VALVE BRACKET | 2 | 2 |
| 34 | ZHAB 0408SZ | SCREW (M4x8 SW) | 4 | 4 |
| @ 35 | CB602-30-P | CARTON BOX PRINT RI-602 Di | 1 | 1 |
| 36 | CL3-522 | LAYER PAN SUPPORT RI-522/RI-602 | 1 | 1 |
| @ 37 | CL4-602x01 | LAYER SIDE RI-602 | 2 | 2 |



RI-602 Di



RI-602 Di

