

EXPLODED VIEW SPECIFICATION

PT. RINNAI INDONESIA

MODEL	:	RB-72S (LPG)
CUSTOMER	:	EXPORT / SINGAPORE
DATE	:	13-Mar-17

APPROVED	CHECKED	CHECKED	MAKE BY

RB-72S (LPG) => EXPORT / SINGAPORE

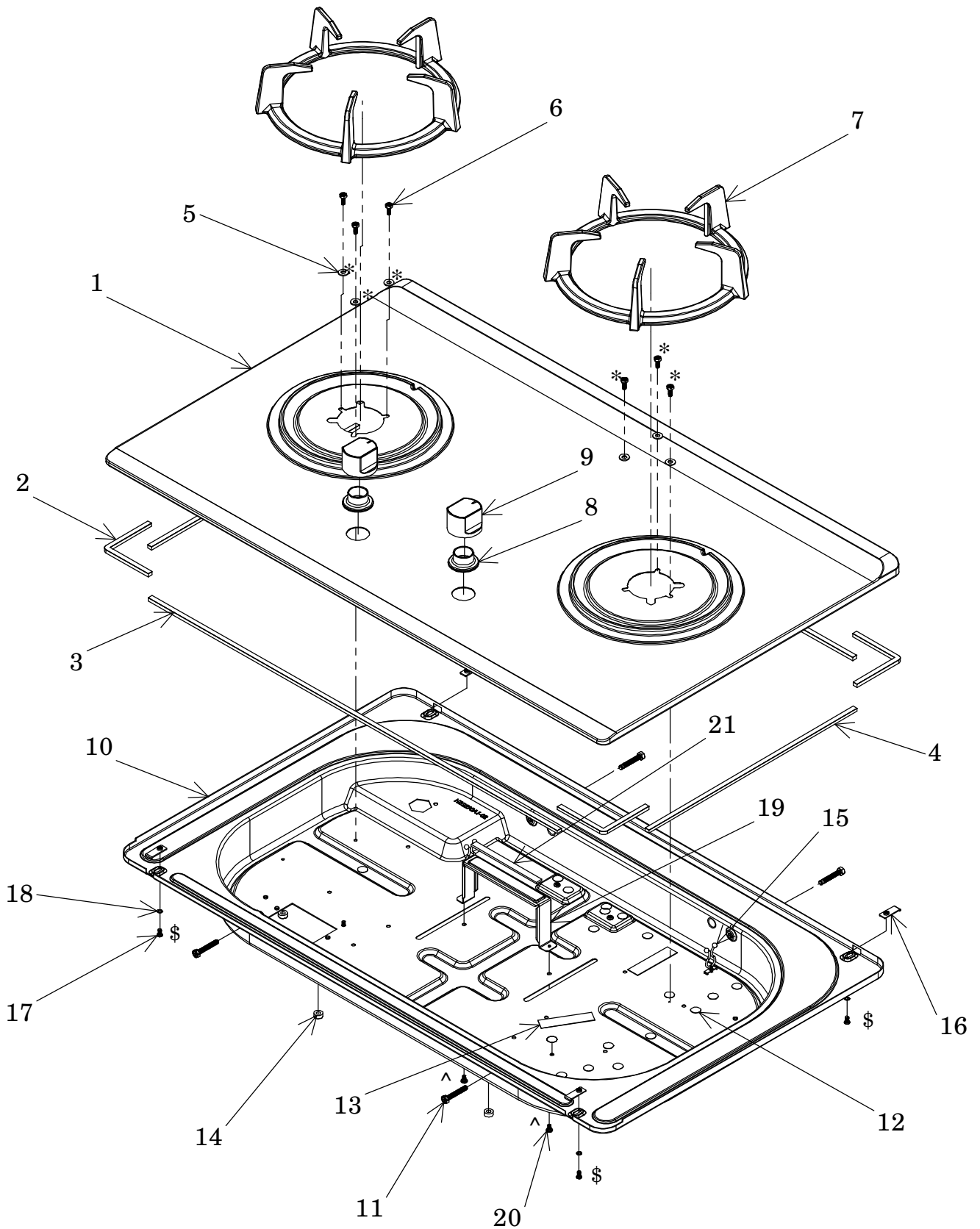
NO	PARTS NO	PARTS NAME	QT'Y
1	HZQ291A1-01	TOP PLATE (RB-72S)	1
2	HZQ288A1-16	TOP PLATE PACKING (CORNER)	4
3	HZQ288A1-16-630	TOP PLATE PACKING (L= 630)	2
4	HZQ288A1-16-330	TOP PLATE PACKING (L= 330)	2
5	V642-00-0	O RING PUSHING PLATE	6
6	* CP-21676-0410TK	SCREW (SUS304 M4x10x0,7)	8
7	HZQ288A1-03	PAN SUPPORT H	2
8	HZQ288A1-10	KNOB PACKING (SUS)	2
9	HZQ288A1-14-00A	KNOB ASSY (BAKELITE)	2
10	HZQ291A1-02	CASING (RB-72/73 SUS)	1
11	ZAA0530SZ	SCREW CASING (M5x30)	4
12	RH402583	BLIND SEAL (GREY) Ø11	23
13	RB-336-60	BLIND SEAL (GREY) L = 60	2
14	RB3G-272	CASING LOWER PACKING	5
15	HE29-05A	WIRE FIXER	3
16	HZQ032A1-07	TOP PLATE BRACKET	4
17	\$ V749-00-0	HEX SCREW (M4x6)	4
18	ZSCB04AK	WASHER	4
19	HZQ288A1-09	TOP PLATE (SUPPORT)	1
20	^ ZEAB 0406 SZ	SCREW (TS-B M4x6)	6
21	RB3G-225-100-4	SEAL PACKING (FOR TOP PLATE SUPPORT)	1
22	HZQ288A1-07	VENTURY SUPPORT (H)	2
23	HZQ288A1-08	GAS VALVE FIXING PLATE (SUPPORT)	1
24	90302155	POP RIVET	10
25	HZQ291A1-02-00	MANIFOLD PIPE ASSY (RB-72/PAINT)	1
26	AU19-113	HOSE END PACKING	1
27	HE21-13-01	HOSE END SET (LP SIN)	1
28	RIT 0045x01	MANIFOLD CAP	1
29	O ZIAD 0408 SZ	SCREW (M4x8)	4
30	C114K-3-6	SV GAS VALVE DOUBLE ASSY (NG)	2
31	RB2EH-238	GAS VALVE BRACKET	2
32	% ZHAA 0410 SZ	SCREW (M4x10 SW)	4
33	HZQ291A1-03	BURNER CONN TUBE (LEFT/ MAIN ASSY RB-72)	1
34	HZQ291A1-04	BURNER CONN TUBE (LEFT/ SIMMER ASSY RB-72)	1
35	HZQ291A1-05	BURNER CONN TUBE (RIGHT/ MAIN ASSY RB-72)	1
36	HZQ291A1-06	BURNER CONN TUBE (RIGHT/ SIMMER ASSY RB-72)	1
37	BG4-85x01	STOPPER RING	4
38	M10B-1-8	O-RING	4
39	RB2EH-230	CONN TUBE BRACKET (HS)	2

RB-72S (LPG) => EXPORT / SINGAPORE

NO	PARTS NO	PARTS NAME	QT'Y
40 @	ZBA 0408 SZ	SCREW (M4x8 FT)	2
41	HS088A2.0(Y.T)-A2	H BURNER BODY ASSY (LPG)	2
42	HS088A3-1(Y.T)	H BURNER HEAD (LPG)	2
43	HS088A4-1(Y.T)	SIMMER BURNER HEAD (H/LPG)	2
44	HS002A1-1-04-Y1	VENTURY BURNER (H)	2
45 #	CP-21591-3	SCREW (SWCH16A M4x12)	6
46 φ	ZBA 0410 SZ	SCREW (M4x10 FT)	2
47	HE12-04	DAMPER FIXER FOR H BURNER (SUS)	2
48	HE12-01F	DAMPER ASSY (FOR H BURNER)	2
49	HE12-01G	DAMPER ASSY (SIMMER FOR H BURNER)	2
50 Ω	FH0406MS	SCREW (COUNTERSUNK M4x6)	6
51	HE13-02A	DAMPER ASSY (SPRING)	4
52	HE14-10.Y095	MAIN NOZZLE (H BURNER DIA. 0.95/LPG)	2
53	HE14-03B.Y048	MAIN NOZZLE (H SIMMER DIA. 0.48/LPG)	2
54	HZQ288A1-11-450A	ELECTRODE ASSY FOR H BURNER (L=450)	2
55	HZQ253A1-16	ELECTRODE (BRASS SLEEVE)	2
56	HE28-02B	ELECTRODE (FIXER B)	2
57	C10A-84S-6X02	THERMOCOUPLE ASSY (L=350)	2
58	HZQ253A1-17	THERMOCOUPLE BRACKET (BRASS SLEEVE)	2
59	HZQ288A1-15	THERMOCOUPLE BRACKET (SCREW BRASS SLEEVE)	2
60	RB70-041	TC BRACKET	2
61	RB90-023-1	MAIN HARNESS RB-72/92	1
62	HE19-02A	BATTERY BOX	1
63 Y	9228474010	SCREW (M4x10 RH)	2
64	HZQ253A1-09	BATTERY BOX COVER	1
65	CP-90003-2X01	BATTERY	1
66	EI-203	SPARKER	1
67	CP-80452	SCREW (M4x10)	1
68	RB4E-191x01	SPARKER SHIELD PLATE	1
69	CB7273-2-P	CARTON BOX RB-72/73 (PRINT) EXPORT	1
70	RB70-037-1	STYROFOAM SET RB-72 SERIES	1
71	PKB161-901-1	PLASTIC COVER	1

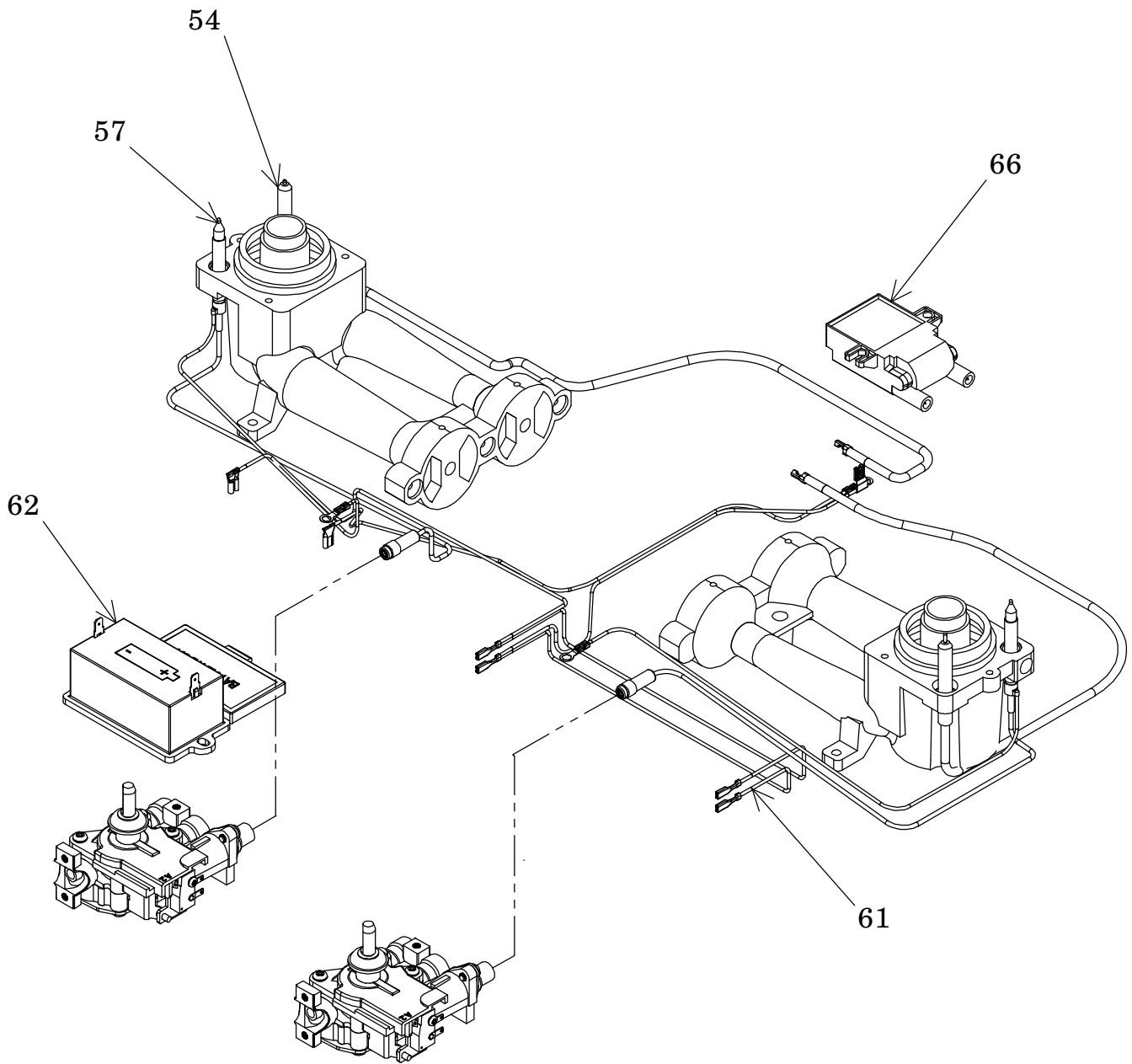
RB-72 (S) LPG

SINGAPORE



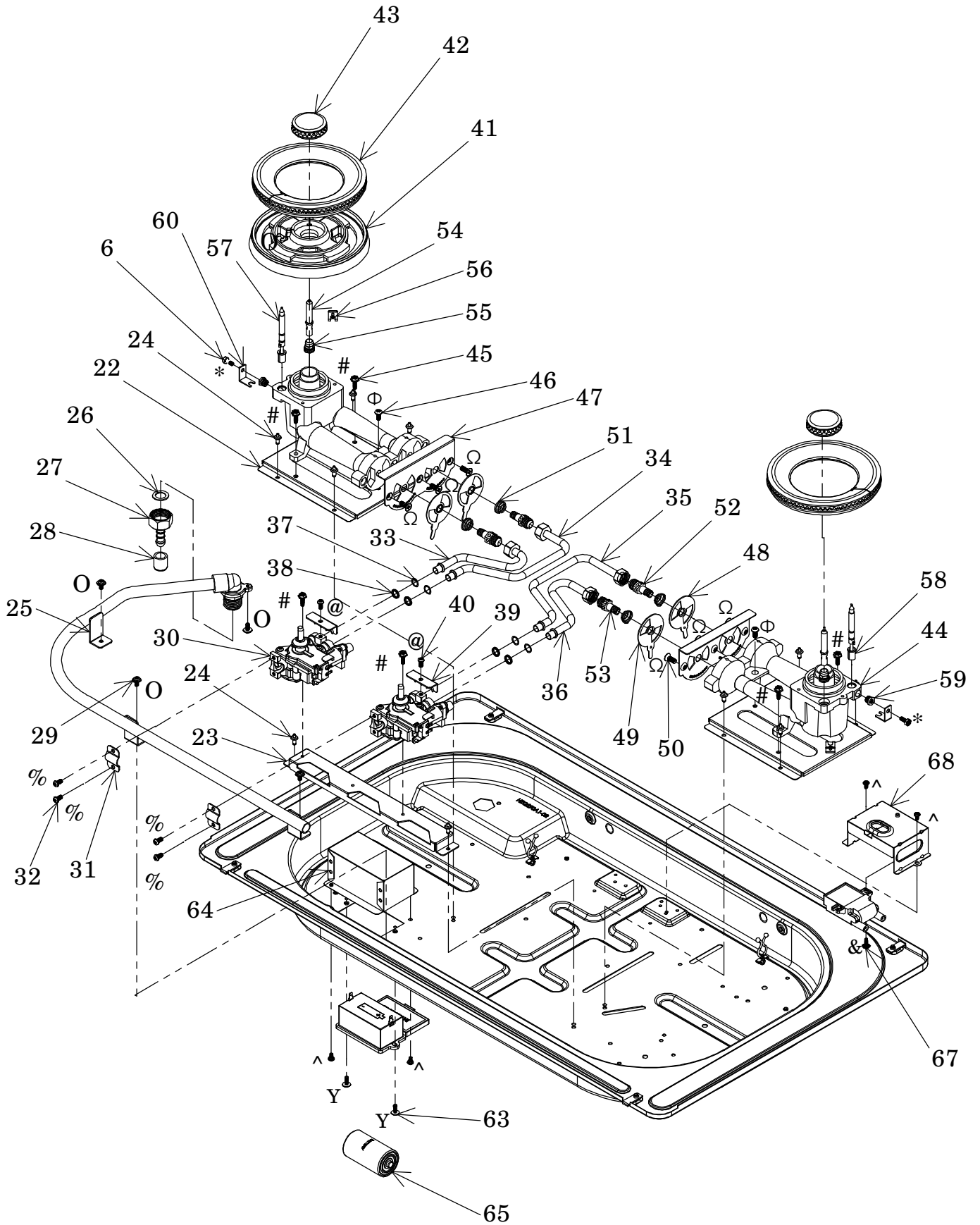
RB-72 (S) LPG

SINGAPORE



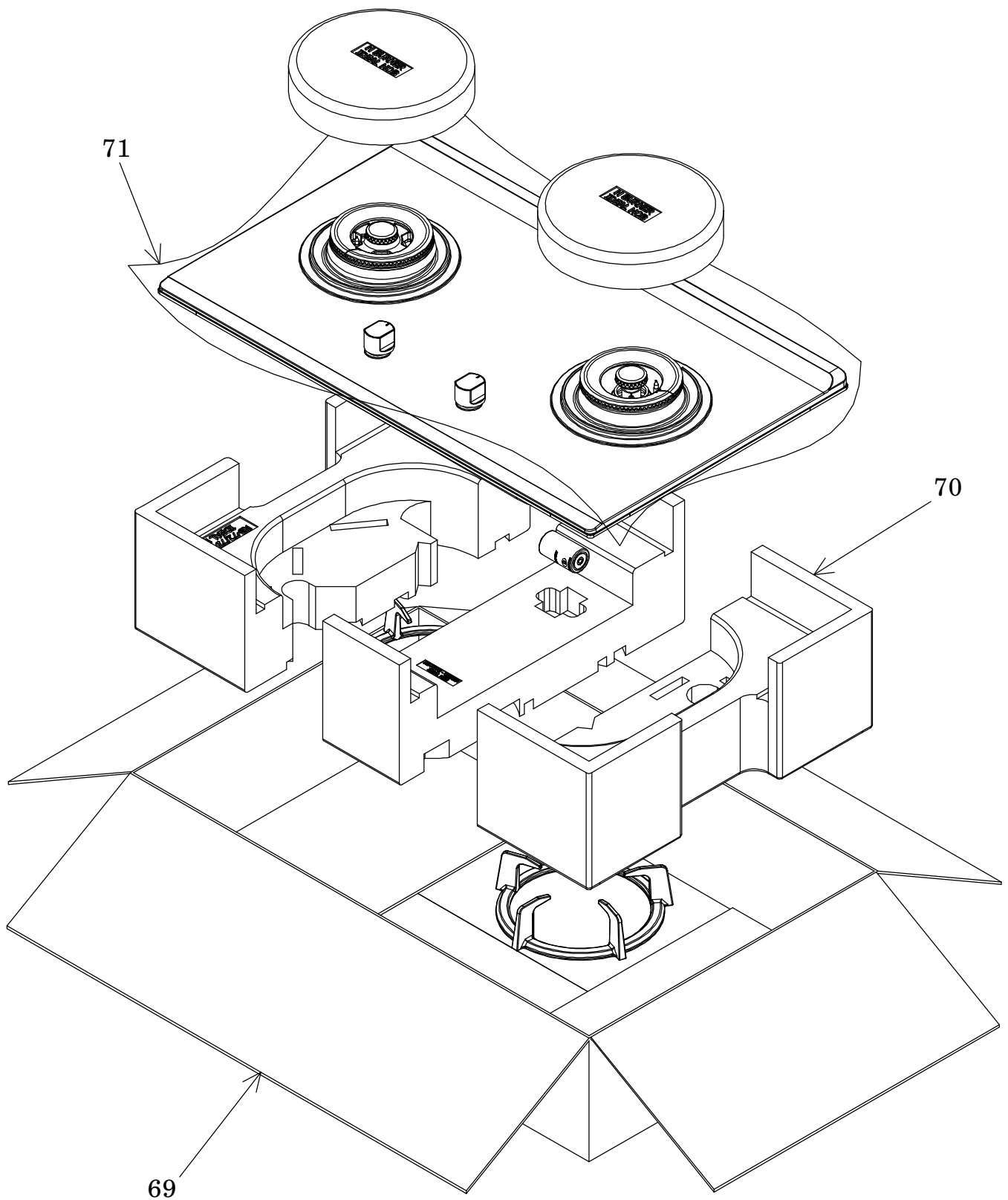
RB-72 (S) LPG

SINGAPORE



RB-72 (S) LPG

SINGAPORE



EXPLODED VIEW SPECIFICATION

PT. RINNAI INDONESIA

MODEL	:	RB-72S (NG)
CUSTOMER	:	EXPORT / SINGAPORE
DATE	:	13-Mar-17

APPROVED	CHECKED	CHECKED	MAKE BY

RB-72S (NG) => EXPORT / SINGAPORE

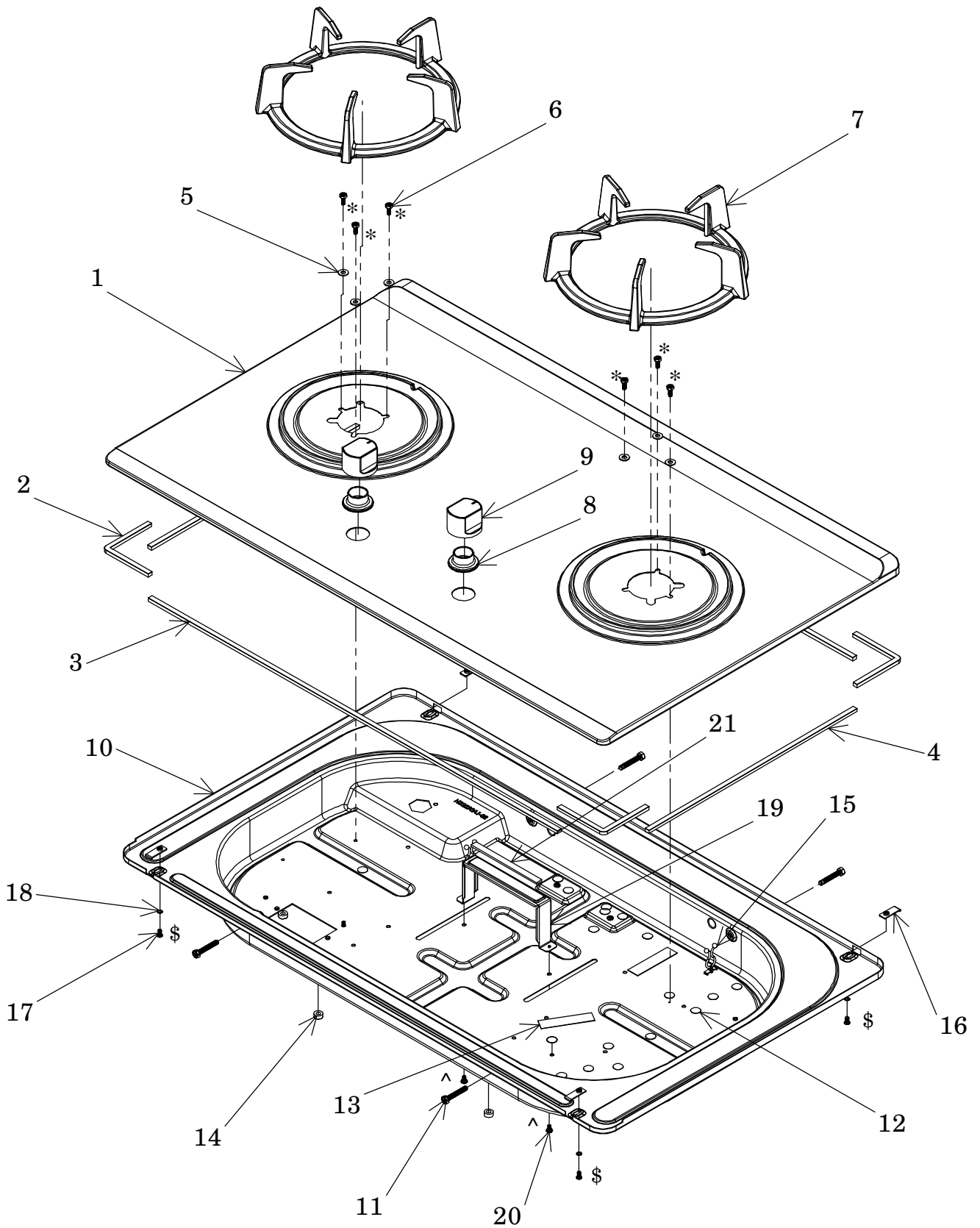
NO	PARTS NO	PARTS NAME	QT'Y
1	HZQ291A1-01	TOP PLATE (RB-72S)	1
2	HZQ288A1-16	TOP PLATE PACKING (CORNER)	4
3	HZQ288A1-16-630	TOP PLATE PACKING (L= 630)	2
4	HZQ288A1-16-330	TOP PLATE PACKING (L= 330)	2
5	V642-00-0	O RING PUSHING PLATE	6
6	* CP-21676-0410TK	SCREW (SUS304 M4x10x0,7)	8
7	HZQ288A1-03	PAN SUPPORT H	2
8	HZQ288A1-10	KNOB PACKING (SUS)	2
9	HZQ288A1-14-00A	KNOB ASSY (BAKELITE)	2
10	HZQ291A1-02	CASING (RB-72/73 SUS)	1
11	ZAA0530SZ	SCREW CASING (M5x30)	4
12	RH402583	BLIND SEAL (GREY) Ø11	23
13	RB-336-60	BLIND SEAL (GREY) L = 60	2
14	RB3G-272	CASING LOWER PACKING	5
15	HE29-05A	WIRE FIXER	3
16	HZQ032A1-07	TOP PLATE BRACKET	4
17	\$ V749-00-0	HEX SCREW (M4x6)	4
18	ZSCB04AK	WASHER	4
19	HZQ288A1-09	TOP PLATE (SUPPORT)	1
20	^ ZEAB 0406 SZ	SCREW (TS-B M4x6)	6
21	RB3G-225-100-4	SEAL PACKING (FOR TOP PLATE SUPPORT)	1
22	HZQ288A1-07	VENTURY SUPPORT (H)	2
23	HZQ288A1-08	GAS VALVE FIXING PLATE (SUPPORT)	1
24	90302155	POP RIVET	10
25	HZQ291A1-02-00	MANIFOLD PIPE ASSY (RB-72/PAINT)	1
26	AU19-113	HOSE END PACKING	1
27	HE21-05	HOSE END SET	1
28	HE21-06	HOSE END SET (NUT)	1
29	RIT 0045x01	MANIFOLD CAP	1
30	○ ZIAD 0408 SZ	SCREW (M4x8)	4
31	C114K-3-6	SV GAS VALVE DOUBLE ASSY (NG)	2
32	RB2EH-238	GAS VALVE BRACKET	2
33	% ZHAA 0410 SZ	SCREW (M4x10 SW)	4
34	HZQ291A1-03	BURNER CONN TUBE (LEFT/ MAIN ASSY RB-72)	1
35	HZQ291A1-04	BURNER CONN TUBE (LEFT/ SIMMER ASSY RB-72)	1
36	HZQ291A1-05	BURNER CONN TUBE (RIGHT/ MAIN ASSY RB-72)	1
37	HZQ291A1-06	BURNER CONN TUBE (RIGHT/ SIMMER ASSY RB-72)	1
38	BG4-85x01	STOPPER RING	4
39	M10B-1-8	O-RING	4

RB-72S (NG) => EXPORT / SINGAPORE

NO	PARTS NO	PARTS NAME	QT'Y
40	RB2EH-230	CONN TUBE BRACKET (HS)	2
41	@ ZBA 0408 SZ	SCREW (M4x8 FT)	2
42	HS088A2.0(Y.T)-A2	H BURNER BODY ASSY (LPG)	2
43	HS088A3-1(Y.T)	H BURNER HEAD (LPG)	2
44	HS088A4-1(Y.T)	SIMMER BURNER HEAD (H/LPG)	2
45	HS002A1-1-04-Y1	VENTURY BURNER (H)	2
46	# CP-21591-3	SCREW (SWCH16A M4x12)	6
47	φ ZBA 0410 SZ	SCREW (M4x10 FT)	2
48	HE12-04	DAMPER FIXER FOR H BURNER (SUS)	2
49	HE12-01F	DAMPER ASSY (FOR H BURNER)	2
50	HE12-01G	DAMPER ASSY (SIMMER FOR H BURNER)	2
51	Ω FH0406MS	SCREW (COUNTERSUNK M4x6)	6
52	HE13-02A	DAMPER ASSY (SPRING)	4
53	HE14-10.T145	MAIN NOZZLE (H BURNER DIA. 1.45/NG)	2
54	HE14-03B.T075	MAIN NOZZLE (H SIMMER DIA. 0.75/NG)	2
55	HZQ288A1-11-450A	ELECTRODE ASSY FOR H BURNER (L=450)	2
56	HZQ253A1-16	ELECTRODE (BRASS SLEEVE)	2
57	HE28-02B	ELECTRODE (FIXER B)	2
58	C10A-84S-6X02	THERMOCOUPLE ASSY (L=350)	2
59	HZQ253A1-17	THERMOCOUPLE BRACKET (BRASS SLEEVE)	2
60	HZQ288A1-15	THERMOCOUPLE BRACKET (SCREW BRASS SLEEVE)	2
61	RB70-041	TC BRACKET	2
62	RB90-023-1	MAIN HARNESS RB-72/92	1
63	HE19-02A	BATTERY BOX	1
64	Y 9228474010	SCREW (M4x10 RH)	2
65	HZQ253A1-09	BATTERY BOX COVER	1
66	CP-90003-2X01	BATTERY	1
67	EI-203	SPARKER	1
68	CP-80452	SCREW (M4x10)	1
69	RB4E-191x01	SPARKER SHIELD PLATE	1
70	CB7273-2-P	CARTON BOX RB-72/73 (PRINT) EXPORT	1
71	RB70-037-1	STYROFOAM SET RB-72 SERIES	1
72	PKB161-901-1	PLASTIC COVER	1

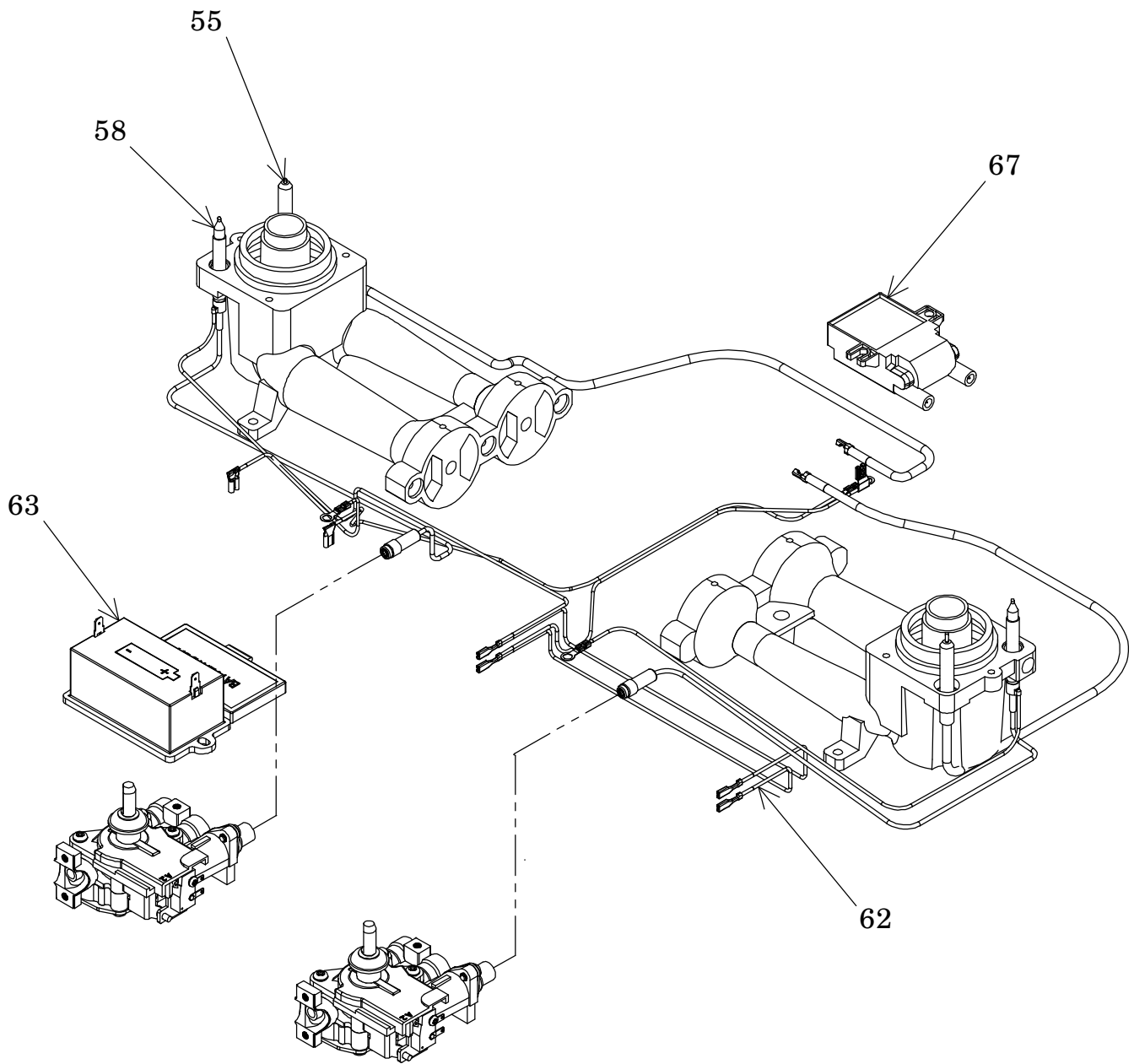
RB-72 (S) NG

SINGAPORE

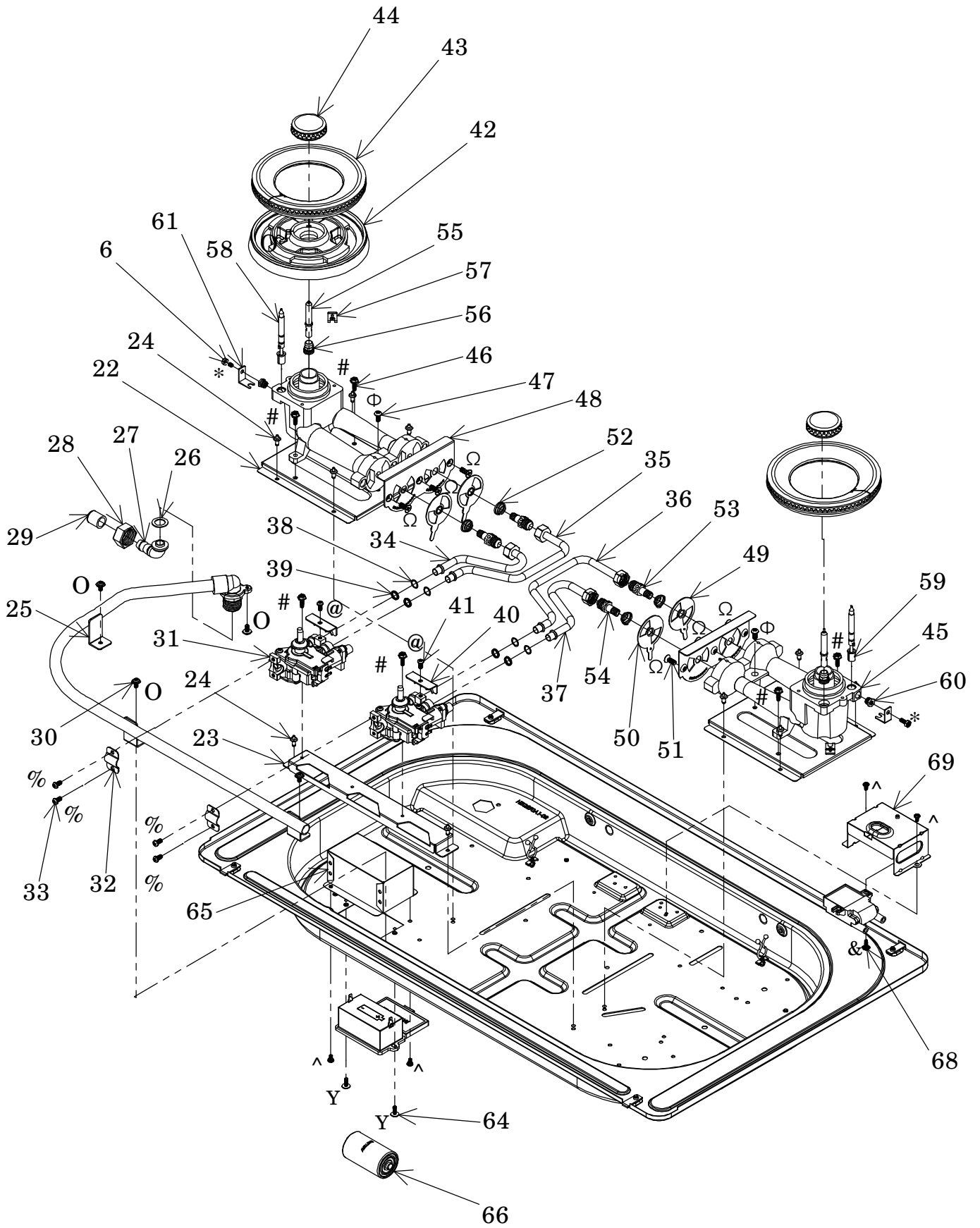


RB-72 (S) NG

SINGAPORE



RB-72 (S) NG
SINGAPORE



RB-72 (S) NG
SINGAPORE

