


EXPLODED VIEW SPECIFICATION

PT. RINNAI INDONESIA

| | |
|------------|----------------------|
| MODEL : | RB-712N-S (LPG/NG) |
| CUSTOMER : | MALAYSIA |
| DATE : | 12-Nov-10 |
| REMARKS : | @ NEW PARTS / MODIFY |
| | # SPECIAL PARTS RM |

| | | | |
|----------|---------|---------|--|
| APPROVED | CHECKED | CHECKED | MAKE BY |
| | | |  (SUWENDA) |

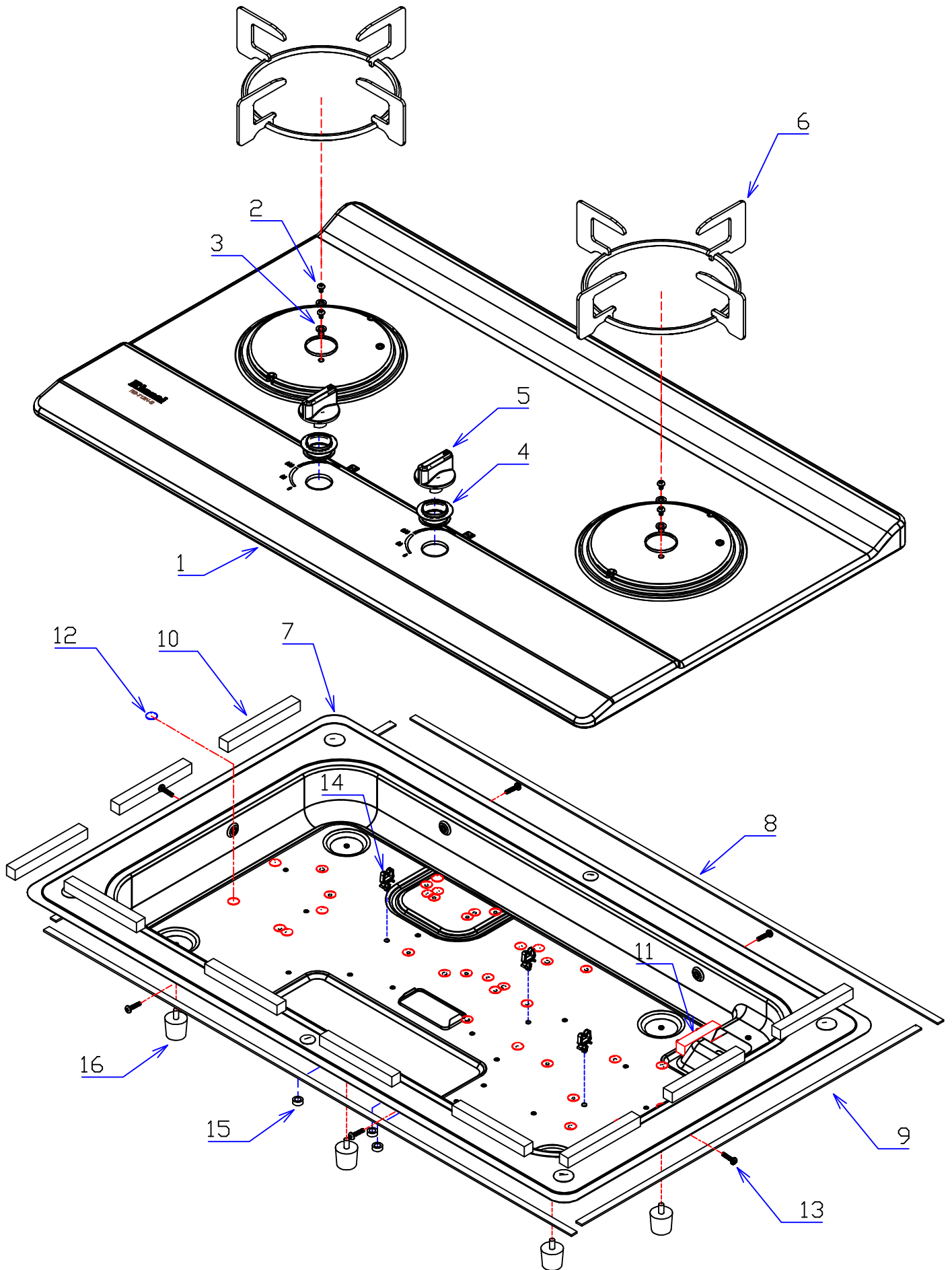
RB-712N-S (LPG/NG) => MALAYSIA

| NO | PART NUMBER | PART NAME | QTY | |
|------|--------------------|-------------------------------|-----|----|
| | | | LPG | NG |
| 1 | JK0010-021-2-PR | TOP PLATE (PRINT) | 1 | 1 |
| 2 | CP-21676-0406TK | SCREW | 6 | 6 |
| 3 | ZSCB04K | WASHER | 4 | 4 |
| 4 | JK0010-058 | KNOB PACKING | 2 | 2 |
| 5 | JK0010-037-1S | KNOB ASSY (SIL K) | 2 | 2 |
| 6 | JK0010-010 | PAN SUPPORT H ASSY (ENAMEL) | 2 | 2 |
| 7 | JK0010-020 | CASING (PAINT) | 1 | 1 |
| 8 | JK0010-028-3 | SEAL PACKING L. 800 | 2 | 2 |
| 9 | JK0010-028-4 | SEAL PACKING L. 360 | 2 | 2 |
| 10 | JK0010-028-5 | SEAL PACKING L. 100 | 10 | 10 |
| 11 | JK0010-028-6 | SEAL PACKING L. 50 | 3 | 3 |
| 12 | RH402583 | BLIND SEAL (GREY) Ø 11 | 40 | 40 |
| 13 | ZOAA0555SZ | SCREW CASING | 6 | 6 |
| 14 | CP-90107-26 | WIRE CLIP | 3 | 3 |
| 15 | RB3G-272 | CASING LOWER PACKING | 5 | 5 |
| 16 | RT-870-124 | RUBBER LEG ASSY | 4 | 4 |
| 17 | JK0010-029 | MANIFOLD PIPE (PAINT) | 1 | 1 |
| 18 | RB712-005 | HOSE END COVER (GEN) | 1 | 1 |
| 19 | RB2EH-229 | MANIFOLD BRACKET | 1 | 1 |
| 20 | JK0010-019 | MANIFOLD SUPPORT | 1 | 1 |
| 21 | CP-21580 | SCREW | 2 | 2 |
| 22 | RIT 0045x01 | MANIFOLD CAP | 1 | 1 |
| 23 | >> C001X-01000-2 | GAS VALVE ASSY (LPG+NG) 0.55 | 2* | |
| | >> C001X-01000-3 | GAS VALVE ASSY (NG) 0.85 | | 2* |
| 24 | JK0010-003A | BURNER CONN TUBE H ASSY (RHS) | 1 | 1 |
| 25 | JK0010-005A | BURNER CONN TUBE H ASSY (LHS) | 1 | 1 |
| 26 | >> JK0010-056-0.95 | MAIN NOZZLE Ø 0.95 | 2 | |
| | >> JK0010-055-1.35 | MAIN NOZZLE Ø 1.35 | | 2 |
| 27 | M10B-1-8 | O RING | 2 | 2 |
| 28 | BG4-85x01 | STOPPER RING | 2 | 2 |
| 29 | CP-30488x01 | CONN TUBE BRACKET | 2 | 2 |
| 30 | ZBA 0408 SZ | SCREW | 5 | 5 |
| 31 | RB2EH-238 | GAS VALVE BRACKET | 2 | 2 |
| 32 | ZHAB 0408 SZ | SCREW | 4 | 4 |
| 33 | JK0010-016 | GAS VALVE SUPPORT | 1 | 1 |
| 34 | JK0010-054 | GAS VALVE COVER | 1 | 1 |
| 35 | JK0010-040 | TOP PLATE SUPPORT | 2 | 2 |
| 36 | JK0010-006 | BURNER SUPPORT H | 2 | 2 |
| 37 | ZEAB 0406 SZ | SCREW | 19 | 19 |
| 38 | B2B148-03 | H BURNER BODY ASSY | 2 | 2 |
| 39 | B2B148-06 | NOZZLE HOLDER H | 2 | 2 |
| 40 | B2B148-01-F | H BURNER CAP (ENAMEL) | 2 | 2 |
| 41 | B2B148-02-F | SIMMER BURNER CAP (ENAMEL) | 2 | 2 |
| 42 | CP-21591x01 | SCREW (M4x10) | 2 | 2 |
| 43 | CP-21591-3 | SCREW (M4x12) | 4 | 4 |
| 44 | RB-339-1 | SPARKER | 1 | 1 |
| 45 | RB712-011-1 | HIGH VOLTAGE CORD ASSY | 1 | 1 |
| 46 | RB712-011-3 | HIGH VOLTAGE CORD ASSY | 1 | 1 |
| 47 | B2A117-6x02 | ELECTRODE | 2 | 2 |
| 48 | B2A1-5x02 | ELECTRODE COVER | 2 | 2 |
| 49 | B2B148-07 | ELECTRODE FIXING PLATE | 2 | 2 |
| 50 | JK0010-044 | SPARKER SHIELD PLATE ASSY | 1 | 1 |
| 51 | RB2EH-236-2x01 | BATTERY COVER | 1 | 1 |
| 52 | CP-90382x02 | BATTERY BOX ASSY | 1 | 1 |
| 53 | CP-90101-2 | BATTERY | 1 | 1 |
| 54 | RB712-001 | MAIN HARNESS ASSY | 1 | 1 |
| 55 | P201W48-2E100-7-P | CARTON BOX RB-712N (PRINT) | 1 | 1 |
| 56 | PL0004-50-2 | PLASTIC PACK 710 | 1 | 1 |
| 57 | RB712-007-1 | STYROFOAM SET RB-712N-S | 1 | 1 |
| 58 | RB3RHS-182 | POLYFOAM SHEET | 1 | 1 |
| # 59 | RB-321x01-E | WOK ADAPTOR (ENAMEL) RB-2GH | 1 | 1 |

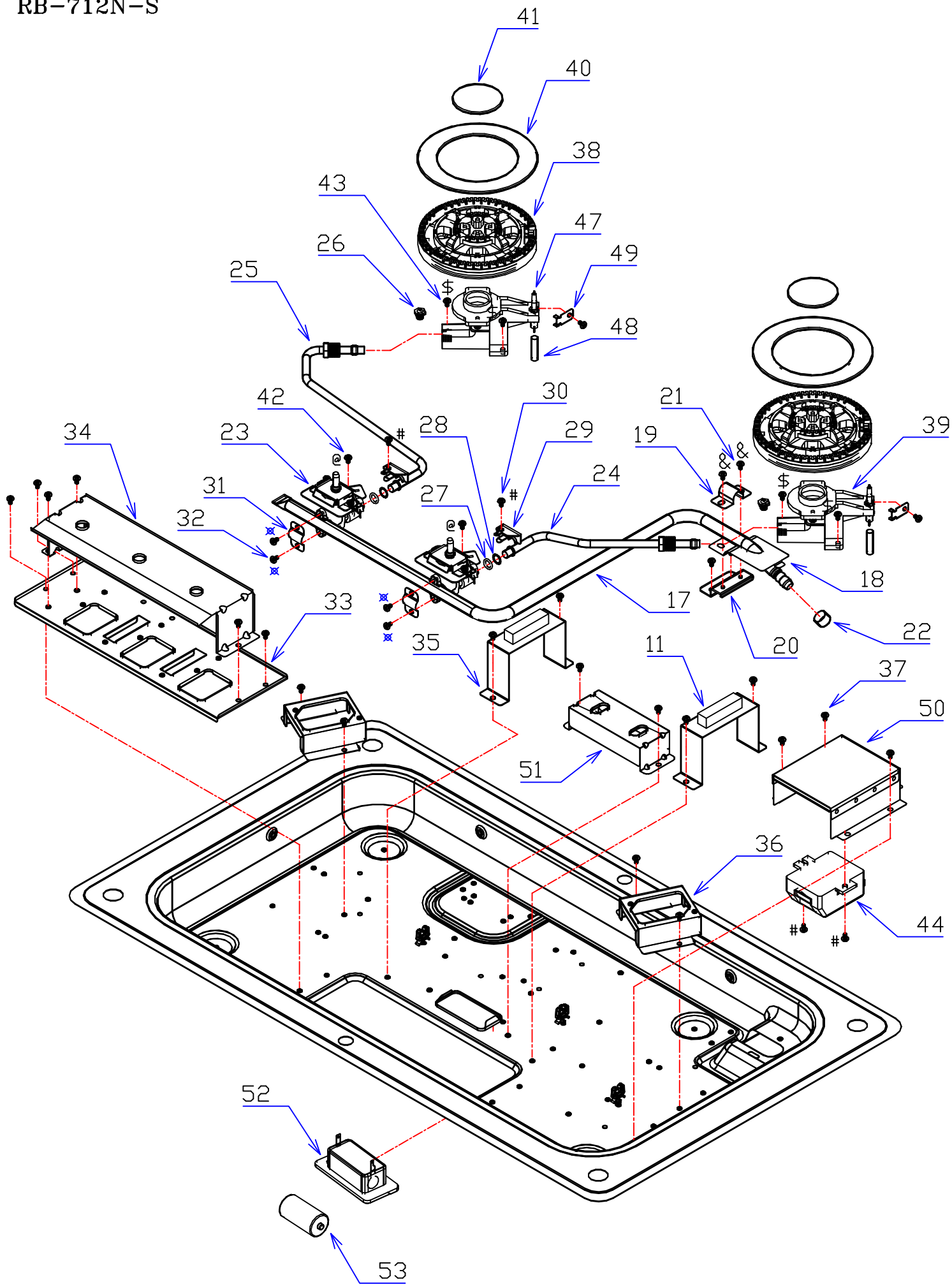
Note :

~ Gas Valve (2*) => included Rubber Packing.

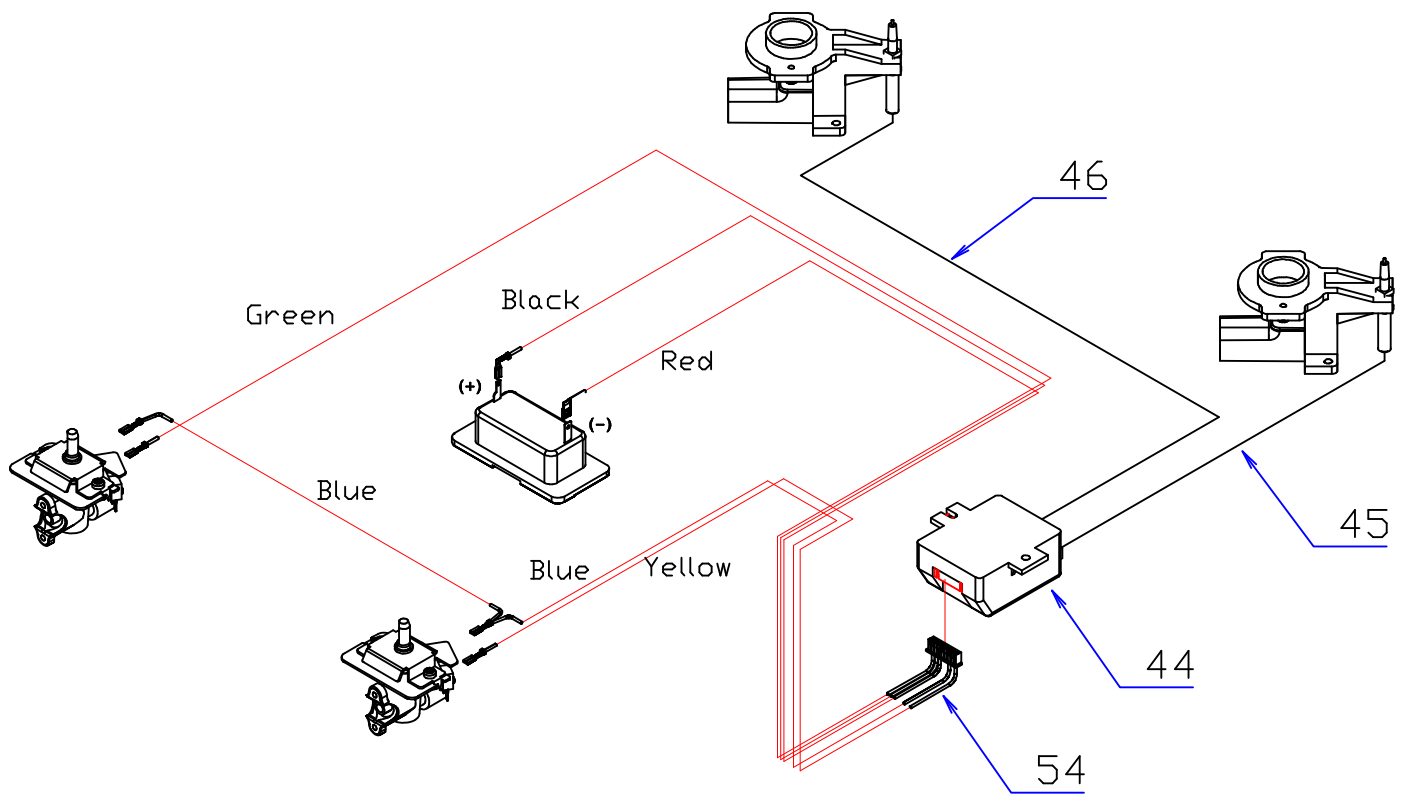
RB-712N-S



RB-712N-S



RB-712N-S



RB-712N-S

